

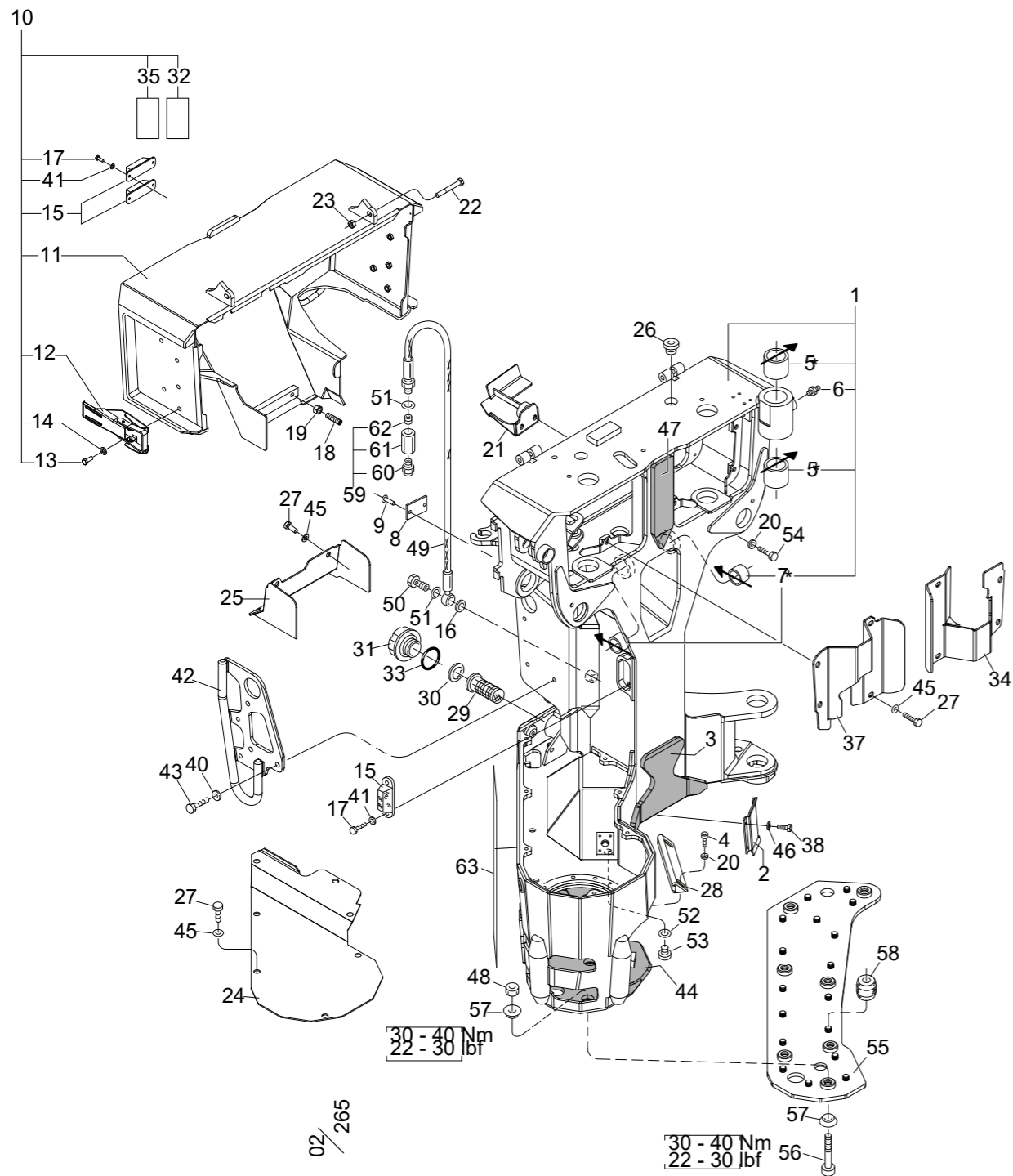
Log Max **4000T**

Spare part manual



www.logmax.com

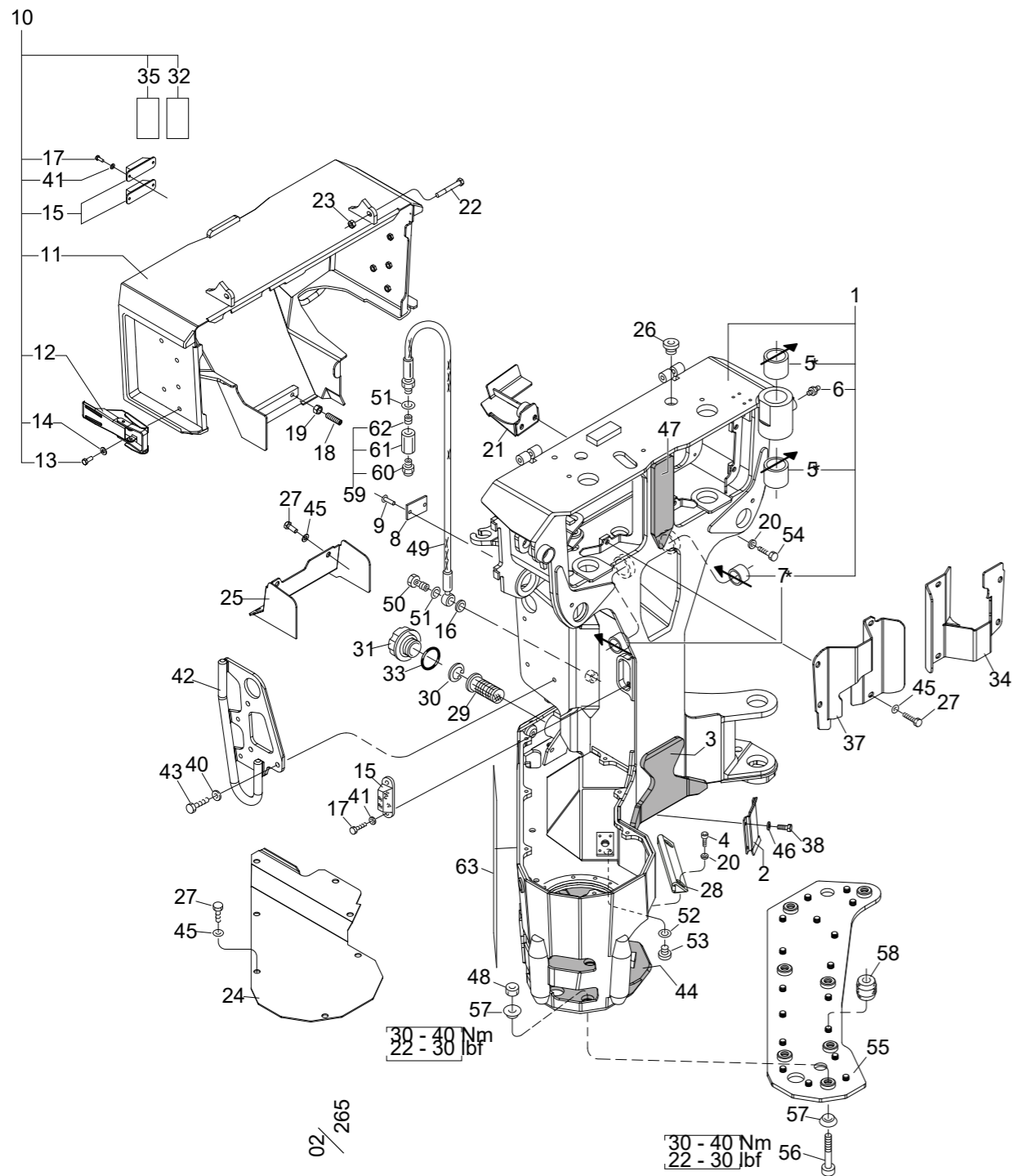
Ver. 1.3



* Loc-tite 603

Frame with protective cover

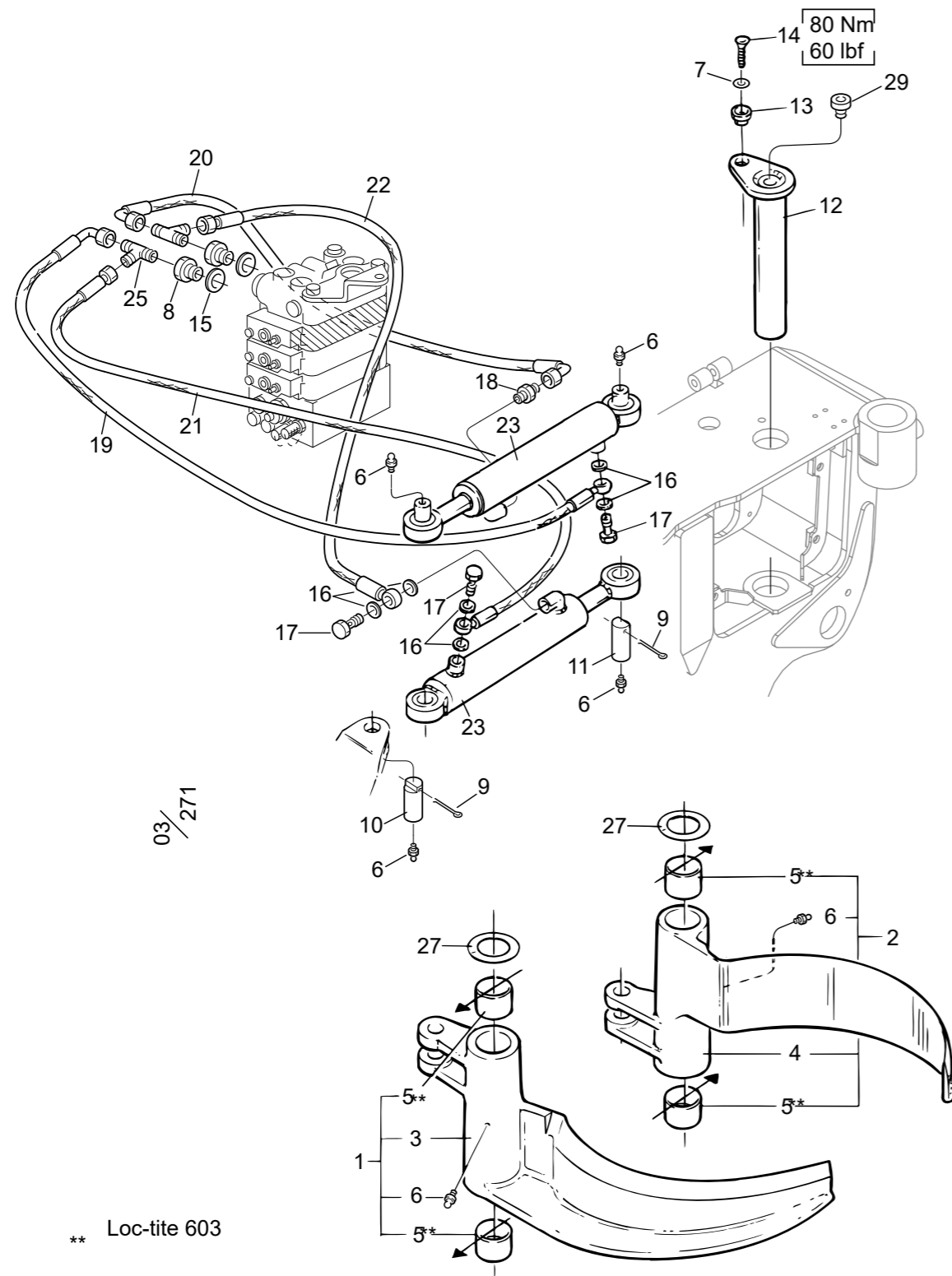
Structure 006700				
Pos.	Part no.	Quantity	Description	Specification
1	034601	1	Frame	
2	017630	1	Hose cover	
3	017508	1	Wear plate	
4	501087	2	Screw	M10x20 12.9
5	512024	2	Bushing	50x40
6	625000	3	Grease nipple	1/8"
7	512211	2	Bushing	35x20
8	016891	1	Plate	
9	500651	4	Screw	2,2x4,5
10	034633	1	Hood	
11	034630	1	Hood	
12	519058	4	Hood latch	
13	500042	12	Screw	M8x16 8.8 FZB
14	503055	12	Washer	NL8
15	012845	4	Rubber damper	
16	602114	1	Seal ring	1/4"
17	500022	8	Screw	M6x14 8.8 FZB
18	513052	2	Screw	M12x35
19	502056	2	Nut	M12
20	503057	4	Washer	NL10
21	017632	1	Cover	
22	500078	2	Screw	M10x75 8.8 FZB
23	502055	2	Nut	M10
24	017625	1	Cover	
25	017629	1	Cover	
26	017190	2	Hex plug	1"
27	500066	19	Screw	M10x20 8.8 FZB
28	016296	1	Cover	
29	015351	1	Filter	
30	517238	1	Circlip	SGH 45
31	013969	1	Filling cap	
32	519140	1	Decal	
33	543028	1	O-ring	Ø44,04x3,53



* Loc-tite 603

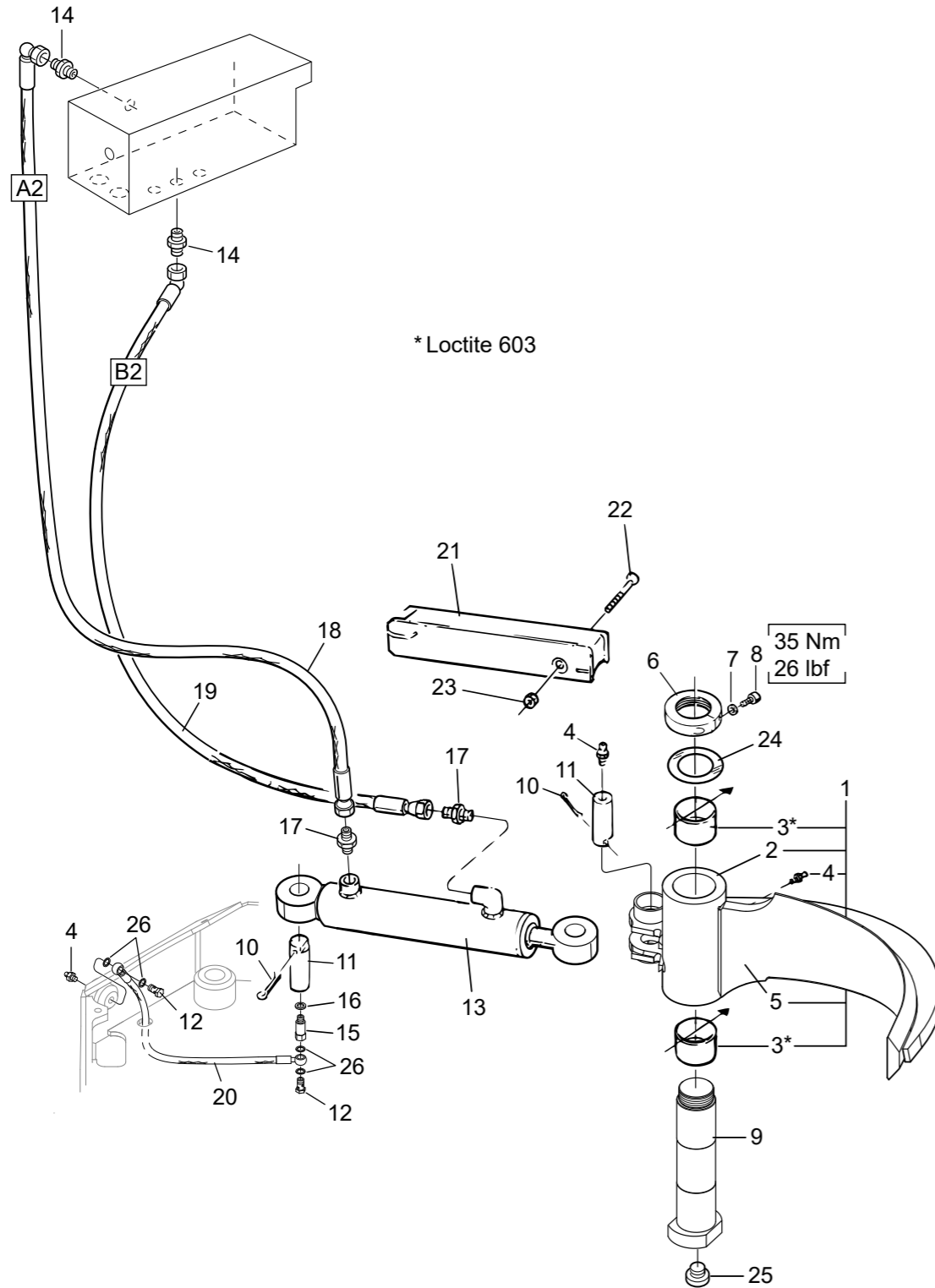
Structure 006700				
Pos.	Part no.	Quantity	Description	Specification
34	017623	1	Protective cover	
35	519141	1	Decal	
37	017624	1	Protective cover	
38	501044	4	Screw	M6x14 12.9
40	503060	3	Washer	NL12
41	503073	8	Washer	NL6
42	017717	1	Hose leader	
43	500090	3	Screw	M12x25 8.8 FZB
44	017541	1	Bottom plate	
45	503075	19	Washer	NL10
46	503065	4	Washer	NL6
47	017426	1	Wear plate	
48	502056	7	NNut	M12
49	647145	1	Hose	
50	601705	1	Banjo screw	1/4"
51	601200	2	Copper seal	13x19x1,5
52	601103	1	Bonded seal	1/2"
53	015642	1	Magnetic plug	1/2"
54	501090	2	Screw	M10x30 12.9
55	017128	1	Protective plate	
56	017856	7	Screw	M12x50 12.9
57	018058	14	Washer	M12
58	524025	17	Rubber damper	
59	015037	1	Bleeder plug	
60	011506	1	Bushing	1/4"
61	617016	1	Check valve	
62	602311	1	Filter plug	1/4"
63	519174	1	Decal	

Delimiting unit



Delimiting unit

Structure 006701				
Pos.	Part no.	Quantity	Description	Specification
1	034616	1	Delimiting knife	
2	034615	1	Delimiting knife	
3	017650	1	Delimiting knife	
4	017649	1	Delimiting knife	
5	512024	4	Bushing	50x40
6	625000	6	Grease nipple	1/8"
7	503060	2	Washer	1/2" - 1/4"
8	602059	4	Adapter	5x32 FZB
9	516001	2	Cotter pin	
10	011805	2	Pin	
11	011806	2	Pin	
12	012741	2	Pin	
13	013872	2	Circlip	
14	500091	2	Screw	M12x30 8.8 FZB
15	601103	6	Bonded seal	1/2"
16	601200	3	Copper seal	13x19x1,5
17	601704	1	Banjo screw	1/4"
18	601751	1	Adapter	BSP 1/4" - 9/16" ORFS
19	647131	1	Hydraulic hose	
20	647129	1	Hydraulic hose	
21	647132	1	Hydraulic hose	
22	647130	1	Hydraulic hose	
23	019006	2	Hydraulic cylinder	
25	601735	1	Adapter	BSP 1/4" - 9/16" ORFS
27	507024		Shim	52x65x0,5
27	507025		Shim	52x65x1,0
29	601003	2	Hex plug	1/2"

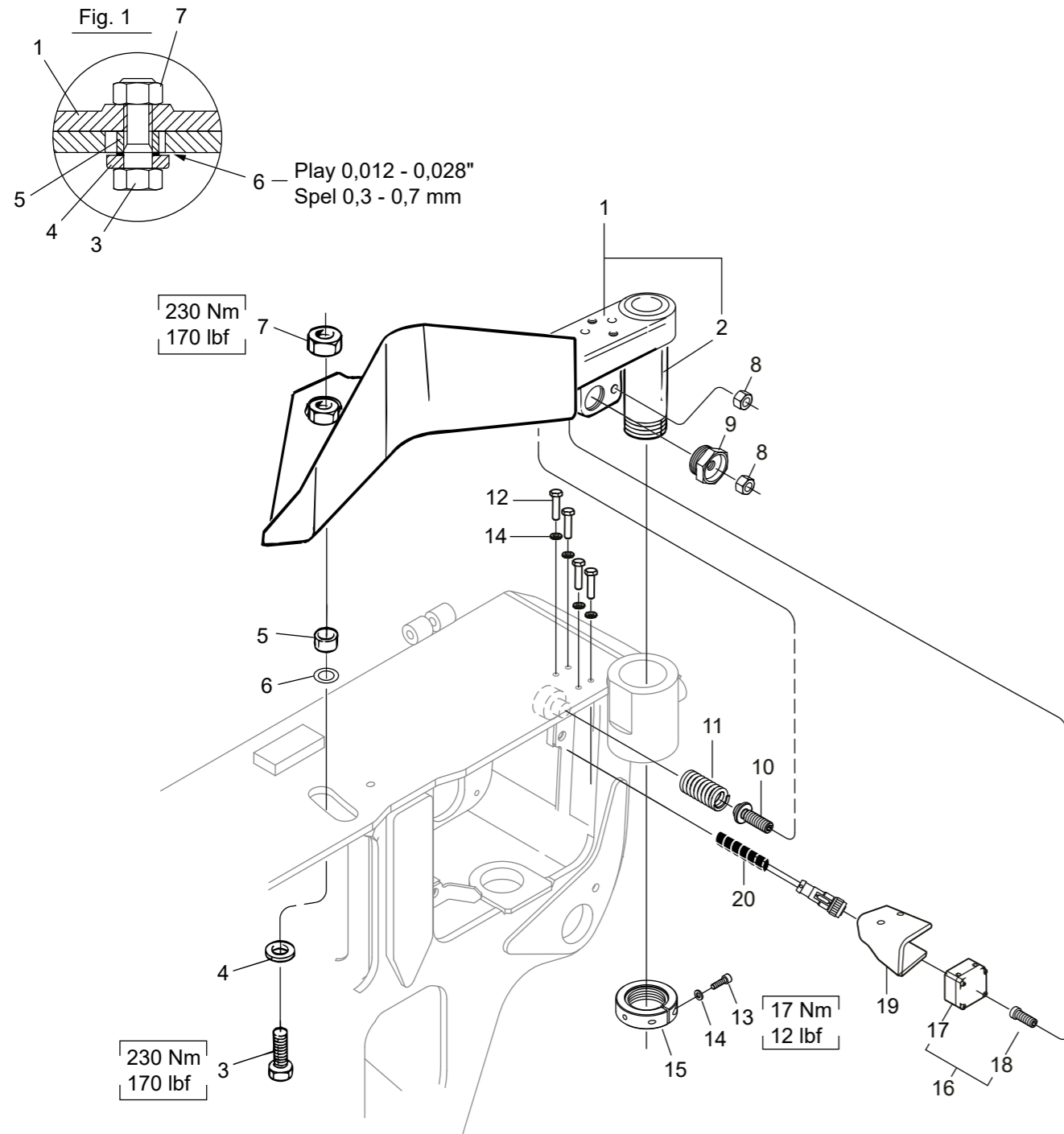


03/011

Log Max 4000T

Lower delimiting knife

Structure				
Pos.	Part no.	Quantity	Description	Specification
1	034605	1	Delimiting knife	
2	017554	1	Knife	
3	512024	2	Bushing	50x40
4	625000	3	Grease nipple	1/8"
5	017549	1	Knife blade	
6	016160	1	Threaded ring	M45x2
7	503065	1	Washer	NL6
8	501046	1	Screw	M6x20 12.9
9	017639	1	Pin	
10	516001	2	Cotter pin	5x32 FZB
11	011805	2	Pin	
12	601701	2	Banjo screw	1/8"
13	018986	1	Hydraulic cylinder	
14	601753	2	Adapter	BSP 3/8" - 9/16" ORFS
15	018060	1	Adapter	1/8" - 1/8"
16	601100	1	Bonded seal	1/8"
17	601750	2	Adapter	BSP 1/4" - 9/16" ORFS
18	647141	1	Hydraulic hose	
19	647140	1	Hydraulic hose	
20	647158	1	Hydraulic hose	
21	012121	1	Cylinder cover	
22	500077	1	Screw	M10x70 8.8 FZB
23	502055	1	Nut	M10
24	507024		Shim	52x65x0,5
24	507025		Shim	52x65x1,0
25	601003	1	Hex plug	1/2"
26	601203	4	Copper seal	10x14x1,0

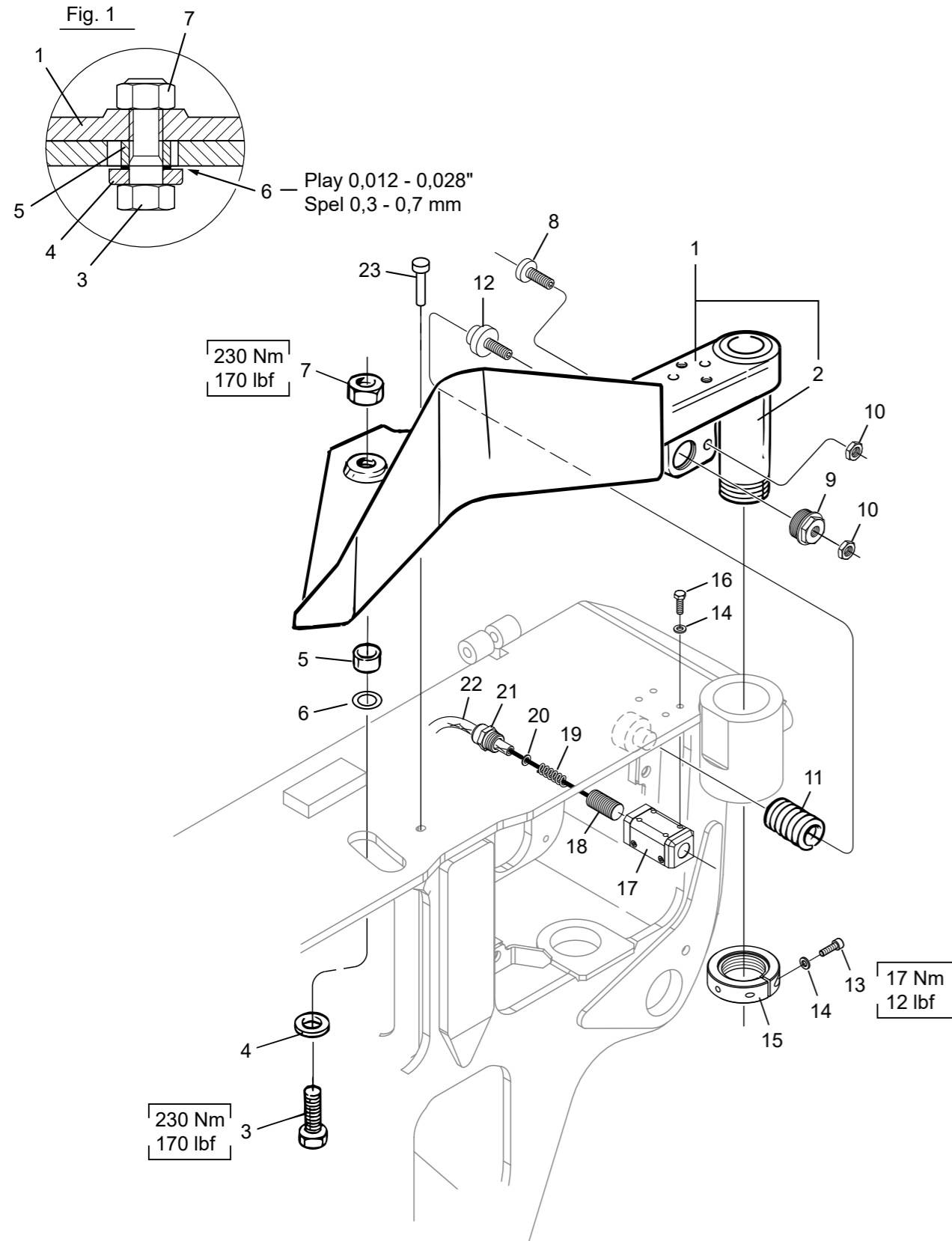


03/033

Log Max 4000T - Analog knife sensor

Upper delimiting knife, analog knife sensor

Structure 006703-2				
Pos.	Part no.	Quantity	Description	Specification
1	035120	1	Delimiting knife	
2	016192	1	Pin	
3	505052	1	Screw	M20x60 10.9
4	010652	1	Washer	
5	012232	1	Spacer	
6	507006		Shim	20x28x1,0
6	507007		Shim	20x28x0,5
7	502060	1	Nut	M20
8	502701	2	Nut	M12x1.25
9	017843	1	Plug	M28x2
10	017845	1	Adjuster screw	M12x1.25
11	526010	1	Spring	
12	500023	4	Screw	M6x16 8.8 FZB
13	501046	1	Screw	M6x20 12.9
14	503065	5	Washer	NL6
15	016160	1	Threaded ring	M45x2
16	401289	1	Magnetic sensor	
17	401288	1	Magnetic sensor	
18	514054	1	Magnetic screw	
19	018395	1	Protective plate	
20	615047	1	Protective hose	10x6,7



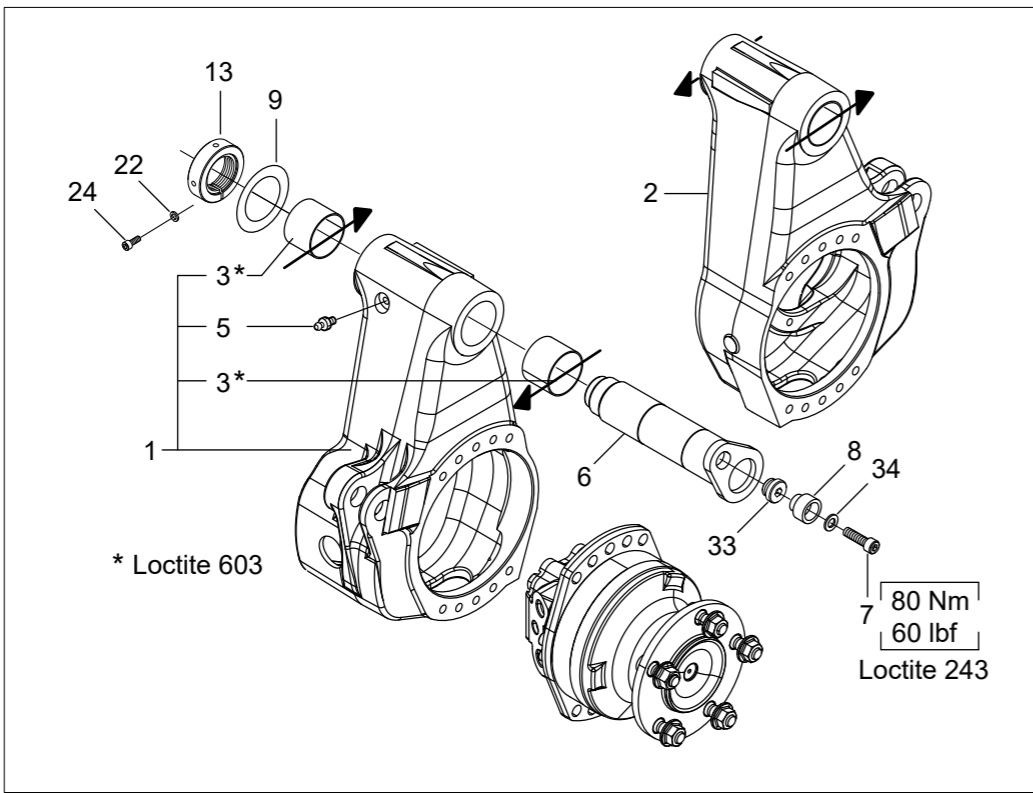
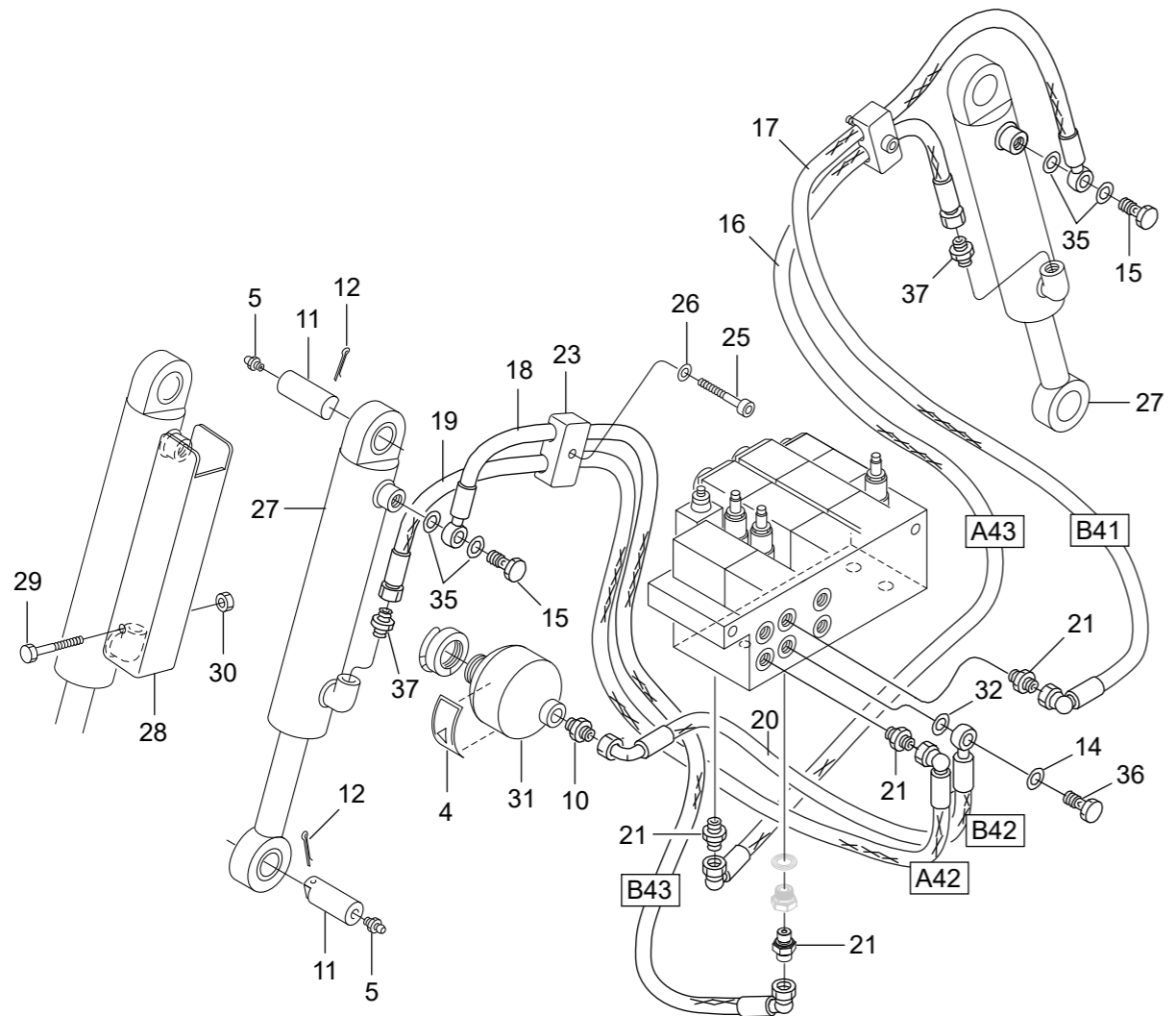
03 / 034

Log Max 4000T - Digital knife sensor

Upper delimiting knife, digital knife sensor

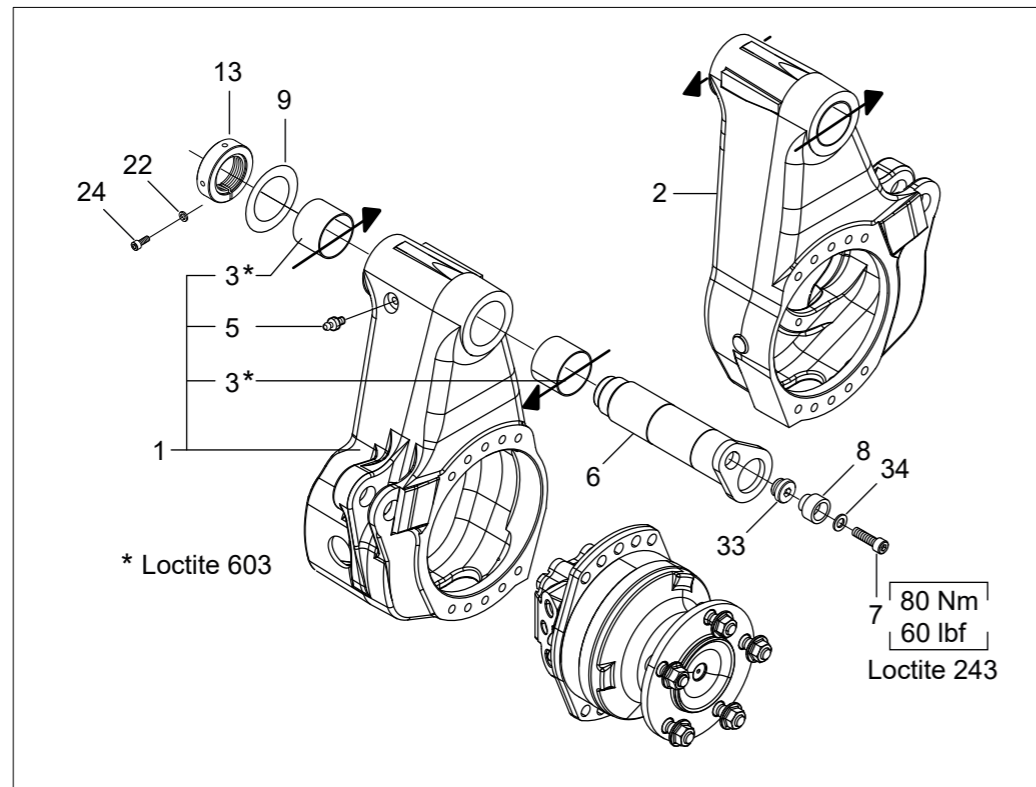
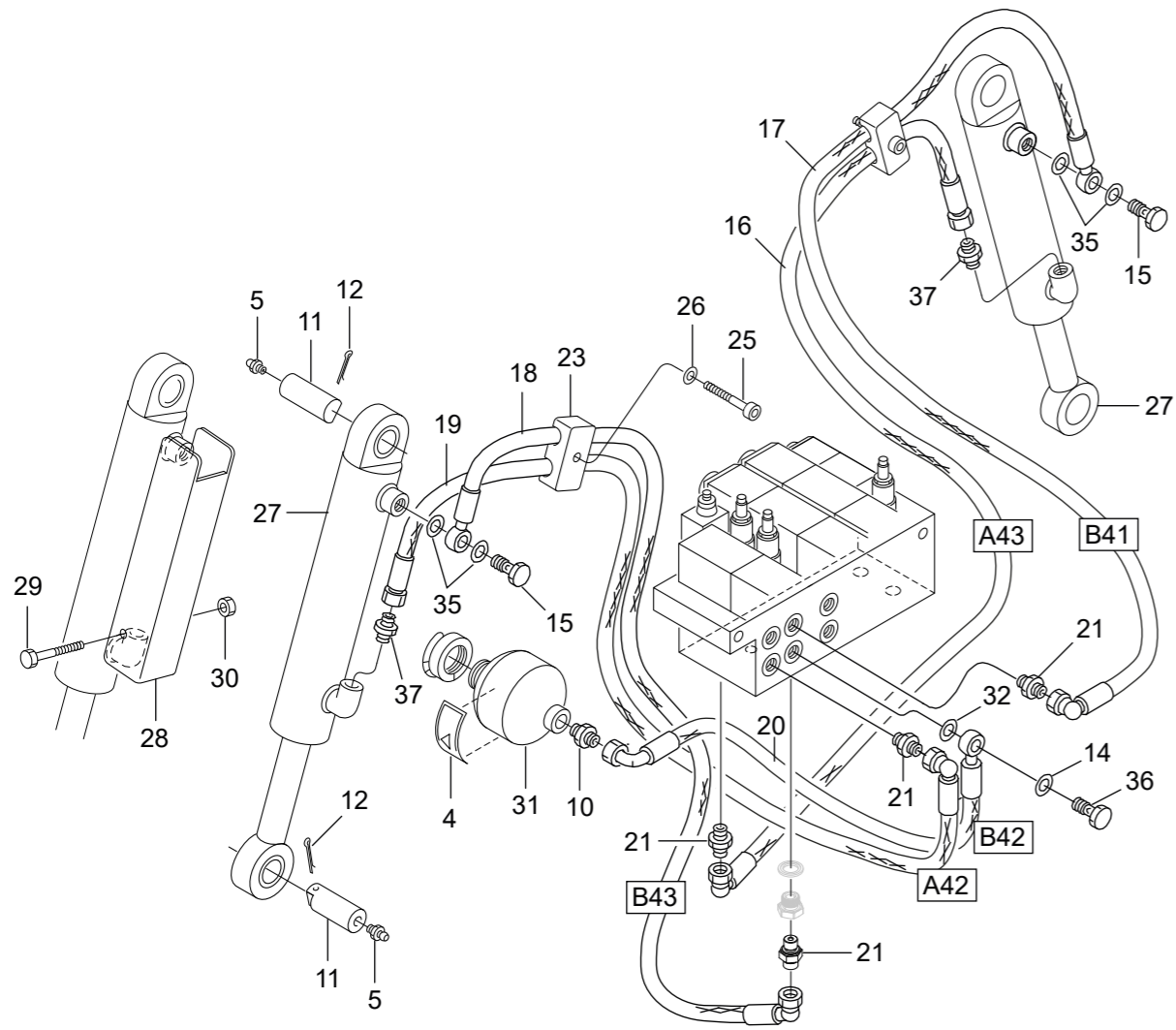
Structure 006703				
Pos.	Part no.	Quantity	Description	Specification
1	035120	1	Delimiting knife	
2	016192	1	Pin	
3	505052	1	Screw	M20x60 10.9
4	010652	1	Washer	
5	012232	1	Spacer	
6	507006		Shim	20x28x1,0
6	507007		Shim	20x28x0,5
7	502060	1	Nut	M20
8	016932	1	Sensor screw	M12x45
9	017843	1	Plug	M28x2
10	502701	2	Nut	M12x1,25
11	526010	1	Spring	
12	017845	1	Adjuster screw	M12x1,25
13	501046	1	Screw	M6x20 12.9
14	503065	5	Washer	NL6
15	016160	1	Threaded ring	M45x2
16	500023	4	Screw	M6x16 8.8 FZB
17	016930	1	Sensor holder	Ø16,5
18	401151	1	Sensor	
19	526012	1	Spring	
20	503004	1	Washer	FZB 6,4x12x1,5
21	401152	1	Cable sleeve	M20x1,5
22	615019	1	Hose	0,26m
23	500046	1	Screw	M8x30 8.8 FZB

Feeding unit

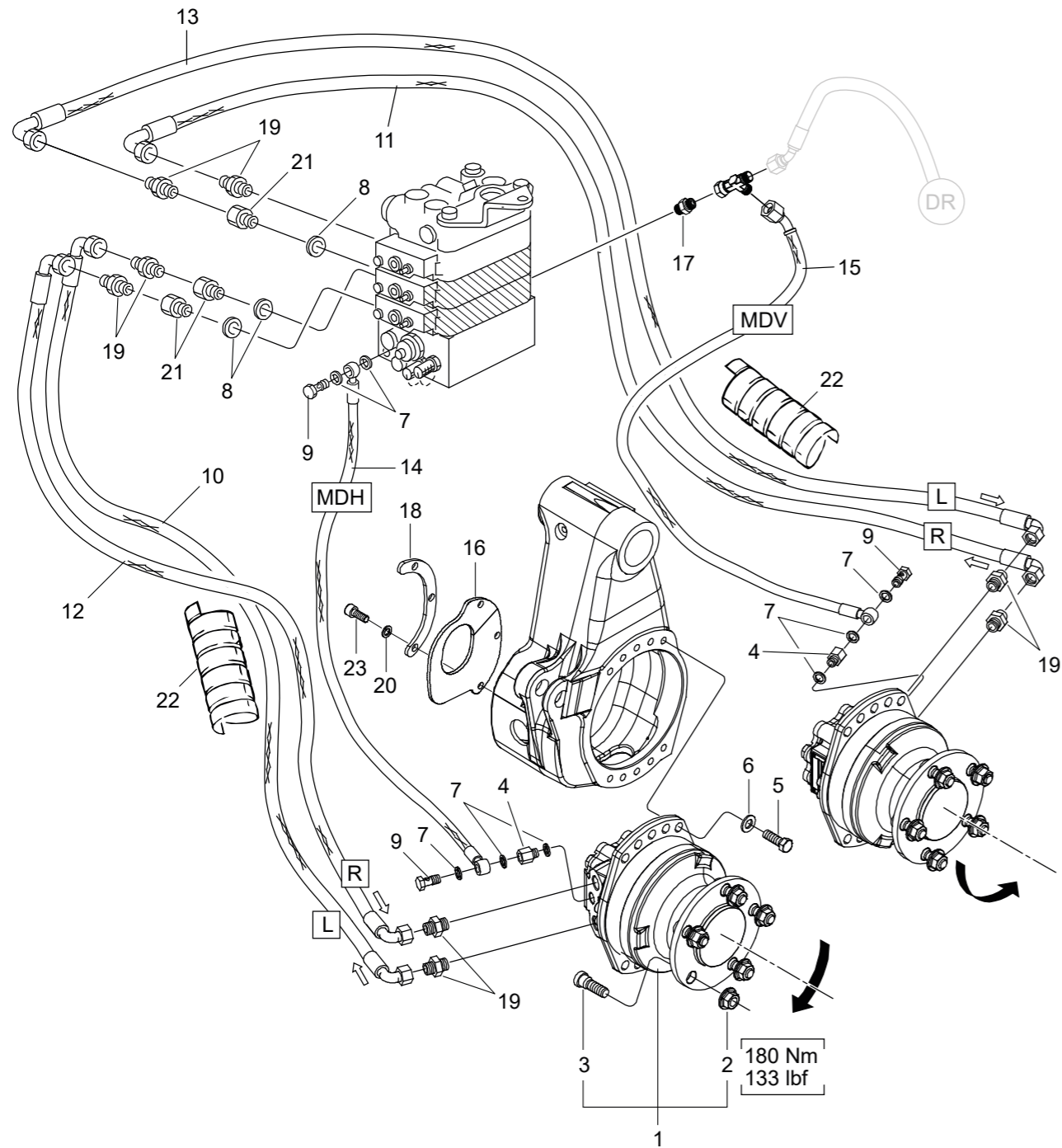


Feed roller arms #2

Structure 006705-2				
Pos.	Part no.	Quantity	Description	Specification
1	034636	1	Feed roller arm	
2	034635	1	Feed roller arm	
3	512024	4	Bushing	50x40
4	519111	1	Decal	
5	625000	6	Grease nipple	1/8"
6	017642	2	Pin	
7	500091	2	Screw	M12x30 8.8 FZB
8	013872	2	Circlip	
9	507024		Shim	52x65x0,5
9	507025		Shim	52x65x1,0
10	601757	1	Adapter	BSP 1/2" - 11/16" ORFS
11	011805	4	Pin	
12	516001	4	Cotter pin	5x32
13	016160	2	Threaded nut	M45x2
14	601102	1	Bonded seal	3/8"
15	601704	2	Banjo screw	1/4"
16	647133	1	Hydraulic hose	
17	647134	1	Hydraulic hose	
18	647139	1	Hydraulic hose	
19	647135	1	Hydraulic hose	
20	647257	1	Hydraulic hose	
21	601759	3	Adapter	BSP 1/2" - 1" ORFS
22	503065	2	Washer	NL6
23	016465	2	Clamp	1/4"
24	501046	2	Screw	M6x20 12.9
25	501072	2	Screw	M8x35 12.9
26	503055	2	Washer	NL8
27	018986	2	Hydraulic cylinder	
28	012121	2	Cover	
29	500077	2	Screw	M10x70 8.8 FZB
30	502055	2	Nut	M10
31	610120	1	Accumulator	0 bar
31	610114	1	Accumulator	85 bar



Structure				
Pos.	Part no.	Quantity	Description	Specification
32	602110	1	Seal ring	3/8"
33	601003	2	Hex plug	1/2"
34	503060	2	Washer	NL12
35	601200	4	Copper seal	13x19x1,5
36	601708	1	Banjo screw	3/8"
37	601750	2	Adapter	BSP 1/4" - 9/16" ORFS

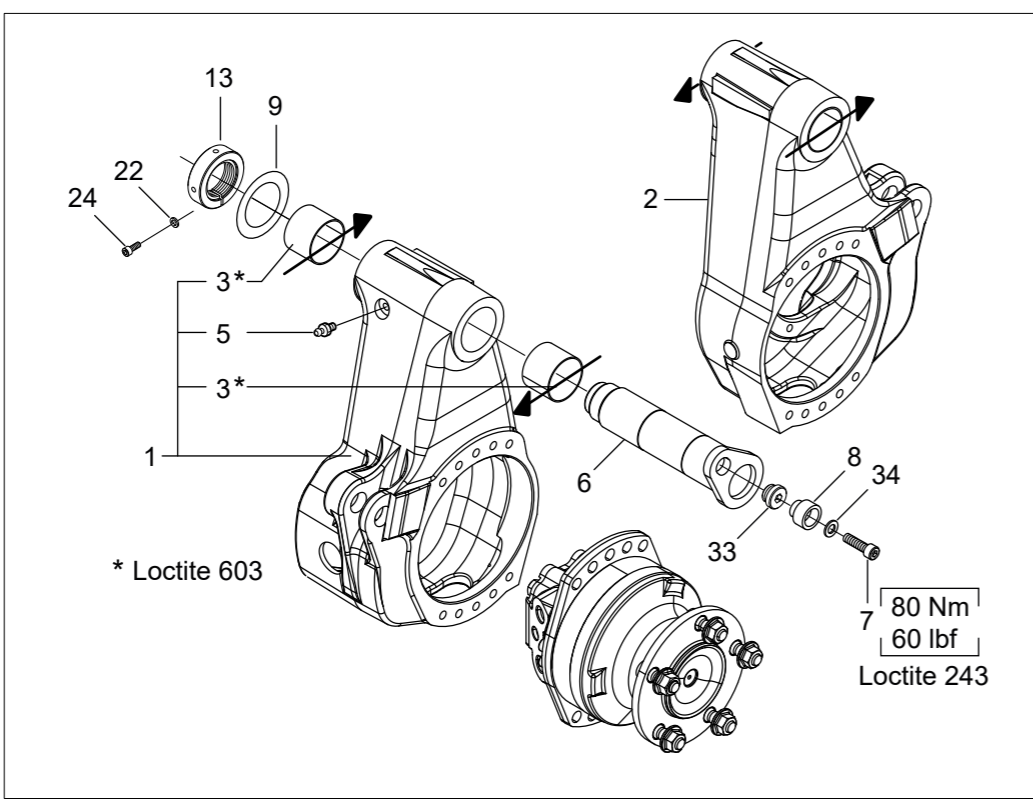
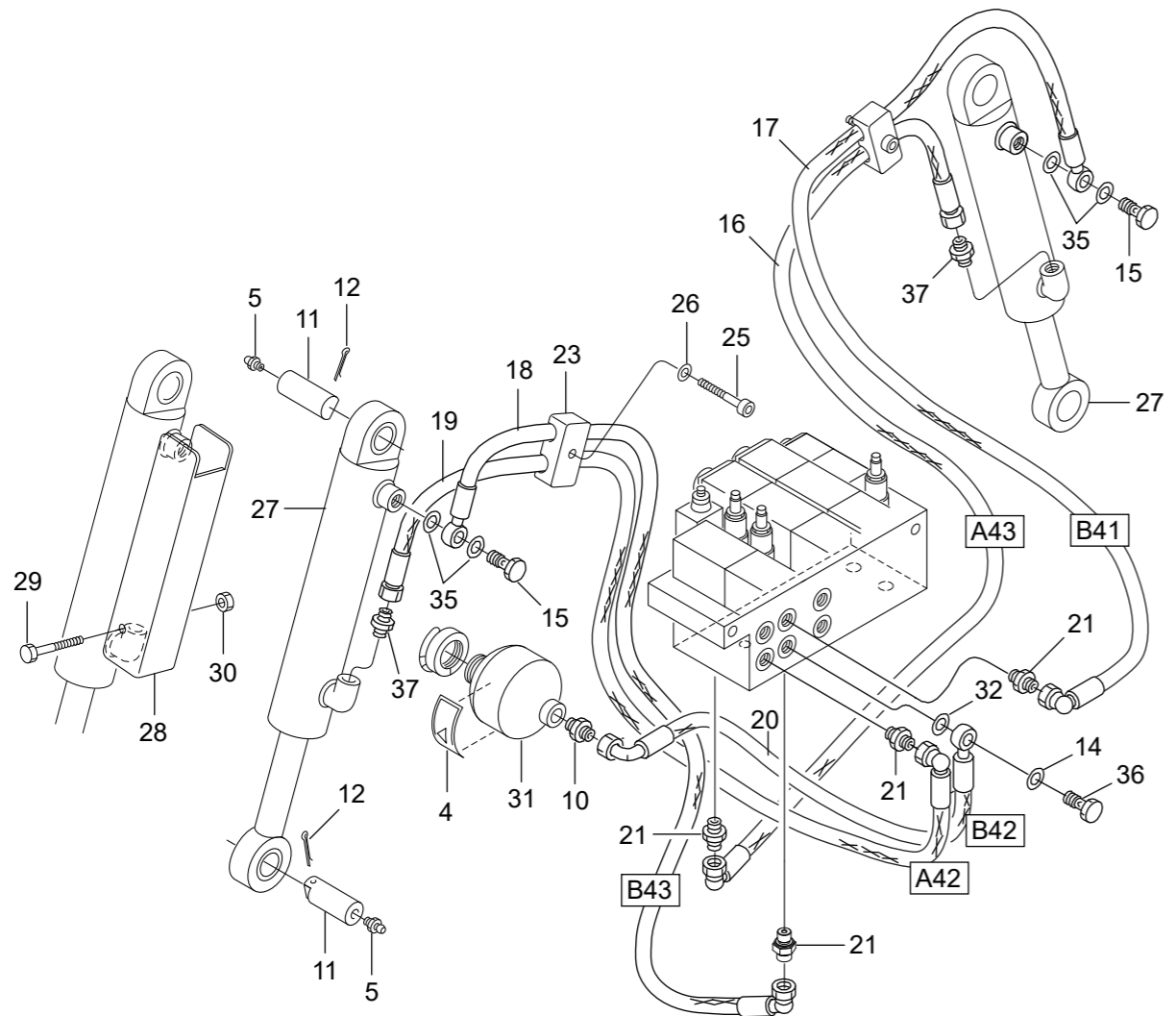


05/033

Log Max 4000T

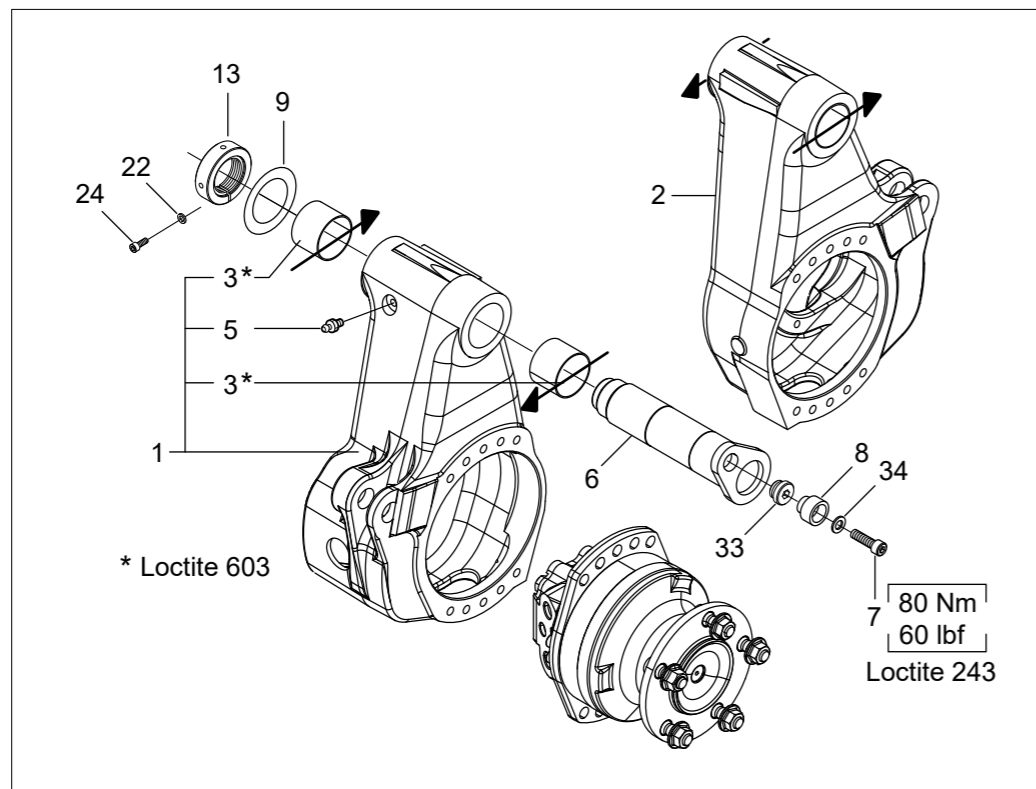
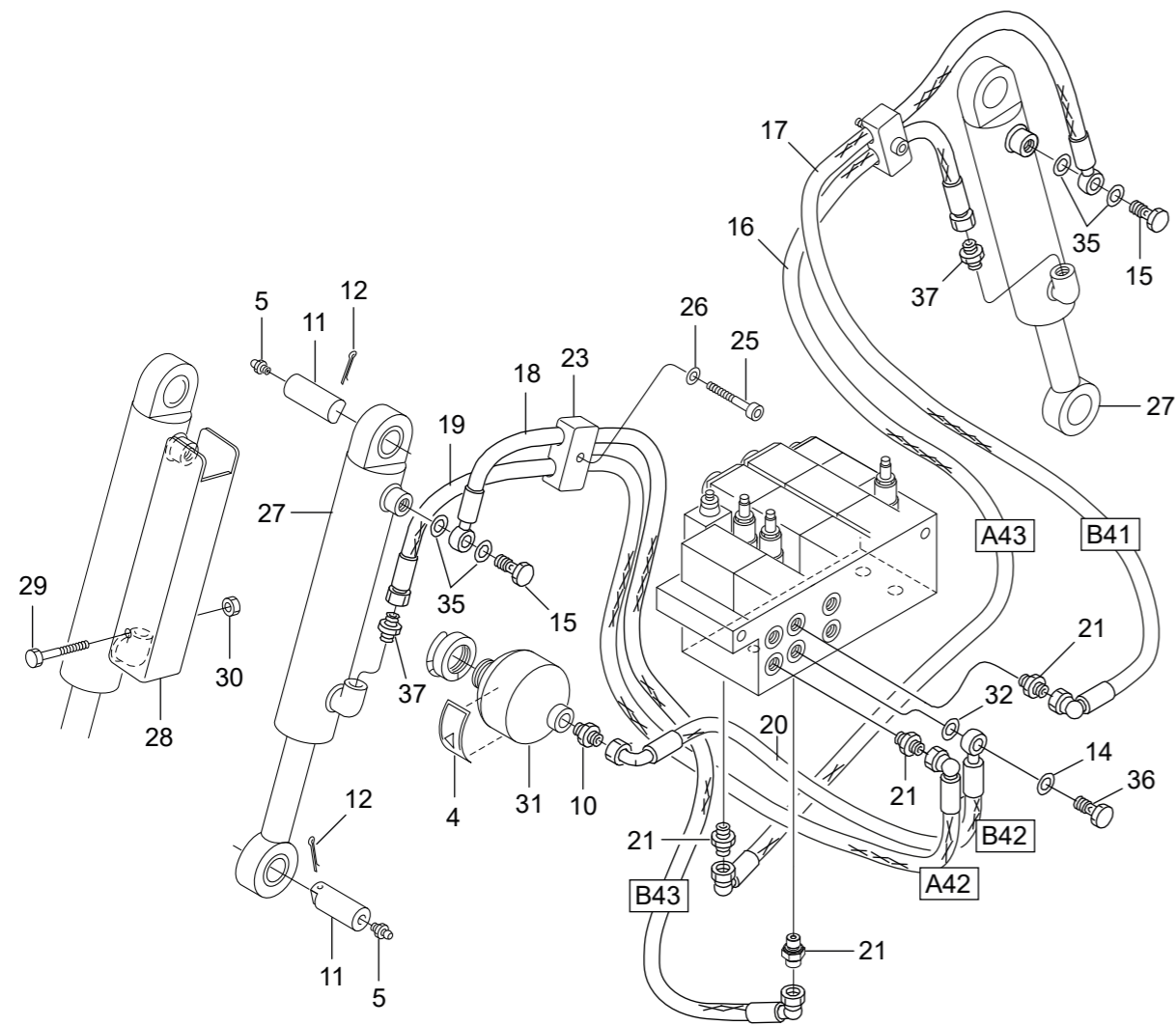
Feed roller motors #2

Structure 609043-2				
Pos.	Part no.	Quantity	Description	Specification
1	609043	2	Feed roller motor	398 ccm
2	537010	10	Wheel nut	
3	635102	10	Wheel stud	
4	602051	2	Adapter	3/8"
5	501110	20	Screw	M12x35 12.9
6	503060	20	Washer	NL12
7	601102	8	Bonded seal	3/8"
8	601103	3	Bonded seal	1/2"
9	601708	3	Banjo screw	3/8"
10	647164	1	Hydraulic hose	
11	647165	1	Hydraulic hose	
12	647163	1	Hydraulic hose	
13	647162	1	Hydraulic hose	
14	647151	1	Hydraulic hose	
15	647258	1	Hydraulic hose	
16	017739	2	Rubber sheet	
17	601754	1	Adapter	BSP 3/8" - 11/16" ORFS
18	017738	2	Bracket	
19	601759	8	Adapter	BSP 1/2" - 1" ORFS
20	503057	6	Washer	NL10
21	013805	3	Adapter	1/2"
22	615051	2	Hose cover	2"
23	500068	6	Screw	M10x25 8.8 FZB

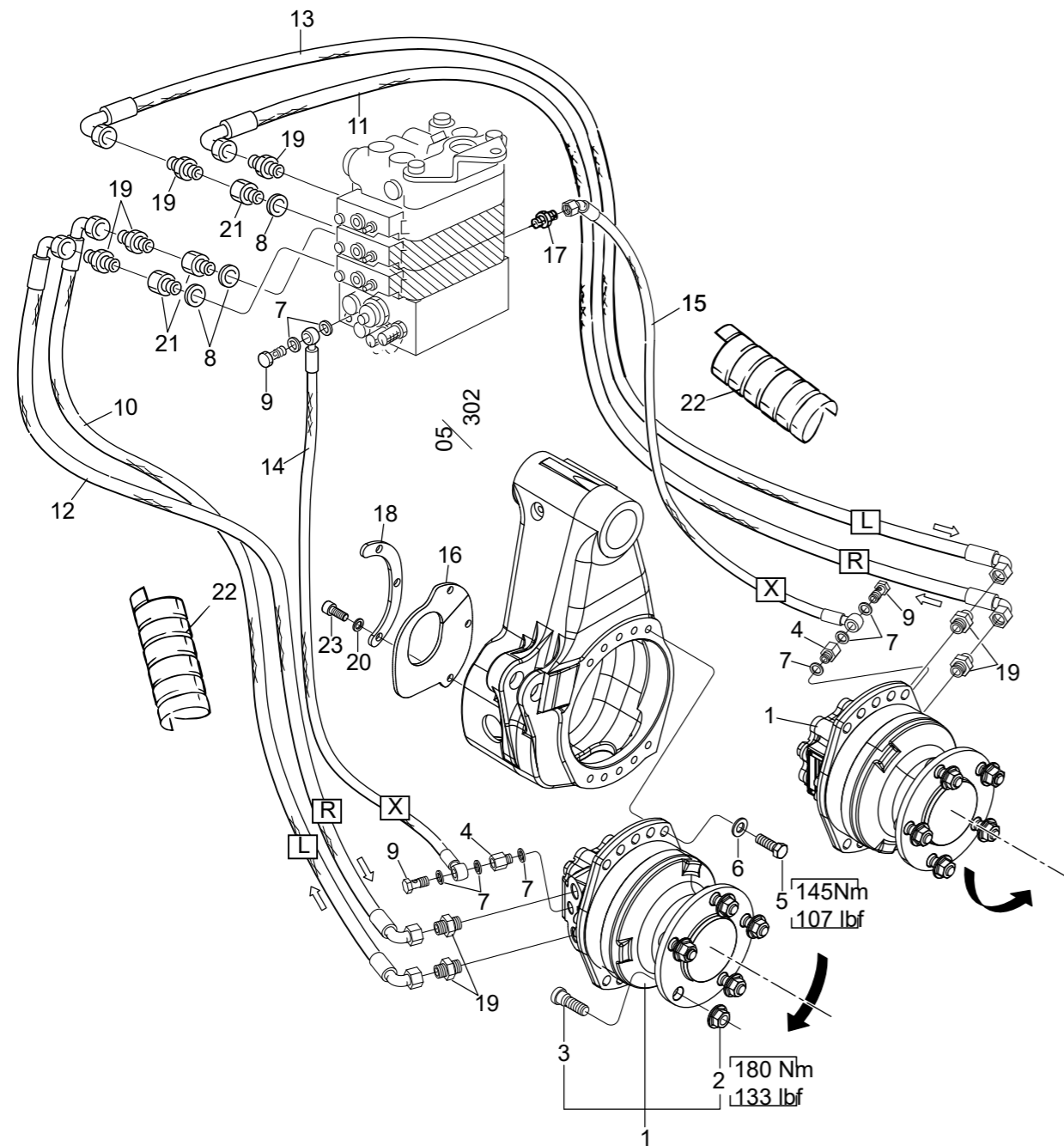


Feed roller arms

Structure 006705				
Pos.	Part no.	Quantity	Description	Specification
1	034636	1	Feed roller arm	
2	034635	1	Feed roller arm	
3	512024	4	Bushing	50x40
4	519111	1	Decal	
5	625000	6	Grease nipple	1/8"
6	017642	2	Pin	
7	500091	2	Screw	M12x30 8.8 FZB
8	013872	2	Circlip	
9	507024		Shim	52x65x0,5
9	507025		Shim	52x65x1,0
10	601757	1	Adapter	BSP 1/2" - 11/16" ORFS
11	011805	4	Pin	
12	516001	4	Cotter pin	5x32
13	016160	2	Threaded nut	M45x2
14	601102	1	Bonded seal	3/8"
15	601704	2	Banjo screw	1/4"
16	647133	1	Hydraulic hose	
17	647134	1	Hydraulic hose	
18	647136	1	Hydraulic hose	
19	647135	1	Hydraulic hose	
20	647149	1	Hydraulic hose	
21	601759	4	Adapter	BSP 1/2" - 1" ORFS
22	503065	2	Washer	NL6
23	016465	2	Clamp	1/4"
24	501046	2	Screw	M6x20 12.9
25	501072	2	Screw	M8x35 12.9
26	503055	2	Washer	NL8
27	018986	2	Hydraulic cylinder	
28	012121	2	Cylinder cover	
29	500077	2	Screw	M10x70 8.8 FZB
30	502055	2	Nut	M10
31	610120	1	Accumulator	0 bar
31	610114	1	Accumulator	85 bar

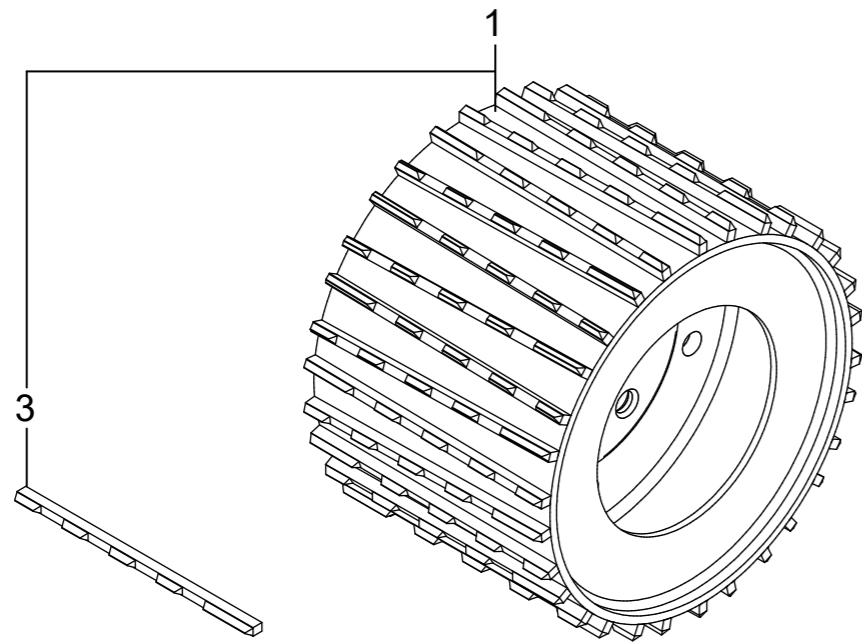


Structure				
Pos.	Part no.	Quantity	Description	Specification
32	602110	1	Seal ring	3/8"
33	601003	2	Hex plug	1/2"
34	503060	2	Washer	NL12
35	601200	4	Copper seal	13x19x1,5
36	601708	1	Banjo screw	3/8"
37	601750	2	Adapter	BSP 1/4" - 9/16" ORFS

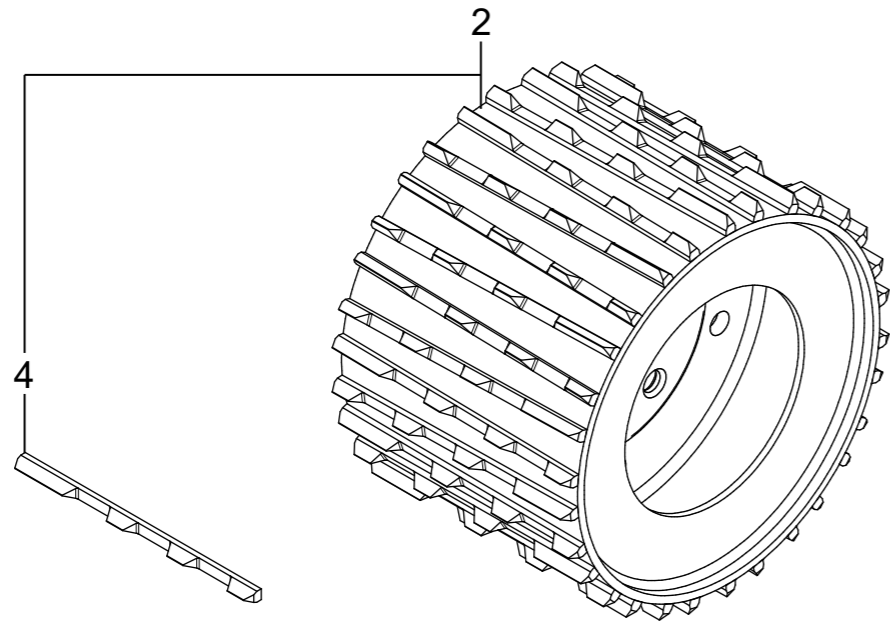


Feed roller motors

Structure 609043				
Pos.	Part no.	Quantity	Description	Specification
1	609043	2	Feed roller motor	398 ccm
2	537010	10	Wheel nut	
3	635102	10	Wheel screw	
4	602051	2	Adapter	3/8"
5	501110	20	Screw	M12x35 12.9
6	503060	20	Washer	NL12
7	601102	8	Bonded seal	3/8"
8	601103	3	Bonded seal	1/2"
9	601708	3	Banjo screw	3/8"
10	647164	1	Hydraulic hose	
11	647165	1	Hydraulic hose	
12	647163	1	Hydraulic hose	
13	647162	1	Hydraulic hose	
14	647151	1	Hydraulic hose	
15	647150	1	Hydraulic hose	
16	017739	2	Rubber sheet	
17	601754	1	Adapter	BSP 3/8" - 11/16" ORFS
18	017738	2	Bracket	
19	601759	8	Adapter	BSP 1/2" - 1" ORFS
20	503057	6	Washer	NL10
21	013805	3	Adapter	1/2"
22	615051	2	Hose cover	2"
23	500068	6	Screw	M10x25 8.8 FZB

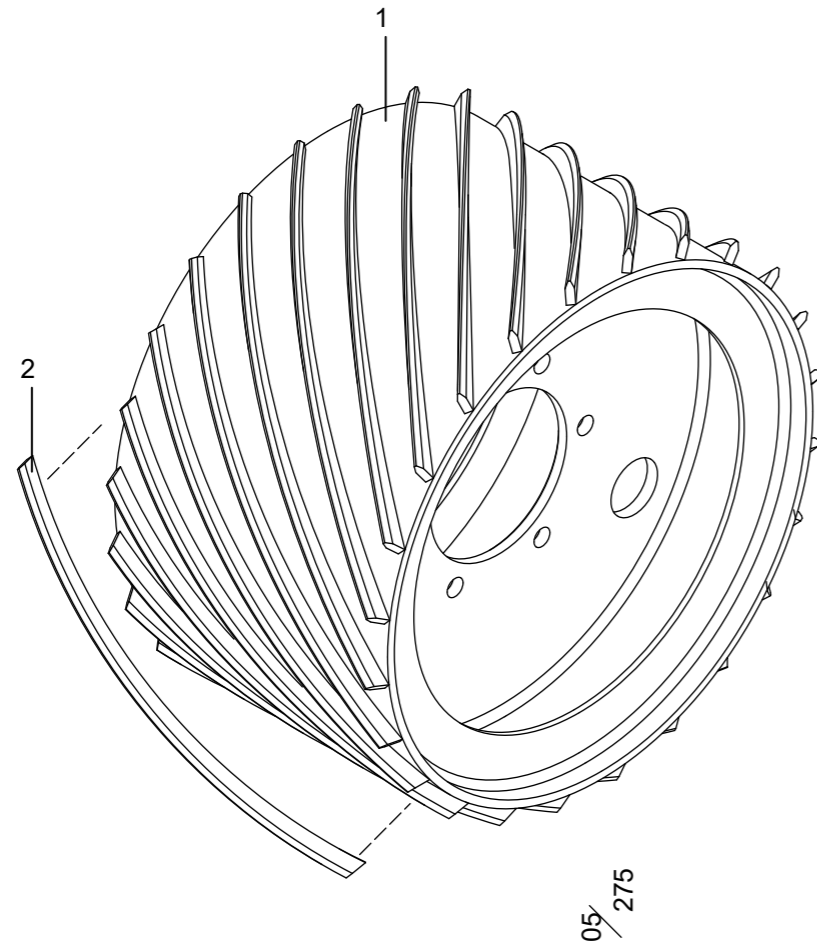


05/001



Feed rollers, V - steel

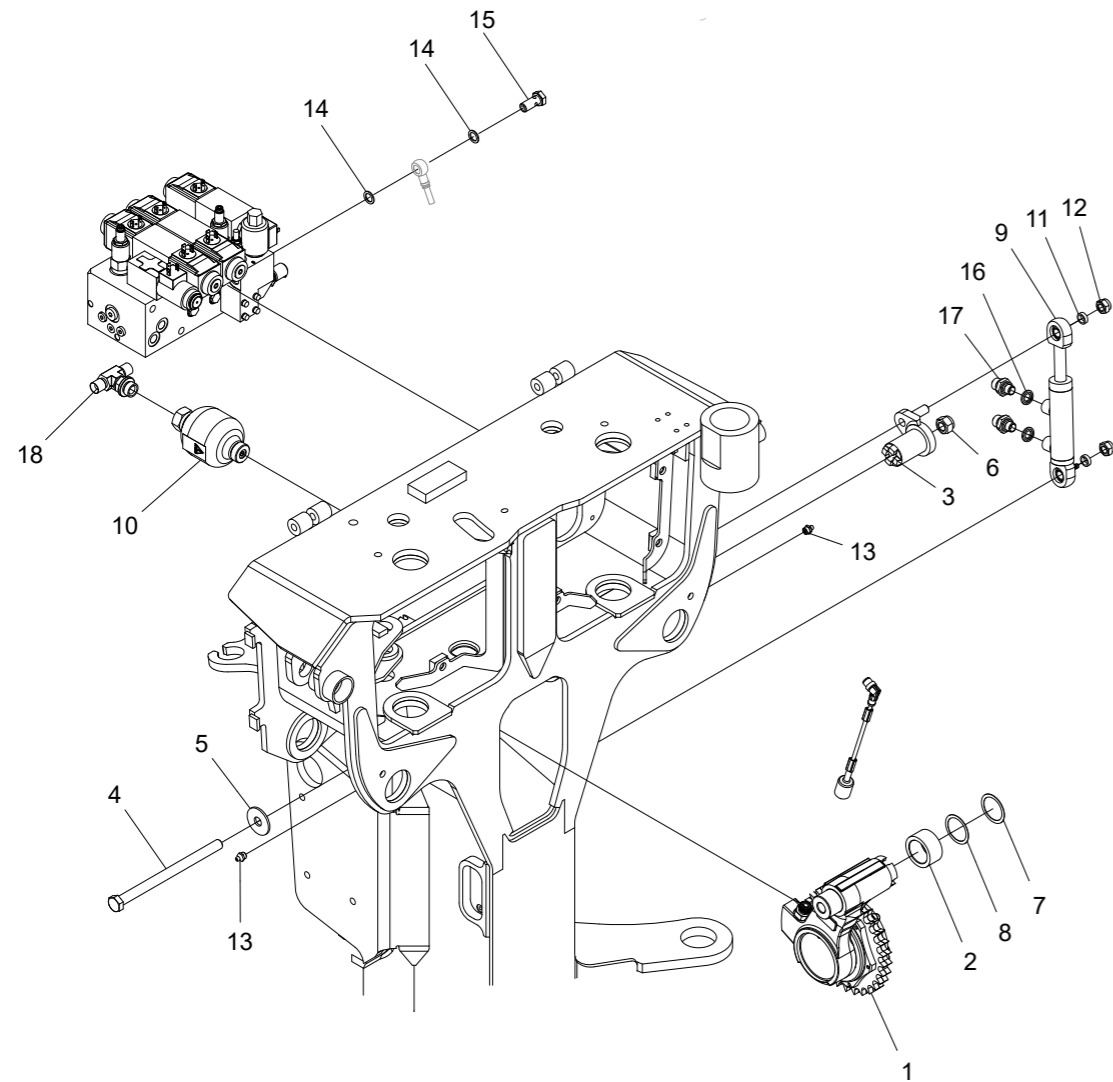
Structure 034690, 034691				
Pos.	Part no.	Quantity	Description	Specification
1	034694	2	Feed roller	S
2	034695	2	Feed roller	E
3	017516		Bar	
4	017517		Bar	



Feed rollers, eucalyptus

Structure 034696				
Pos.	Part no.	Quantity	Description	Specification
1	018191	2	Feed roller	
2	018190		Bar	

Measuring

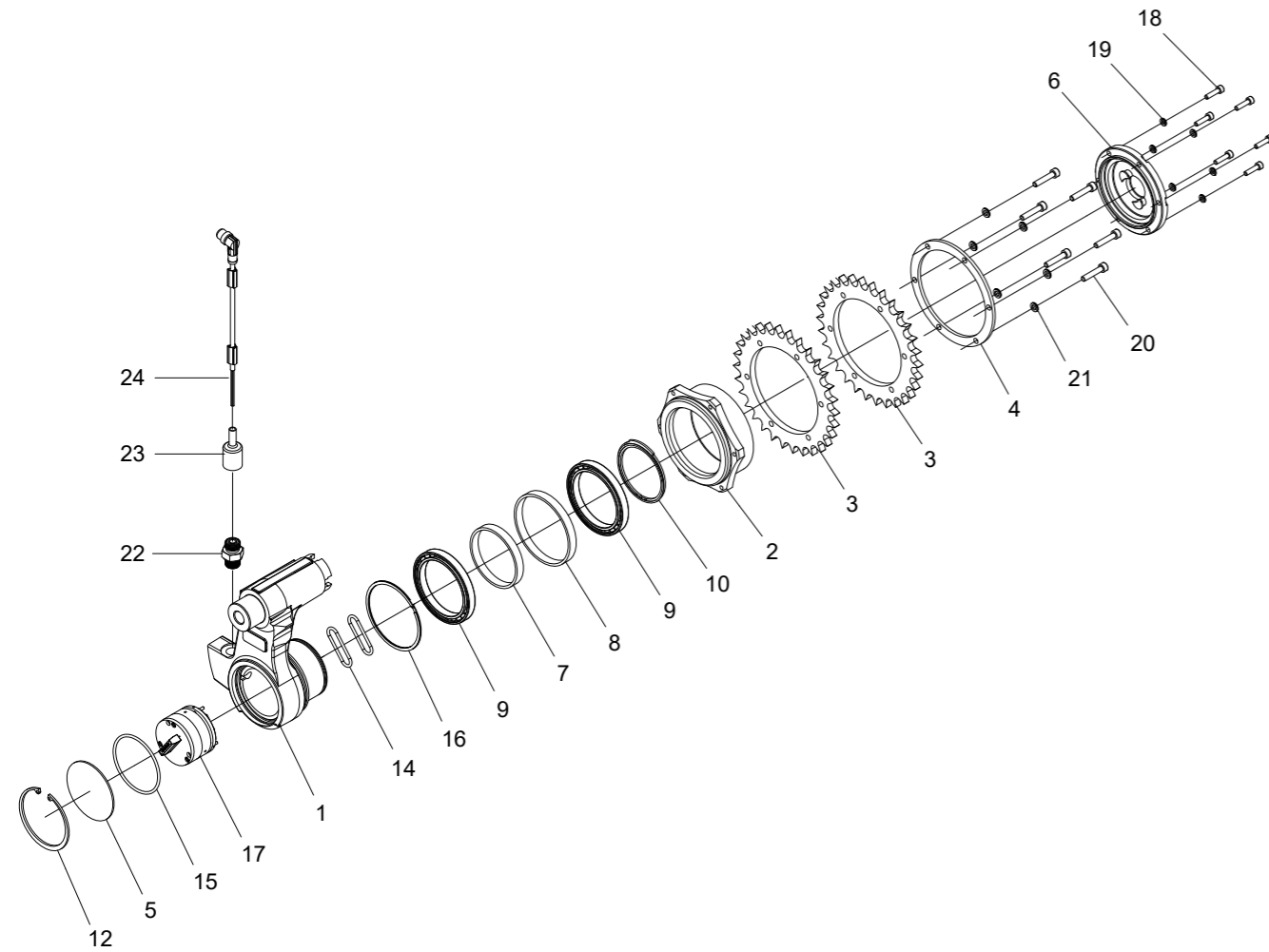


08/041

Log Max - Length measuring assembly

Measuring wheel #2

Structure 006712-2				
Pos.	Part no.	Quantity	Description	Specification
1	006712-MONT	1	Measuring wheel	
2	012181	1	Spacer	
3	015168	1	Driver	
4	505076	1	Screw	M14x200 10.9 OBH
5	503020	1	Washer	FZB 14x42x3,0
6	502076	1	Nut	M14
7	507002		Shim	36x45x0,5
8	507003		Shim	36x45x0,3
9	018870	1	Hydraulic cylinder	
10	610120	1	Accumulator	0 bar
10	610113	1	Accumulator	65 bar
11	010170	2	Spacer	
12	502056	2	Nut	M12
13	625000	2	Grease nipple	1/8"
14	601200	2	Copper seal	13x19x1,5
15	601068	1	Banjo screw	1/4"
16	601102	2	Bonded seal	3/8"
17	601032	2	Adapter	BSP -06
18	601024	1	Adapter	BSP -06/-08/-06

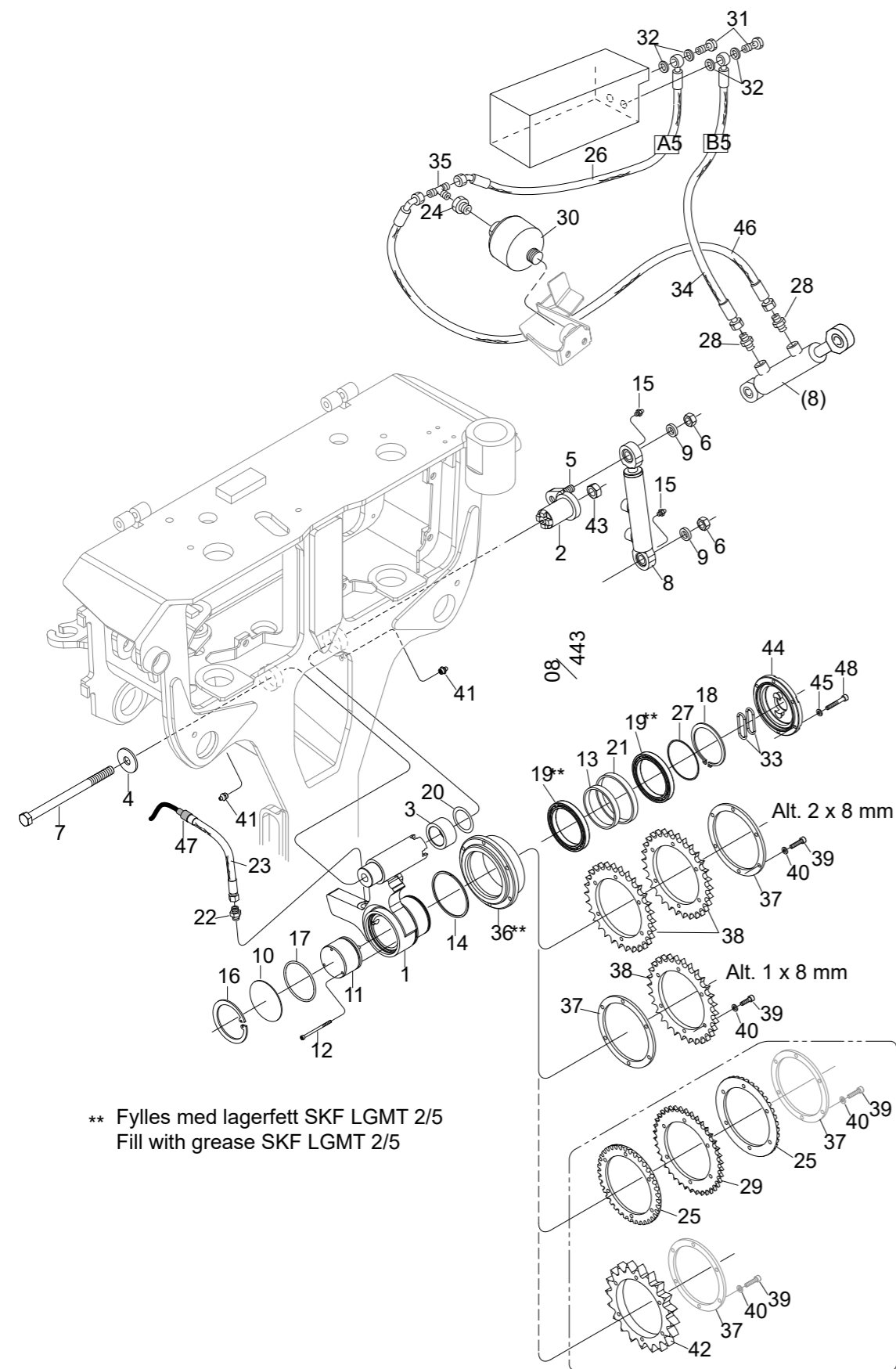


08/046

Log Max - Length measuring arm

Length measuring arm #2

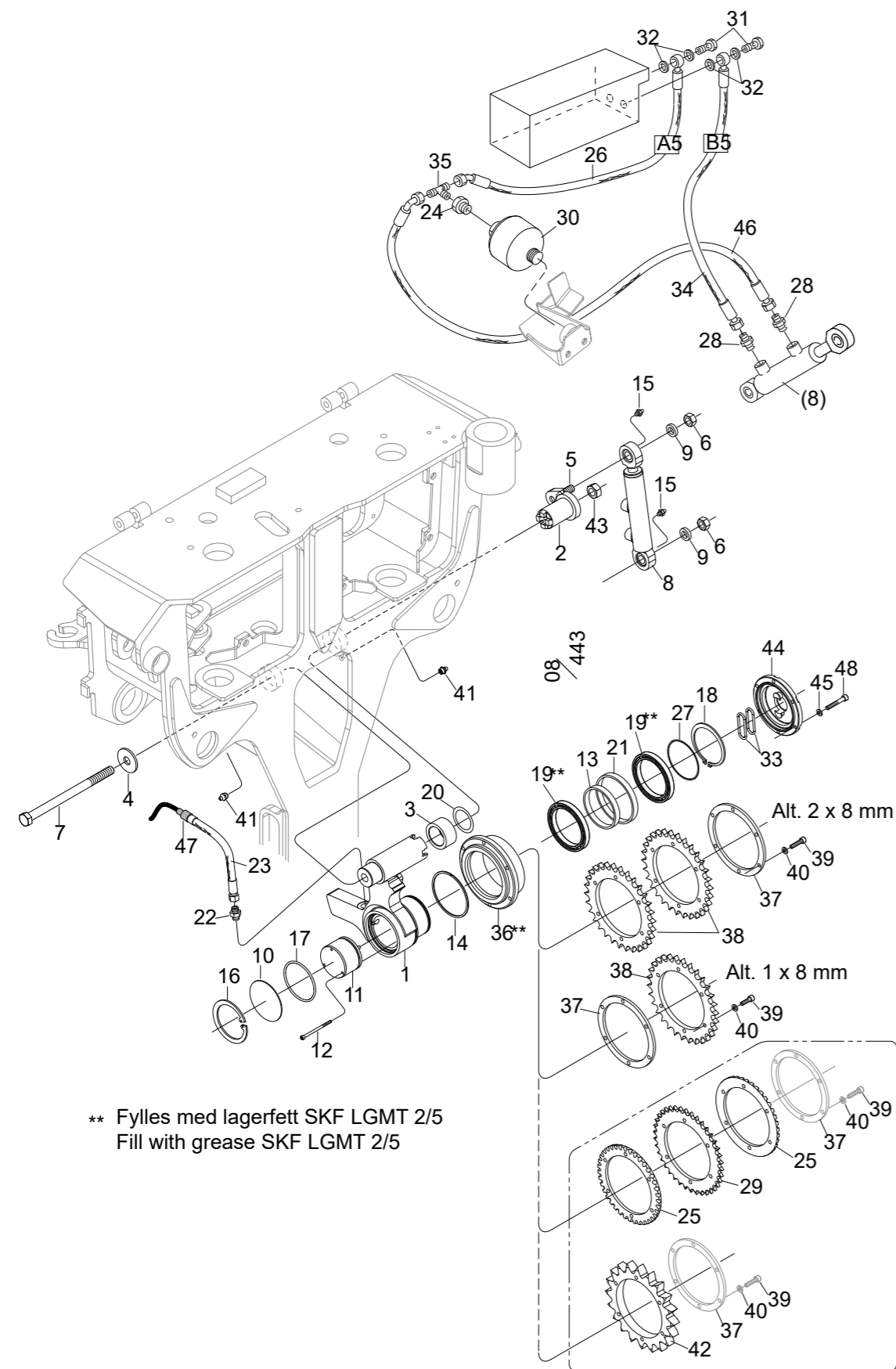
Structure 006712-MONT				
Pos.	Part no.	Quantity	Description	Specification
1	016089	1	Measuring wheel arm	
2	012965	1	Hub	
3	012974	2	Wheel rim	5/8"x162
4	012976	1	Spacer	
5	015443	1	Cover	
6	017700	1	Cover	
7	017701	1	Spacer	Inner / Inre
8	017702	1	Spacer	Outer / Yttre
9	508051	2	Bearing	61814 – 2RS
10	507066	Req / Erf	Shim	70.1x74.1x0.5
11	517068	1	Circlip	SGA 70
12	517254	1	Circlip	SGH 75
13	519056	1	Expander rivet	10x10
14	540116	2	O-ring	22.2x3.0
15	540130	1	O-ring	67x3.0
16	546002	1	Seal ring	
17	401228	1	Encoder	500 ppr, LM 500, Dasa forester
18	501029	6	Screw	M5x20 12.9
19	503066	6	Washer	NL5
20	501049	6	Screw	M6x30 12.9
21	503065	6	Washer	NL6
22	601754	1	Adapter	BSP -06 / ORFS -06
23	015113	1	Shrink hose	
24	402580	1	Cable	M12



** Fylles med lagerfett SKF LGMT 2/5
Fill with grease SKF LGMT 2/5

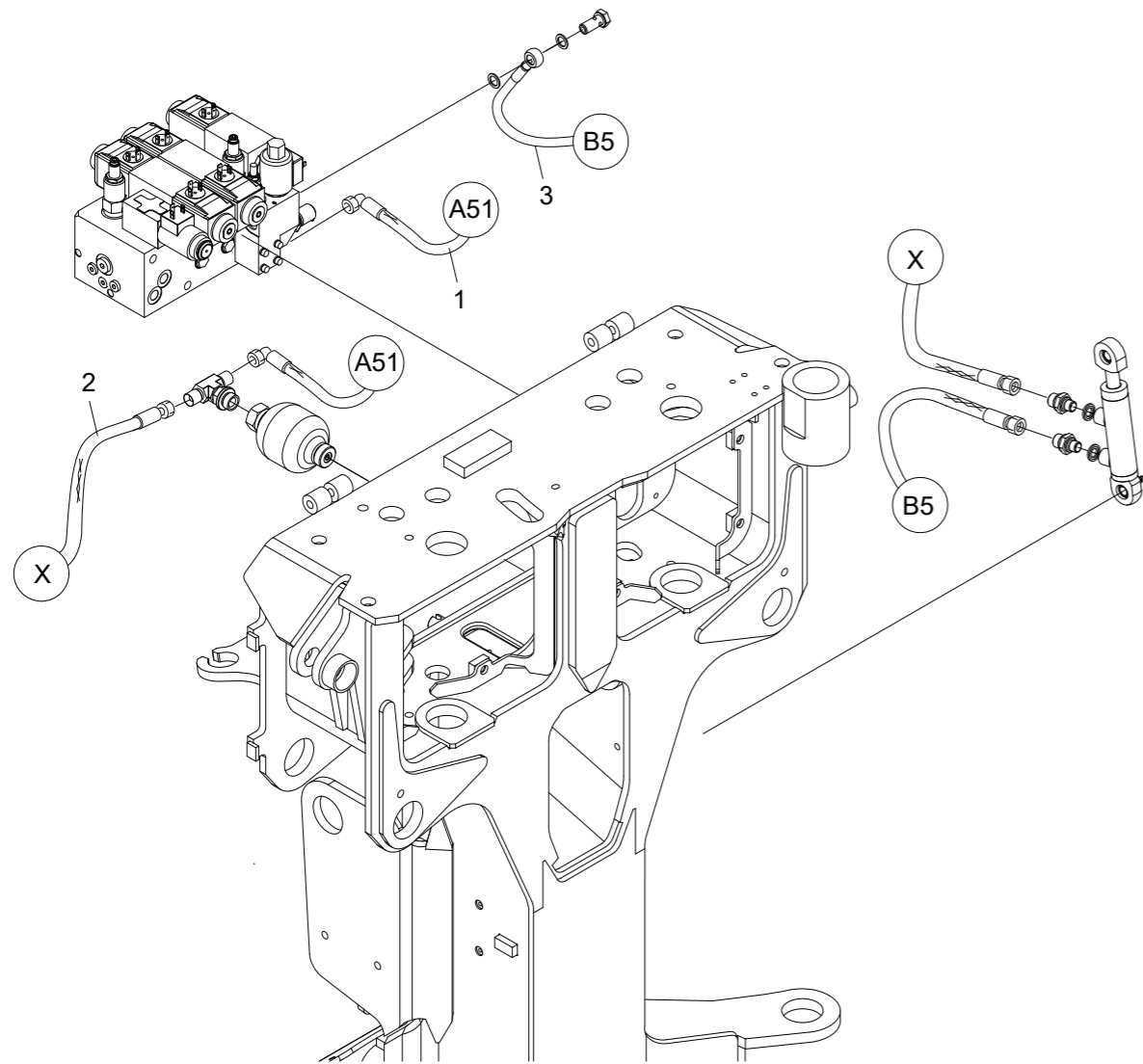
Measuring wheel

Structure				
Pos.	Part no.	Quantity	Description	Specification
1	016089	1	Measuring wheel arm	
2	015168	1	Driver	
3	012181	1	Spacer	
4	503020	1	Washer	14x42x3,0 FZB
5	015167	1	Pin	
6	502056	2	Nut	M12
7	505076	1	Screw	M14x200 10.9
8	015462	1	Hydraulic cylinder	
9	010170	2	Spacer	
10	015443	1	Cover	
11	401228	1	Encoder	500 ppr
11	401229	1	Encoder	80 ppr
12	500511	3	Screw	3x45 8.8 FZB
13	017701	1	Spacer	
14	546002	1	Seal ring	
15	625004	2	Grease nipple	M6
16	517254	1	Circlip	SGH 75
17	540130	1	O-ring	67x3,0
18	517068	1	Circlip	SGA 70
19	508051	2	Bearing	61814-2RS
21	017702	1	Spacer	
22	601754	1	Adapter	BSP 3/8" - 11/16" ORFS
23	647156	1	Hose	
24	602059	1	Adapter	1/2" - 1/4"
25	018127	2	Spacer	
26	647147	1	Hydraulic hose	
27	507766	1	Shim	70,1x74,1x0,5
28	601750	2	Adapter	BSP 1/4" - 9/16" ORFS
29	018128	1	Wheel	
30	610113	1	Accumulator	
30	610120	1	Accumulator	
31	601704	2	Banjo screw	1/4"
32	601200	4	Copper seal	13x19x1,5



** Fylles med lagerfett SKF LGMT 2/5
Fill with grease SKF LGMT 2/5

Structure				
Pos.	Part no.	Quantity	Description	Specification
33	540116	2	O-ring	22,2x3,0
34	647146	1	Hydraulic hose	
35	601740	1	Adapter	BSP 1/4" - 9/16" ORFS
36	012965	1	Hub	
37	012976	1	Spacer	
38	012974	2	Wheel	5/8"x162
39	501049	6	Screw	M6x30 12.9
40	503065	6	Washer	NL6
41	625000	2	Grease nipple	1/8"
42	018131	1	Wheel	Ø164
43	502076	1	Nut	M14
44	017700	1	Cover	
45	503066	6	Washer	NL5
46	647148	1	Hydraulic hose	
47	015113	1	Shrink hose	
48	501029	6	Screw	M5x20 12.9

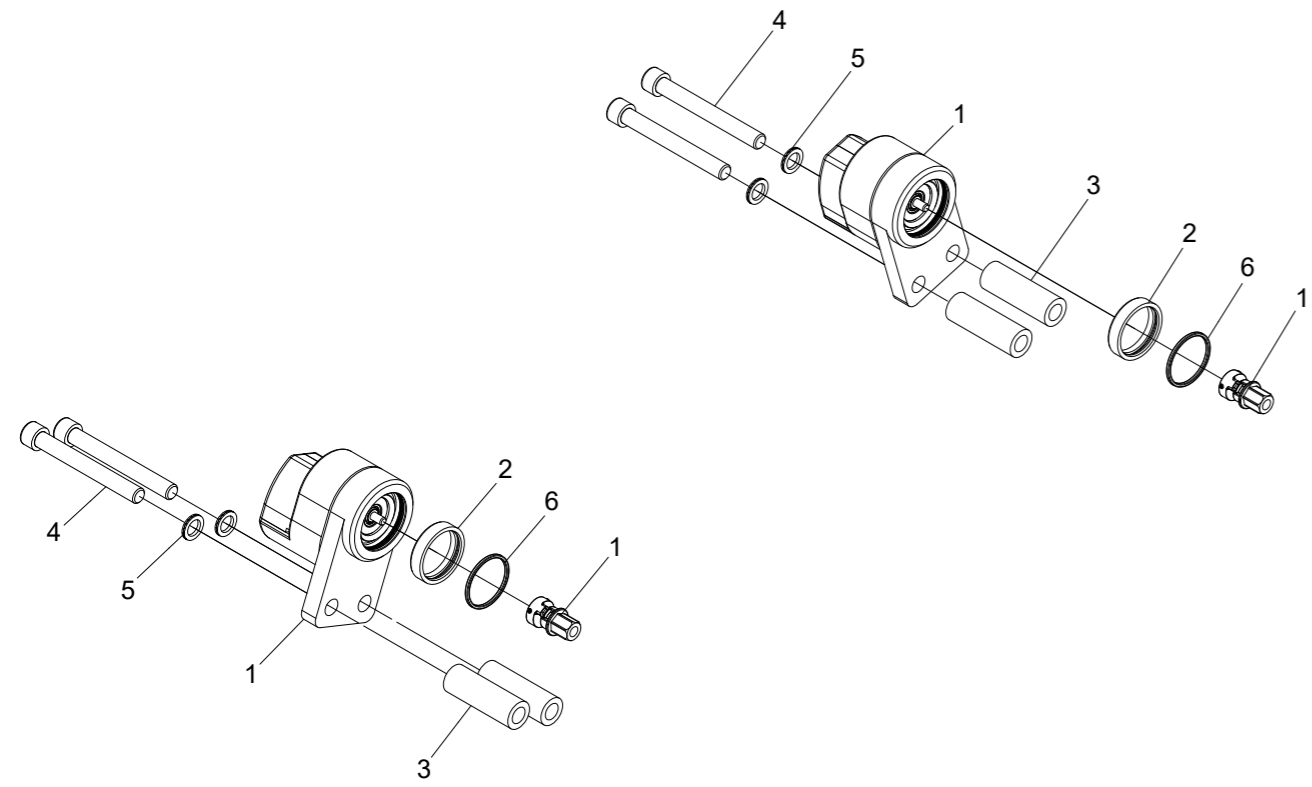


08/042

Log Max - Hose kit measuring wheel

Hose kit measuring wheel #2

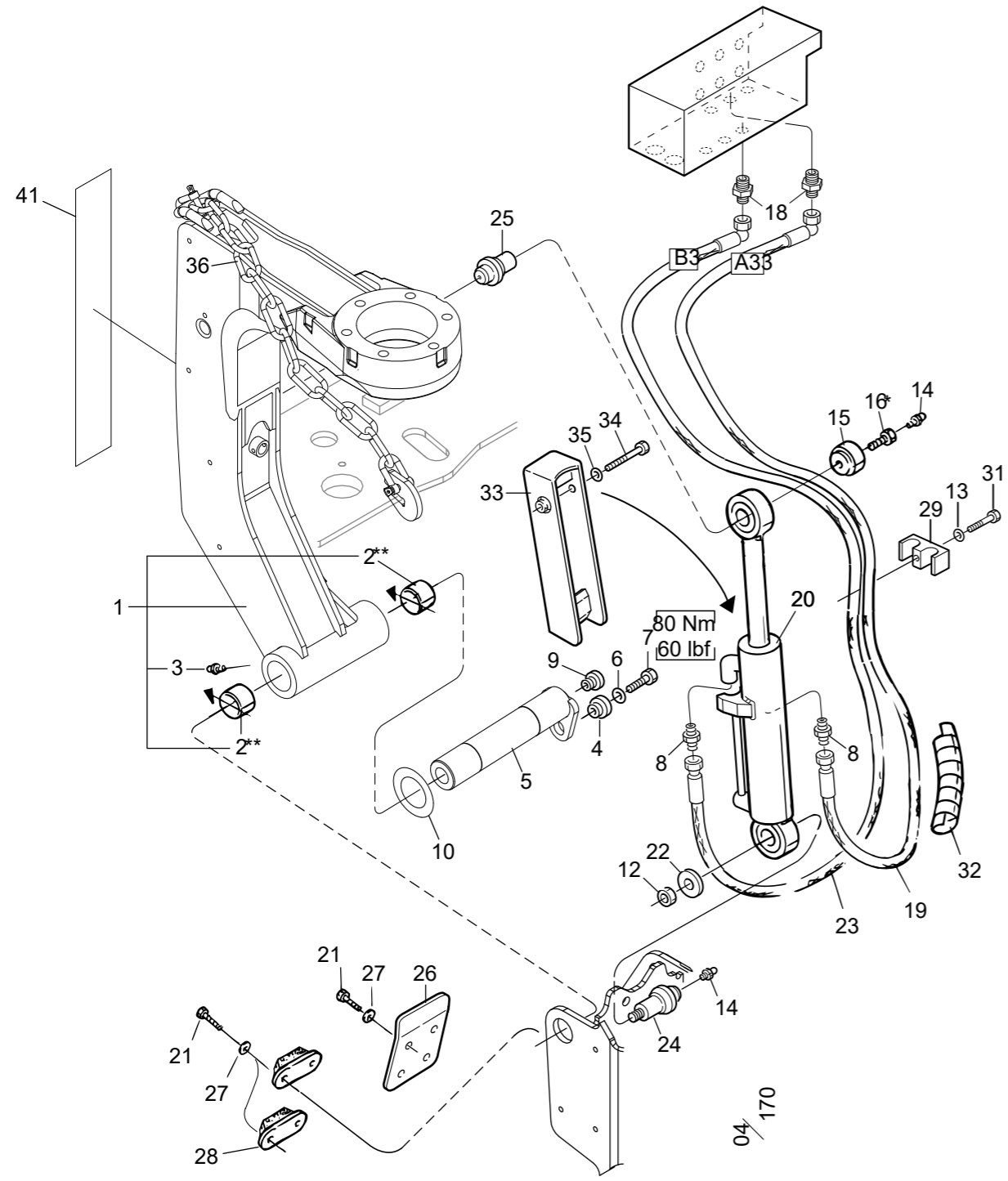
Structure 006712-2				
Pos.	Part no.	Quantity	Description	Specification
1	647253	1	Hydraulic hose	
2	647254	1	Hydraulic hose	
3	647255	1	Hydraulic hose	



Diameter measuring

Structure 006713				
Pos.	Part no.	Quantity	Description	Specification
1	401267	2	Encoder	
2	022994	2	Spacer	
3	017704	4	Spacer	
4	501119	4	Screw	M12x100 12.9
5	503060	4	Washer	NL12
6	10000364	2	Seal ring	

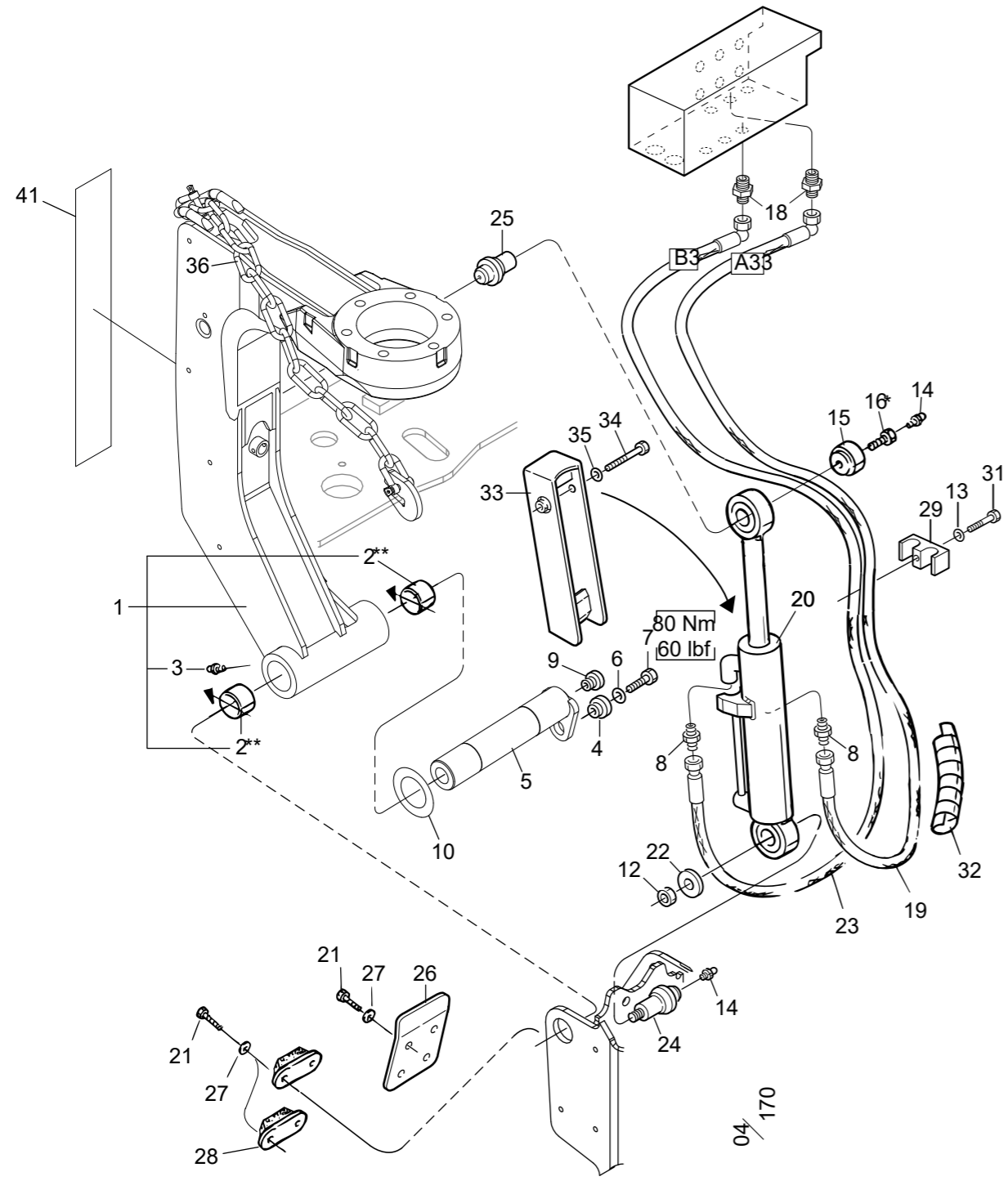
Felling unit



* Loctite 243
** Loctite 603

Felling link

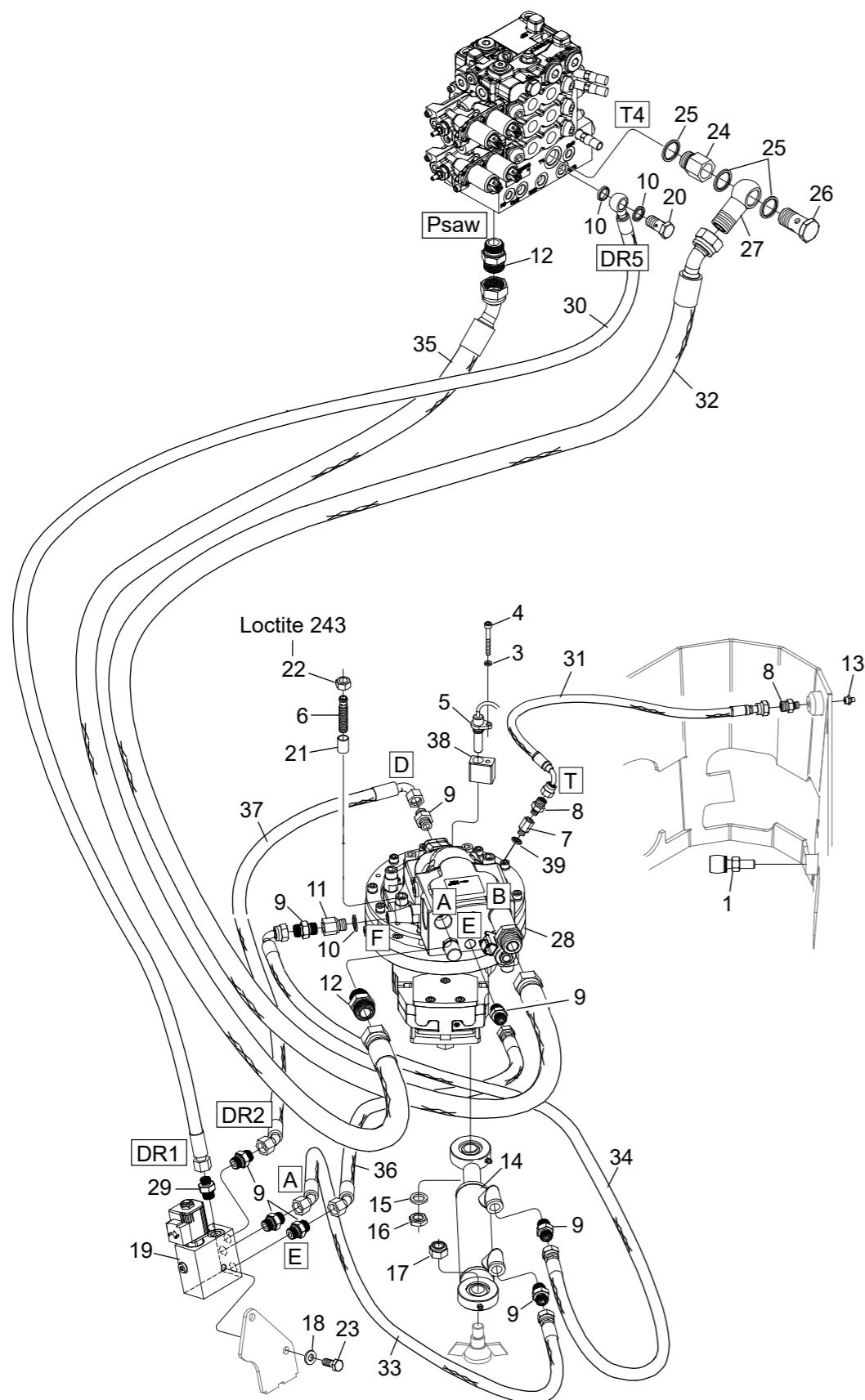
Structure 006704				
Pos.	Part no.	Quantity	Description	Specification
1	034647	1	Felling link	
2	512024	2	Bushing	50x40
3	625000	1	Grease nipple	1/8"
4	013872	1	Circlip	
5	017644	1	Pin	
6	503060	1	Washer	NL12
7	500091	1	Screw	M12x30 8.8 FZB
8	601750	2	Adapter	BSP 1/4" - 9/16" ORFS
9	601003	1	Hex plug	1/2"
10	507024		Shim	52x65x0,5
10	507025		Shim	52x65x1,0
12	502056	1	Nut	M12
13	503055	1	Washer	NL8
14	625004	2	Grease nipple	M6
15	012410	1	Protective sleeve	
16	012650	1	Screw	M12
18	601753	2	Adapter	BSP 3/8" - 9/16" ORFS
19	647142	1	Hydraulic hose	
20	018995	1	Hydraulic cylinder	
21	500022	8	Screw	M6x14 8.8 FZB
22	016284	1	Washer	
23	647144	1	Hydraulic hose	
24	016286	1	Cylinder pin	
25	012409	1	Cylinder pin	
26	013645	1	Cover	
27	503073	8	Washer	NL6
28	012845	2	Rubber damper	
29	016465	1	Clamp	1/4"
31	501072	1	Screw	M8x35 12.9
32	615049	1	Hose cover	Ø3/4"
33	013051	1	Cylinder cover	
34	500075	1	Screw	M10x60 8.8 FZB
35	503057	1	Washer	NL10



* Loctite 243
** Loctite 603

Structure				
Pos.	Part no.	Quantity	Description	Specification
36	523093	1	Security chain	
39	503065	2	Washer	NL6
40	501059	2	Screw	M6x80 12.9
41	519168	1	Decal	

Saw unit

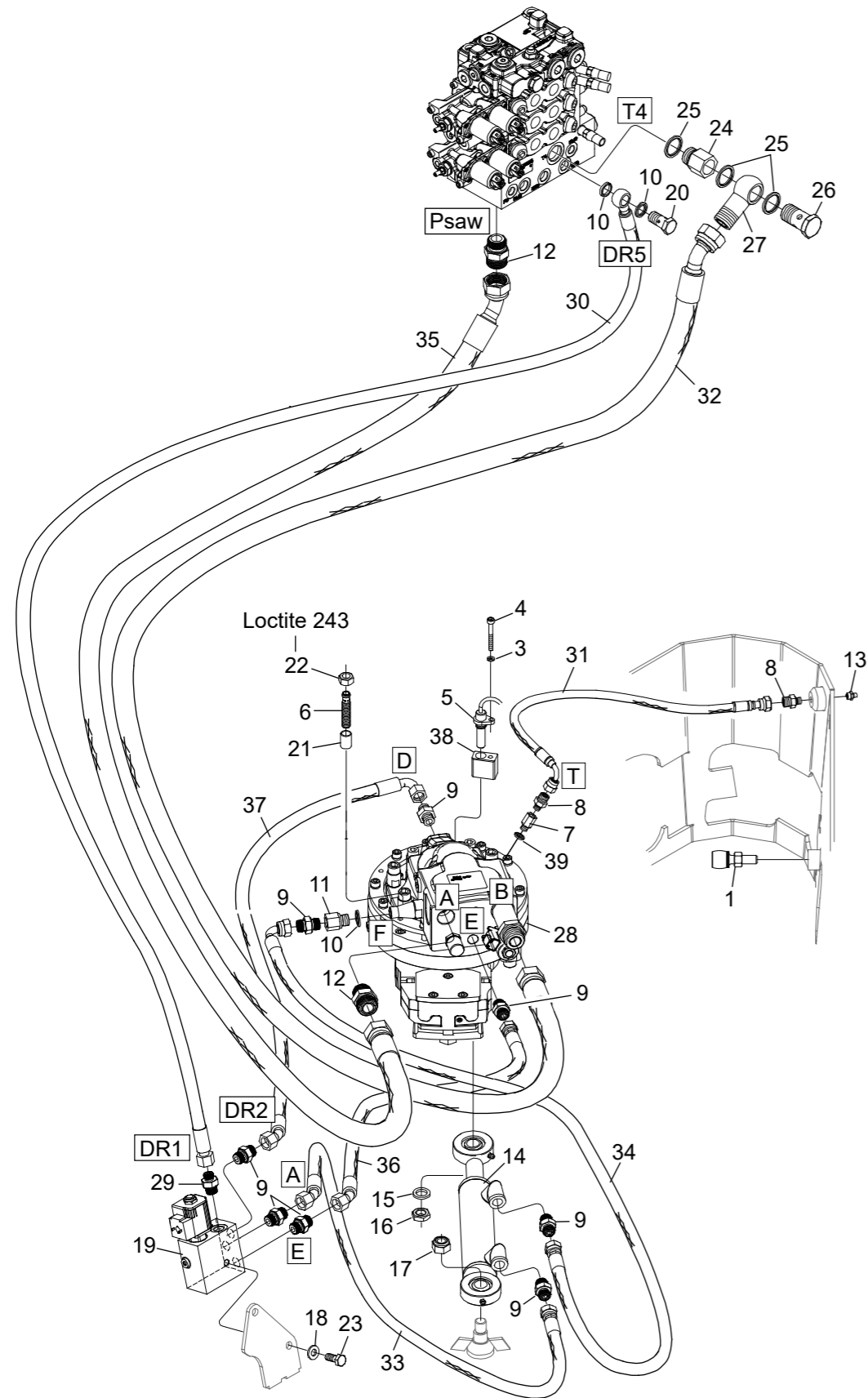


06/049

Log Max 4000T - Säg 218 IP

Saw hydraulics, 218 TrueCut

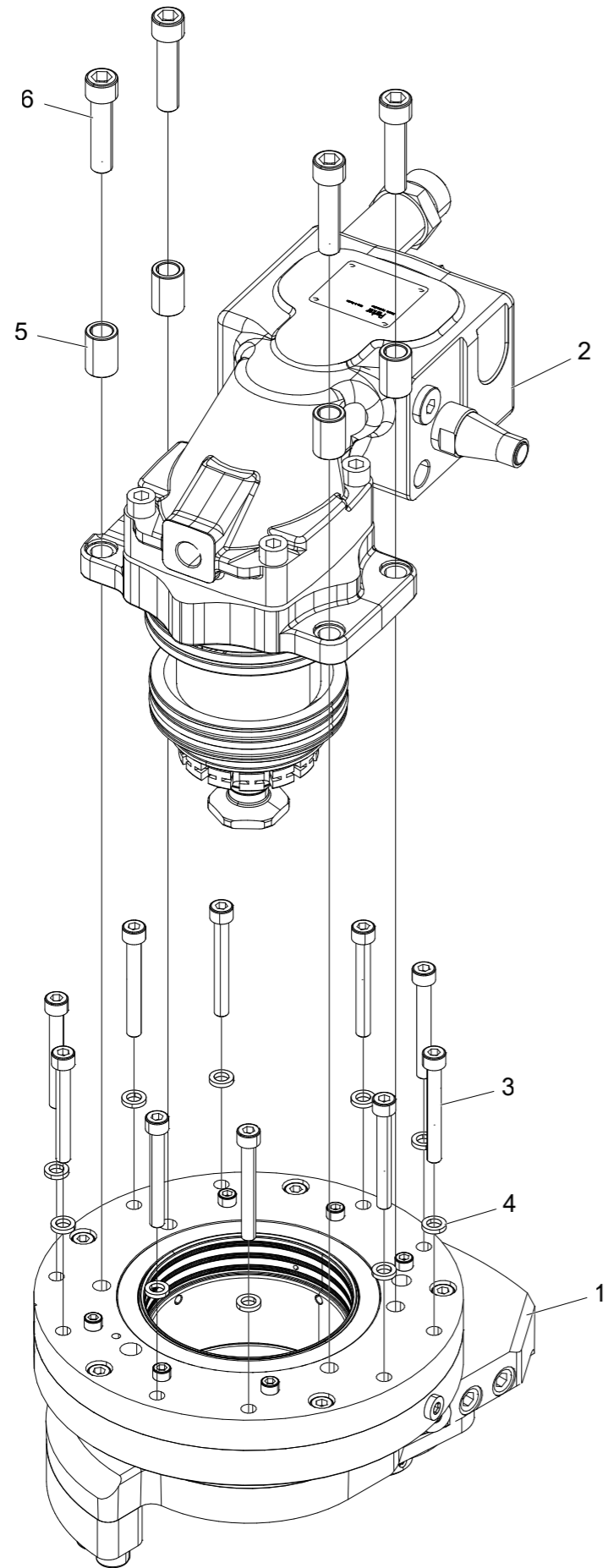
Structure 034654				
Pos.	Part no.	Quantity	Description	Specification
1	10000361	1	Mechanical stop	
3	503065	1	Washer	NL6
4	501053	1	Screw	M6x50 12.9
5	K5081000	1	Sensor	P114
6	401220	1	Inductive sensor	218/318
7	602083	2	Adapter	1/8"
8	601749	3	Adapter	BSP 1/8" - 9/16" ORFS
9	601754	8	Adapter	BSP 3/8" - 11/16" ORFS
10	601102	3	Bonded seal	1/8"
11	602051	1	Adapter	3/8"
12	601762	2	Adapter	BSP 3/4" - 1.3/16" ORFS
13	625000	1	Grease nipple	1/8"
14	017909	1	Hydraulic cylinder	
15	503063	1	Washer	NL16
16	502706	1	Nut	M16
17	502705	1	Nut	M16 KL10 FZB
18	503075	1	Washer	NL10
19	018216	1	Manifold	
20	601061	1	Banjo screw	3/8"
21	017906	1	Spacer	
22	502721	1	Nut	M12x1,0
23	500068	1	Screw	M10x25 8.8 FZB
24	602057	1	Adapter	3/4"
25	601104	3	Bonded seal	3/4"
26	601067	1	Banjo screw	3/4"
27	601779	1	Banjo body	3/4"
28	018710	1	Saw unit	
29	601754	1	Adapter	BSP -06 / ORFS-06
30	647234	1	Hydraulic hose	
31	647160	1	Hydraulic hose	
32	647214	1	Hydraulic hose	
33	647231	1	Hydraulic hose	



06/049

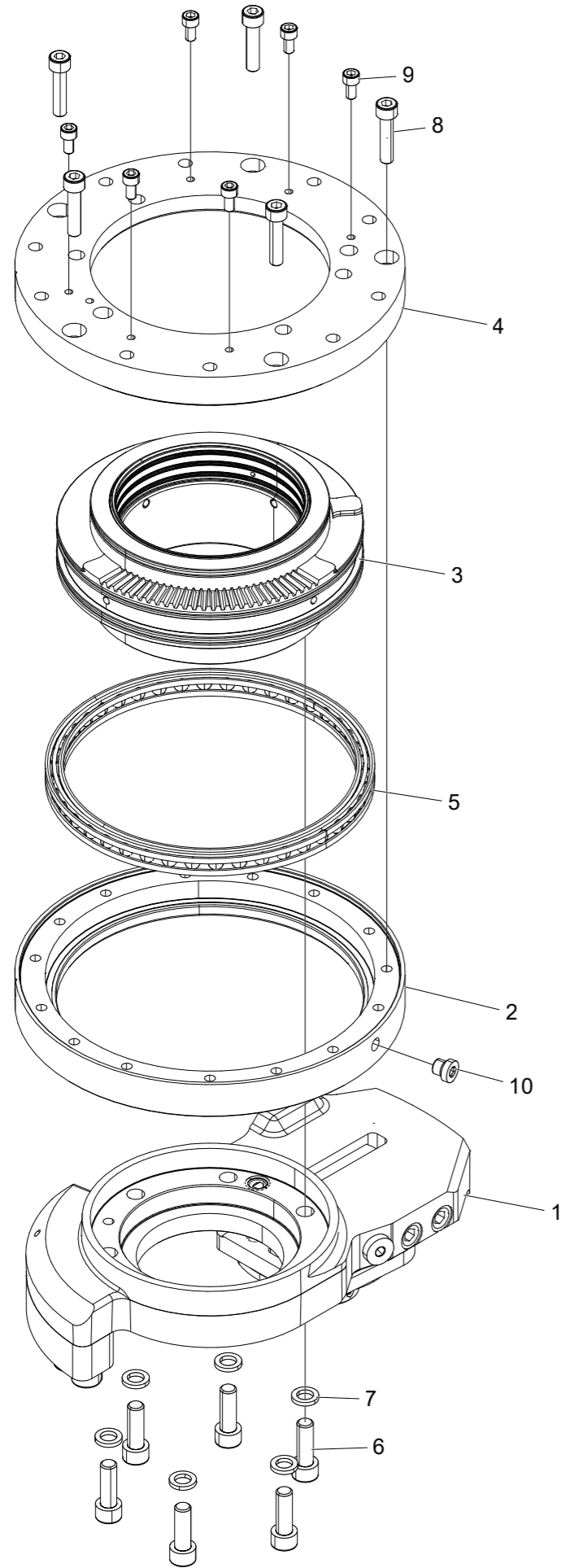
Log Max 4000T - Såg 218 IP

Structure				
Pos.	Part no.	Quantity	Description	Specification
34	647232	1	Hydraulic hose	
35	647205	1	Hydraulic hose	
36	647230	1	Hydraulic hose	
37	647235	1	Hydraulic hose	
38	017905	1	Sensor holder	
39	601100	2	Bonded seal	1/8"



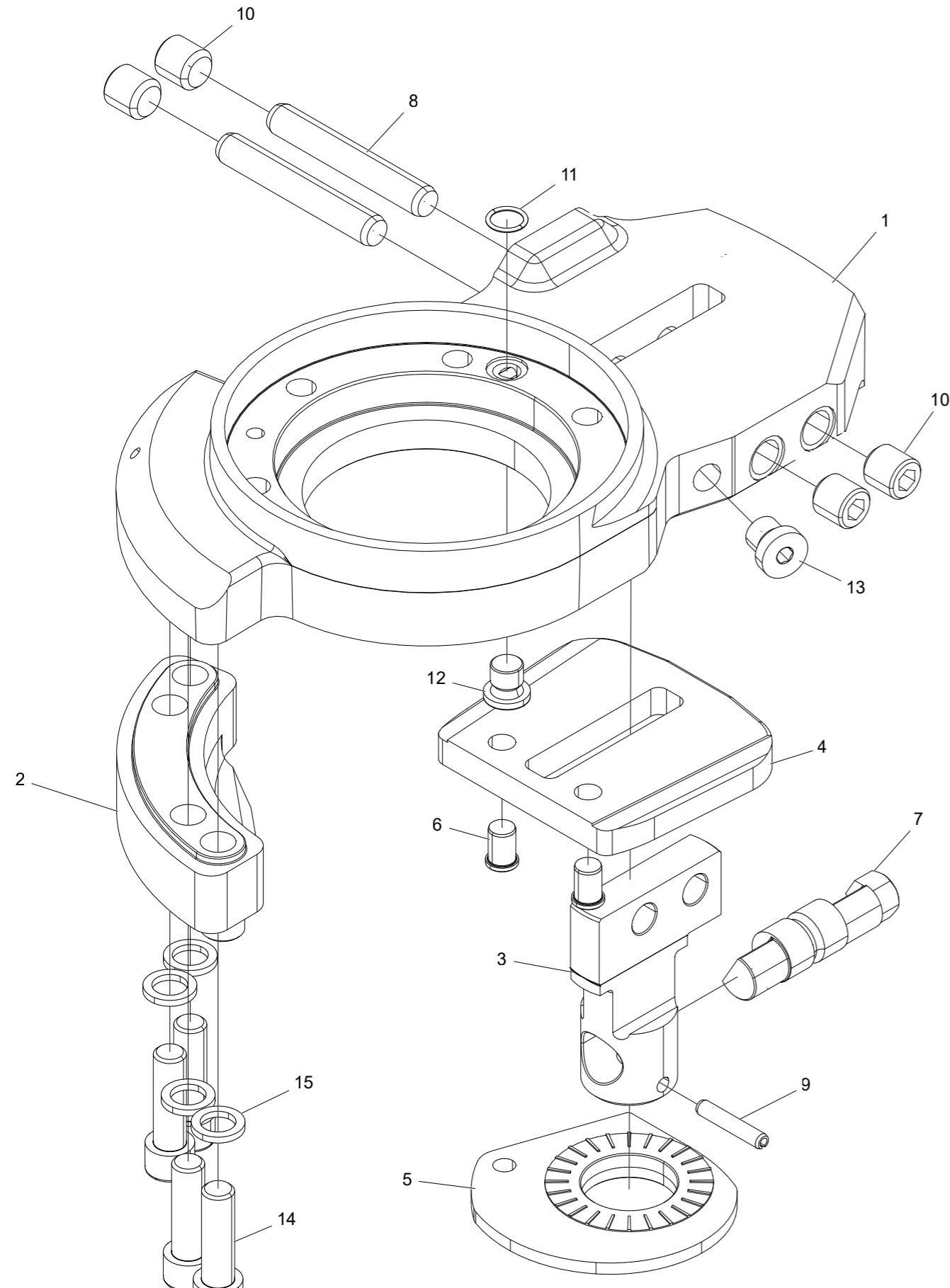
Saw unit, 218 F11-19 TrueCut

Structure 018710				
Pos.	Part no.	Quantity	Description	Specification
1	017967	1	Saw unit	
2	018709	1	Saw motor	
3	501078	10	Screw	M8x65 12.9
4	503055	10	Washer	NL8
5	018097	4	Sleeve	
6	501113	4	Screw	M12x50 12.9



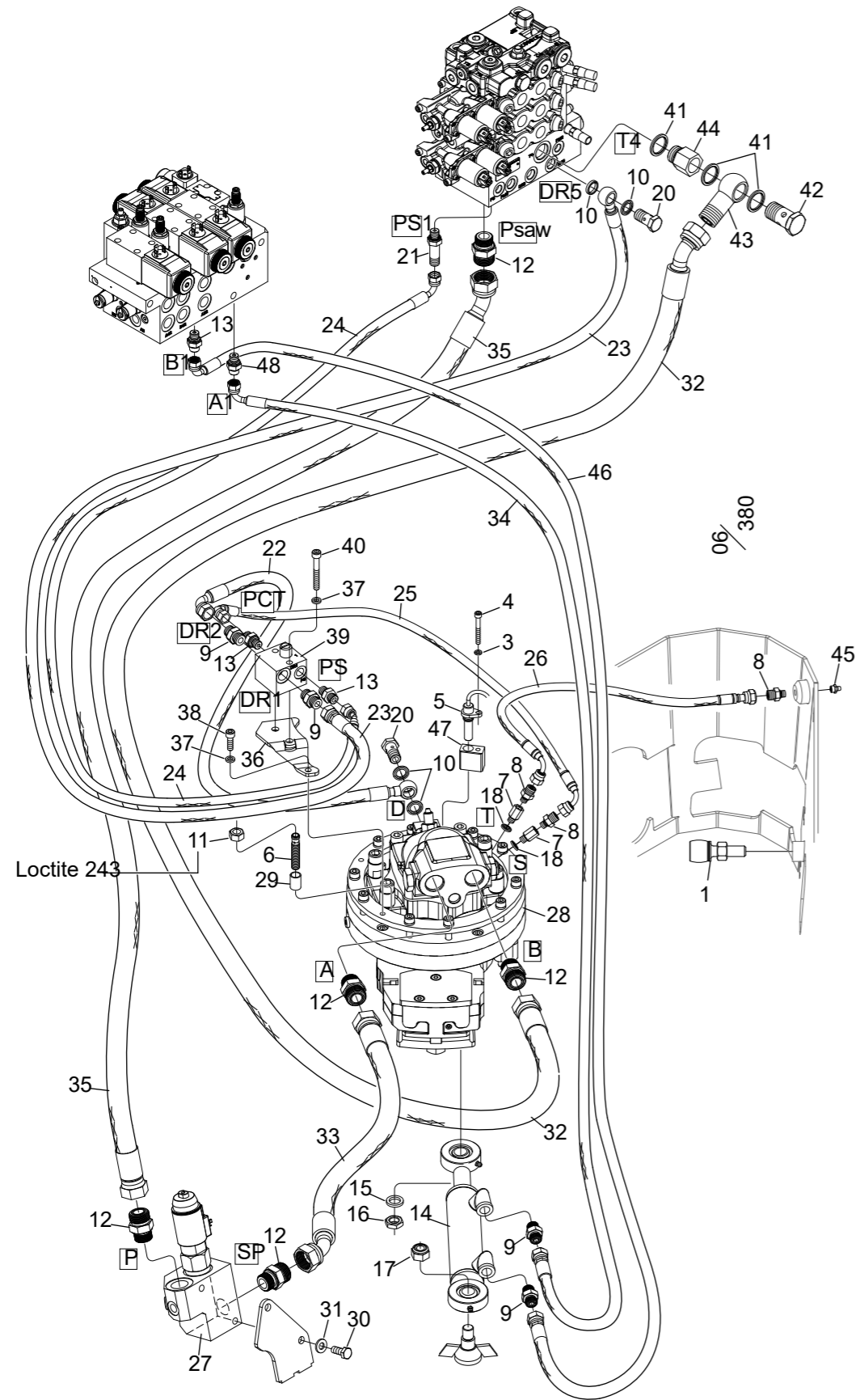
Saw unit, 218

Structure 017967				
Pos.	Part no.	Quantity	Description	Specification
1	017901	1	Saw bar bracket	
2	017884	1	Cover	
3	017908	1	Bearing unit	
4	017883	1	Bracket	
5	508100	1	Bearing	
6	501090	6	Screw	M10x30 12.9
7	503057	6	Washer	NL10
8	501072	5	Screw	M8x35 12.9
9	501043	6	Screw	M6x12 12.9
10	601000	1	Hex plug	1/8"



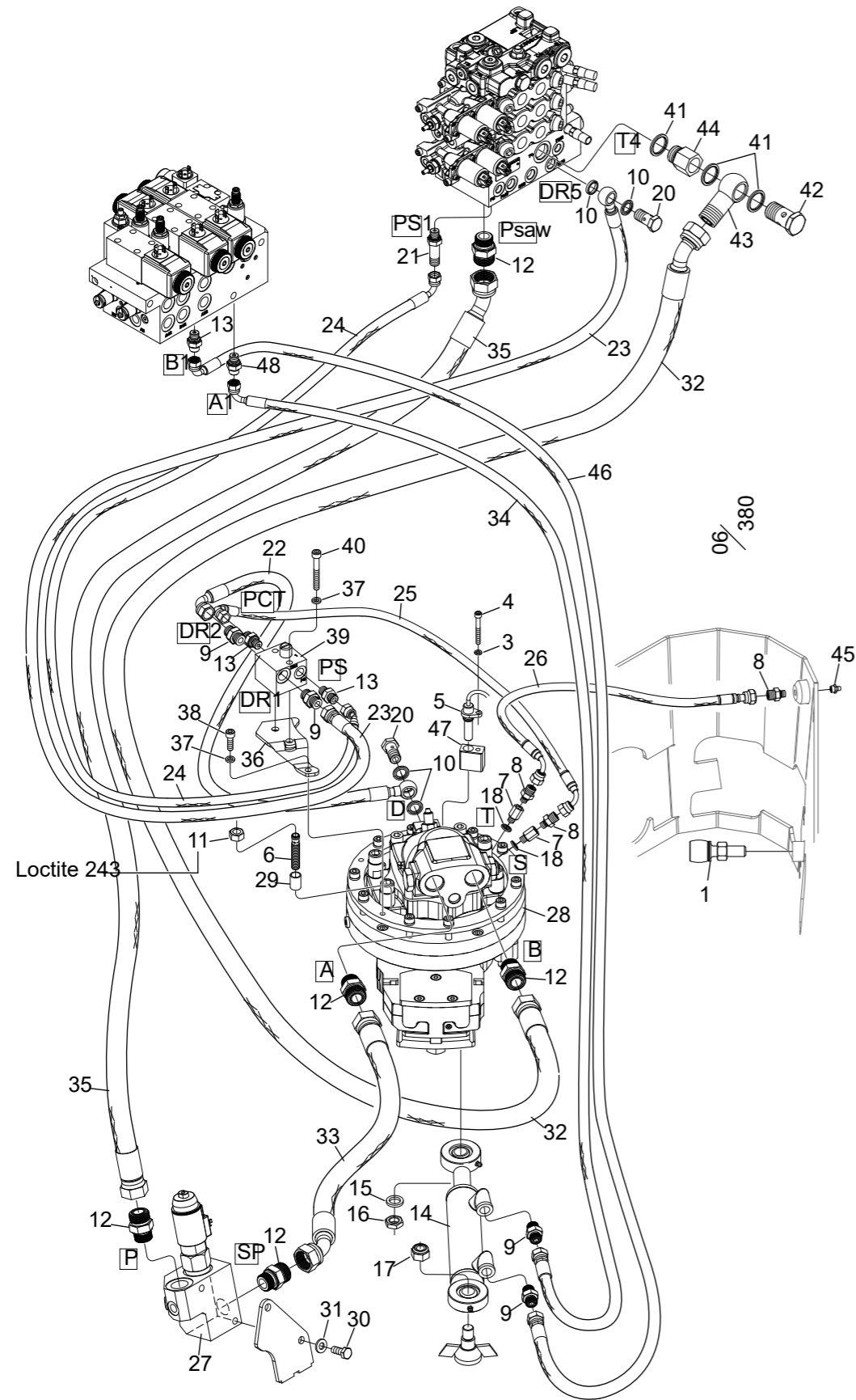
Saw bar bracket, 218

Structure 017901				
Pos.	Part no.	Quantity	Description	Specification
1	017728	1	Saw bar bracket	
2	017895	1	Cylinder bracket	
3	017799	1	Pin	
4	016936	1	Thrust washer	
5	018133	1	Excenter	
6	016774	2	Cylinder pin	Ø10
7	012519	1	Lock shaft	
8	515027	2	Cylinder pin	M6x80
9	515013	1	Pin	FRP 6x32
10	513051	4	Screw	M16x16
11	540009	1	O-ring	12,1x1,6 NBR70
12	602122	1	Plug	M12x1,5
13	601001	1	Plug	1/4"
14	501111	4	Screw	M12x40 12.9
15	503060	4	Washer	NL12

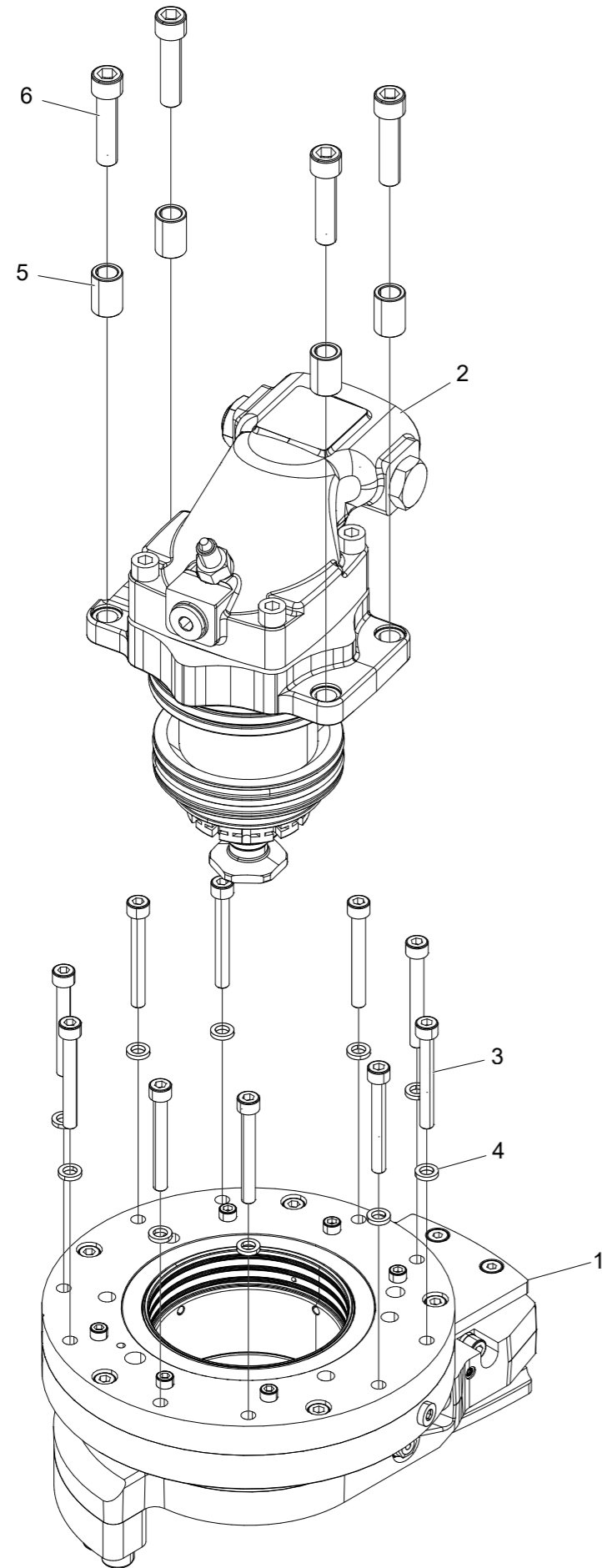


Saw hydraulics, 318 F11-19

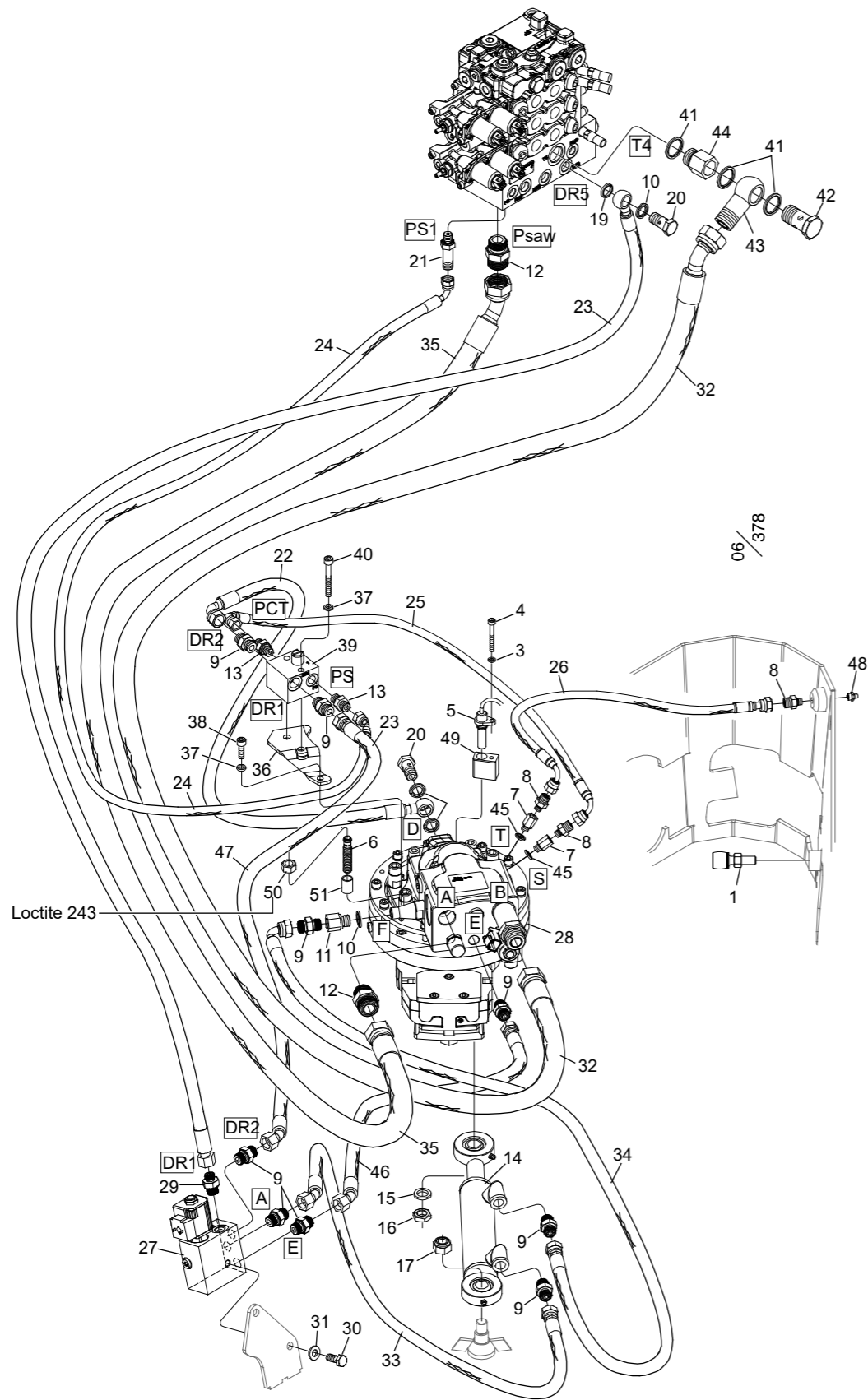
Structure				
006710, 034655				
Pos.	Part no.	Quantity	Description	Specification
1	10000361	1	Mechanical stop	
3	503065	1	Washer	M6 Nordlock
4	501053	1	Screw	MC6S M6x50 12.9
5	K5081000	1	Sensor	P114
6	401220	1	Inductive sensor	218/318
7	602083	2	Coupling	1/8" - 1/8" IF-UF
8	601749	3	Coupling	BSP 3/8" - 9/16" ORFS
9	601754	4	Coupling	BSP 3/8" - 11/16" ORFS
10	601102	5	Seal ring	3/8"
11	502721	1	Nut	M12x1,0
12	601762	5	Adapter	BSP 3/4" - 1.3/16" ORFS
13	601750	3	Adapter	BSP 1/4" - 9/16" ORFS
14	017909	1	Cylinder	
15	503063	1	Washer	NL16
16	502706	1	Nut	M16
17	502705	1	Nut	M16 KL10 FZB
18	601100	2	Seal ring	1/8"
20	601708	2	Banjo bolt	3/8"
21	601751	1	Adapter	BSP 1/4" - 9/16" ORFS
22	647123	1	Hydraulic hose	
23	647125	1	Hydraulic hose	
24	647128	1	Hydraulic hose	
25	647161	1	Hydraulic hose	
26	647160	1	Hydraulic hose	
27	016726	1	Manifold	
28	017977	1	Saw unit	F11-19
29	017906	1	Spacer tube	
30	500068	1	Screw	M10x25 8.8 FZB
31	503075	1	Washer	NL10
32	647198	1	Hydraulic hose	
33	647197	1	Hydraulic hose	



Structure				
Pos.	Part no.	Quantity	Description	Specification
34	647200	1	Hydraulic hose	
35	647196	1	Hydraulic hose	
36	017791	1	Manifold bracket	
37	503055	4	Washer	M8 Nordlock
38	501070	2	Screw	MC6S M8x25 12.9
39	017617	1	Manifold	
40	501077	2	Screw	MC6S M8x60 12.9
41	601104	3	Seal ring	3/4"
42	601716	1	Banjo bolt	G 3/4"
43	601779	1	Banjo body	G 3/4"
44	602057	1	Adapter	3/4"
45	625000	1	Grease nipple	1/8"
46	647199	1	Hose 7199	
47	017905	1	Sensor holder	

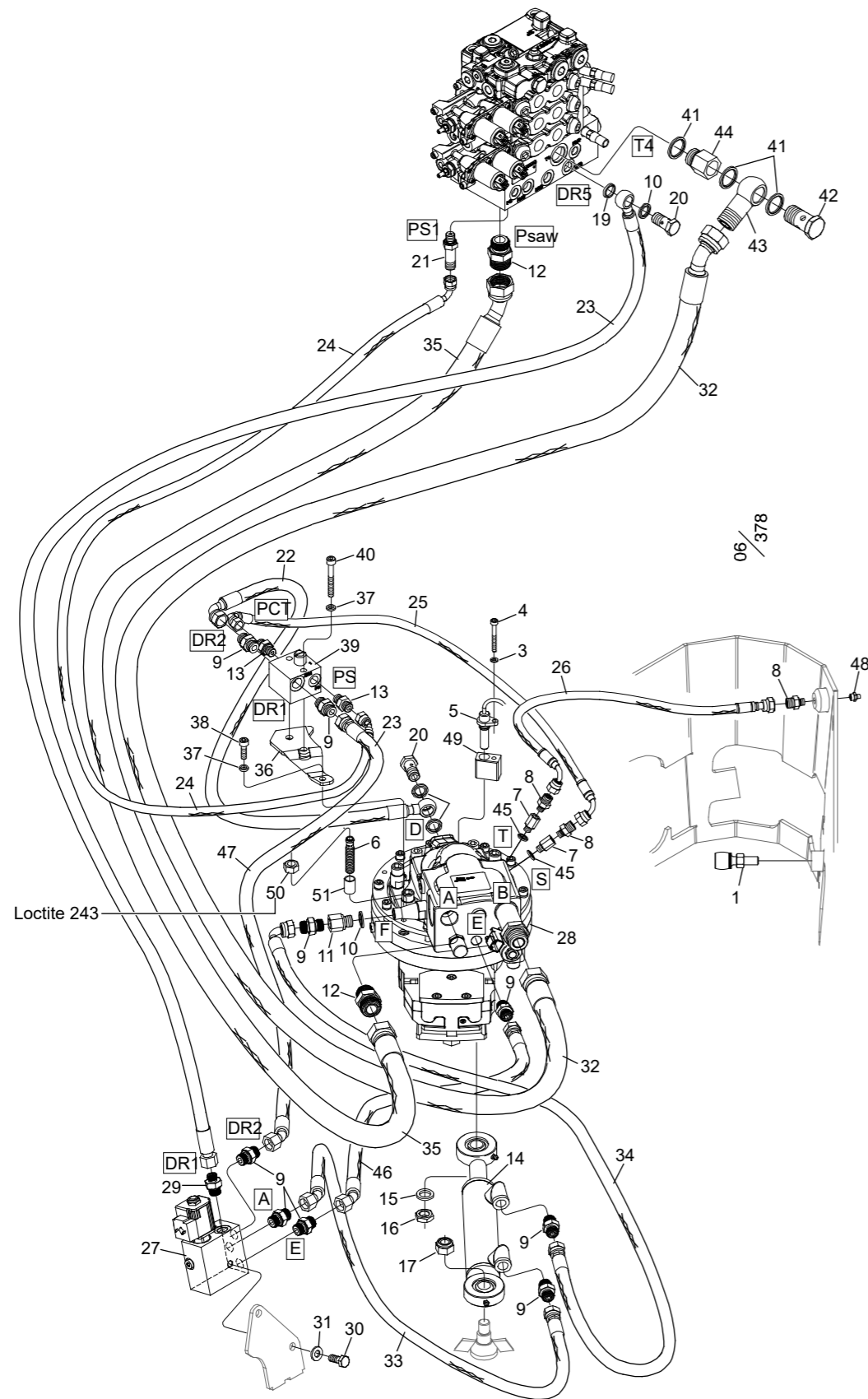
**Saw unit, 318 F11-19**

Structure 017977				
Pos.	Part no.	Quantity	Description	Specification
1	017968	1	Saw unit	
2	017972	1	Saw motor	
3	501078	10	Screw	M8x65 12.9
4	503055	10	Washer	NL8
5	018097	4	Sleeve	
6	501113	4	Screw	M12x50 12.9

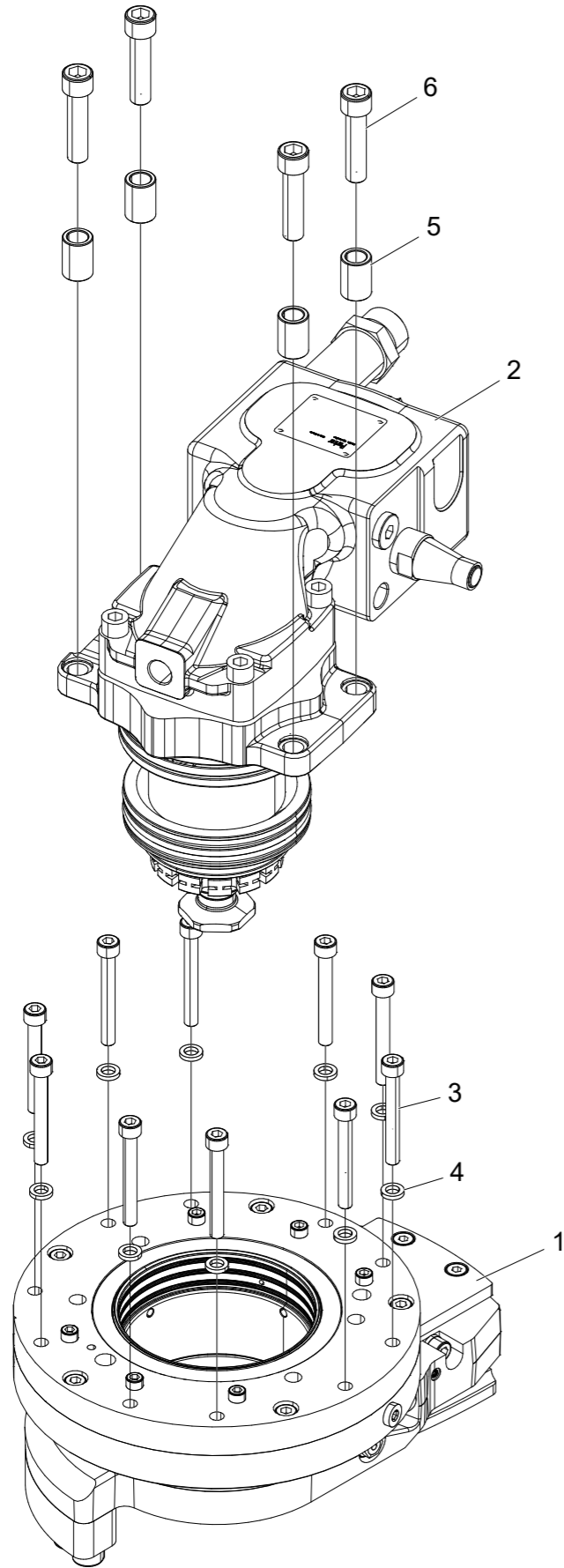


Saw hydraulics, 318 TrueCut

Structure 006710, 034656				
Pos.	Part no.	Quantity	Description	Specification
1	10000361	1	Mechanical stop	
3	503065	1	Washer	NL6
4	501053	1	Screw	MC6S M6x50 12.9
5	K5081000	1	Sensor	P114
6	401220	1	Inductive sensor	218/318
7	602083	2	Coupling	1/8" - 1/8" IF-UF
8	601749	3	Coupling	BSP 1/8" - 9/16" ORFS
9	601754	9	Coupling	BSP 3/8" - 11/16" ORFS
10	601102	4	Seal ring	3/8"
11	602051	1	Coupling	3/8"
12	601762	2	Adapter	BSP 3/4" - 1.3/16" ORFS
13	601750	3	Adapter	BSP 1/4" - 9/16" ORFS
14	017909	1	Cylinder	
15	503063	1	Washer	M16 Nordlock
16	502706	1	Nut	M16
17	502705	1	Nut	M16 Locking
19	602110	1	Seal ring	KL 10 FZB
20	601061	2	Banjo bolt	3/8"
21	601751	1	Adapter	G 3/8"
22	647123	1	Hose 7123	BSP 1/4" - 9/16" ORFS
23	647234	1	Hose 7234	
24	647128	1	Hose 7128	
25	647161	1	Hose 7161	
26	647160	1	Hose 7160	
27	018216	1	Manifold	
28	018711	1	Saw unit	F11-19 TC
29	601754	1	Adapter	BSP -06/ ORFS -06
30	500068	1	Screw	M10x25 8.8 FZB
31	503075	1	Washer	NL10
32	647214	1	Hose 7214	
33	647231	1	Hose 7231	
34	647232	1	Hose 7232	

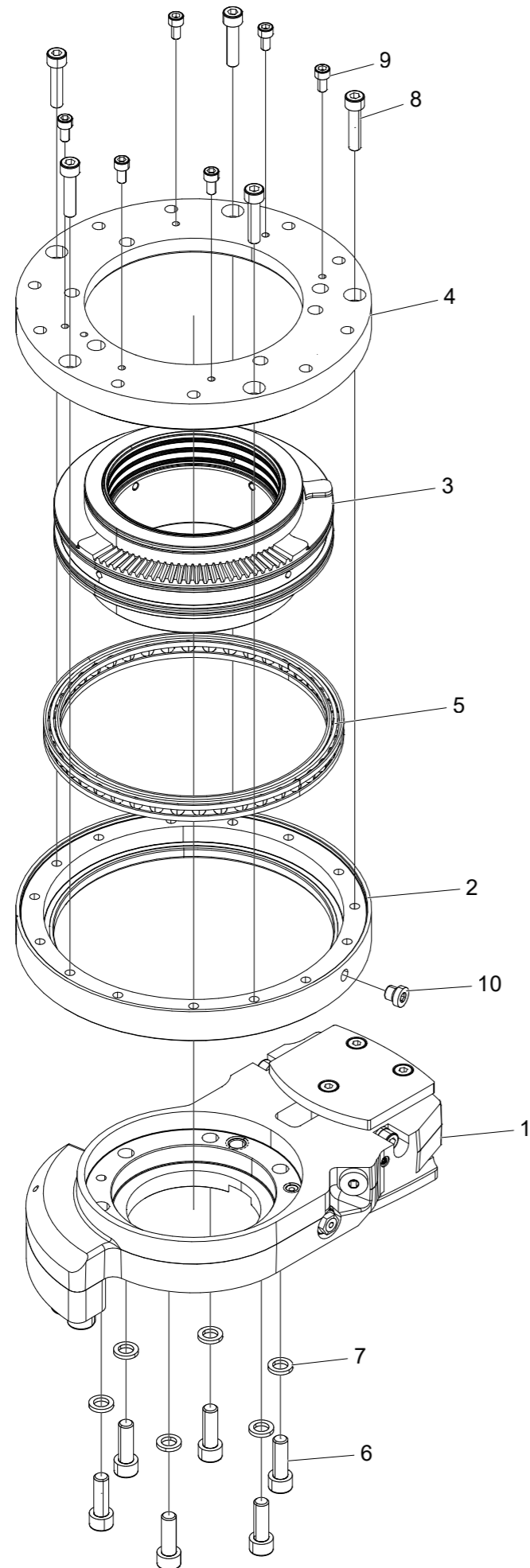


Structure				
Pos.	Part no.	Quantity	Description	Specification
35	647205	1	Hose 7205	
36	017791	1	Manifold bracket	
37	503055	4	Washer	M8 Nordlock
38	501070	2	Screw	MC6S M8x25 12.9
39	017617	1	Manifold	
40	501077	2	Screw	MC6S M8x60 12.9
41	601104	3	Seal ring	3/4"
42	601716	1	Banjo bolt	G 3/4"
43	601779	1	Banjo body	G 3/4"
44	602057	1	Adapter	R3/4"-R3/4"
45	601100	2	Seal ring	1/8"
46	647230	1	Hose 7230	
47	647233	1	Hose 7233	
48	625000	1	Grease nipple	KR 1/8" R
49	017905	1	Sensor holder	
50	502721	1	Nut	M12x1.0
51	017906	1	Spacer tube	

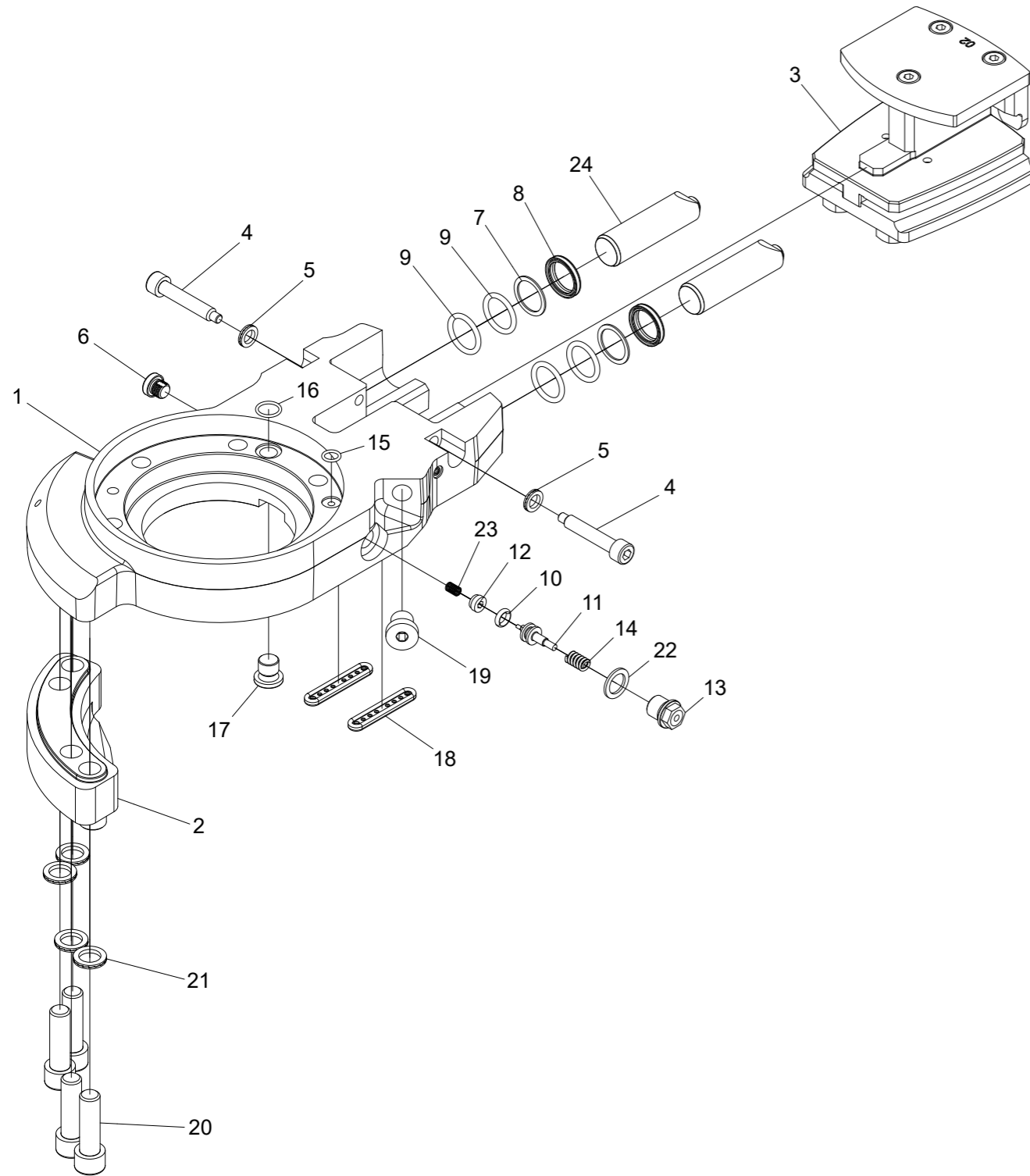


Saw unit, 318 F11-19 TrueCut

Structure 018711				
Pos.	Part no.	Quantity	Description	Specification
1	017968	1	Saw unit	
2	018709	1	Saw motor	
3	501078	10	Screw	M8x65 12.9
4	503055	10	Washer	NL8
5	018097	4	Sleeve	
6	501113	4	Screw	M12x50 12.9

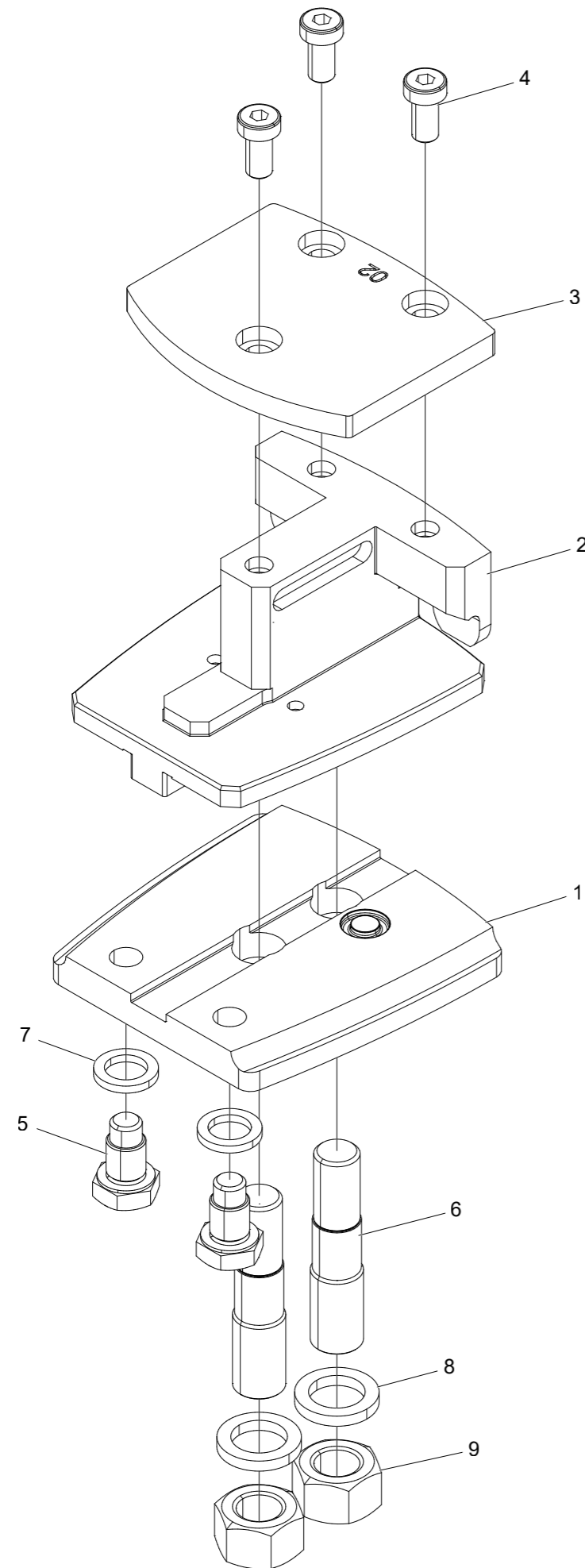
**Saw unit, 318-02**

Structure 017968				
Pos.	Part no.	Quantity	Description	Specification
1	017902	1	Saw bracket	
2	017884	1	Cover	
3	017908	1	Bearing unit	
4	017883	1	Bracket	
5	508100	1	Bearing	
6	501090	6	Screw	MC6S M10x30 12.9
7	503057	6	Washer	M10 Nordlock
8	501072	5	Screw	MC6S M8x35 12.9
9	501043	6	Screw	MC6S M6x12 12.9
10	601000	1	Hex plug	1/8" R



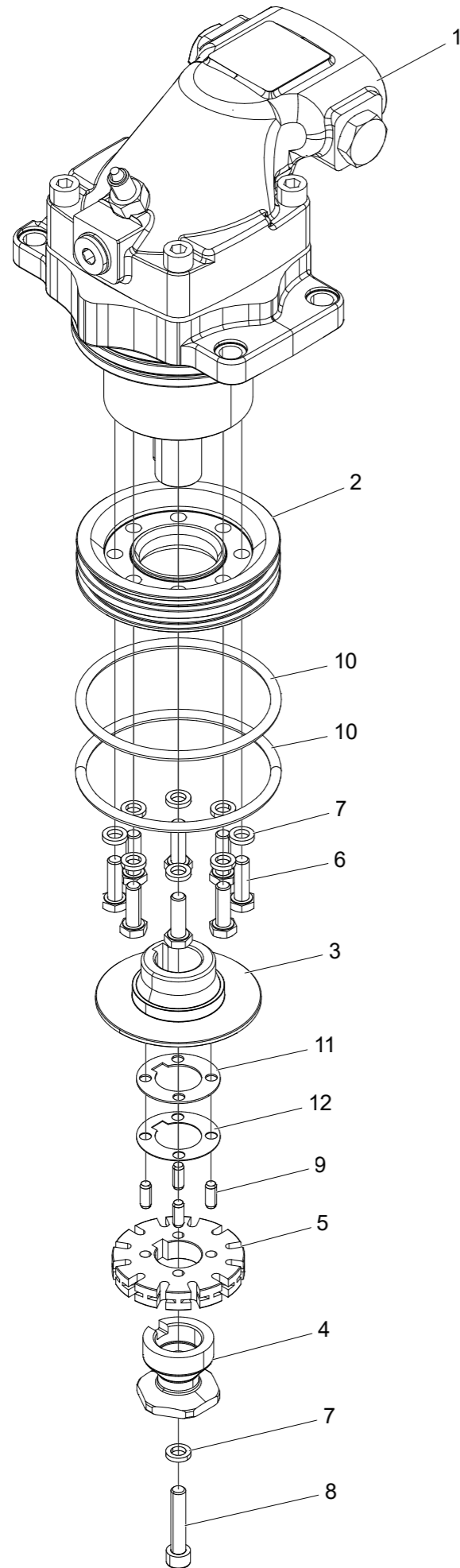
Saw bar bracket, 318-02

Structure 017902				
Pos.	Part no.	Quantity	Description	Specification
1	017729	1	Saw bar bracket	
2	017895	1	Cylinder bracket	
3	017892	1	Saw bar holder	
4	017903	2	Stop screw	M8
5	503055	2	Washer	NL8
6	018221	1	Breather plug	1/8"
7	554194	2	Support ring	25,2/20,1
8	554195	2	Scraper	
9	543089	4	O-ring	20,2x3
10	543087	1	O-ring	
11	554248	1	Piston	
12	617047	1	Check valve	
13	554249	1	Plug	
14	526033	1	Spring	
15	543084	1	O-ring	8,1x1,6
16	540009	1	O-ring	12,1x1,6
17	602122	1	Plug	M12x1,5
18	635223	2	Seal	
19	601001	1	Hex plug	1/4"
20	501111	4	Screw	M12x40 12.9
21	503060	4	Washer	NL12
22	601200	1	Copper seal	13x19x1,5
23	526037	1	Spring	
24	018849	2	Piston	



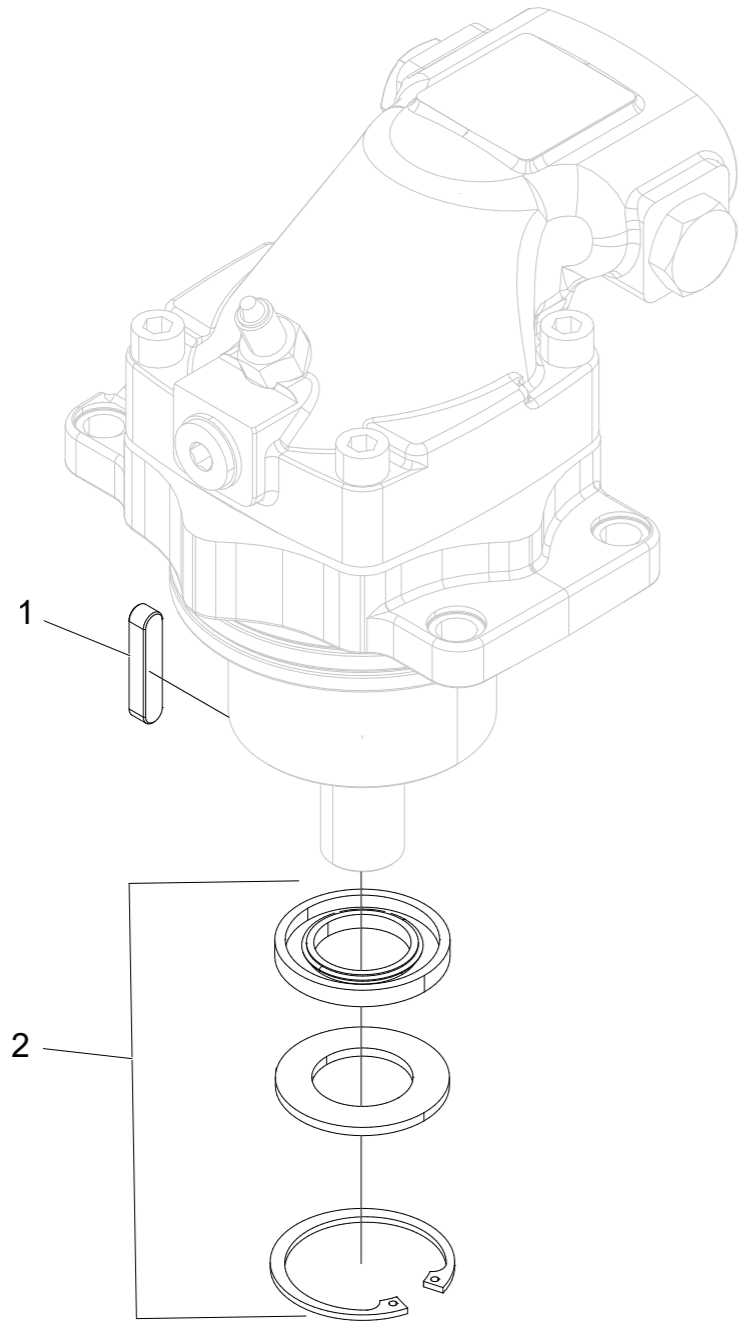
Saw bar holder, 318-02

Structure 017892				
Pos.	Part no.	Quantity	Description	Specification
1	017891	1	Plate	Lower / Nedre
2	017890	1	Middle section	
3	017889	1	Plate	Upper / Övre
4	505079	3	Screw	MLC6S M8x16 10.9
5	018763	2	Dowel pin	M12
6	017980	2	Pin bolt	M14 / M16
7	503060	2	Washer	M12 Nordlock
8	503063	2	Washer	M16 Nordlock
9	502009	2	Nut	M6M M16 FZB

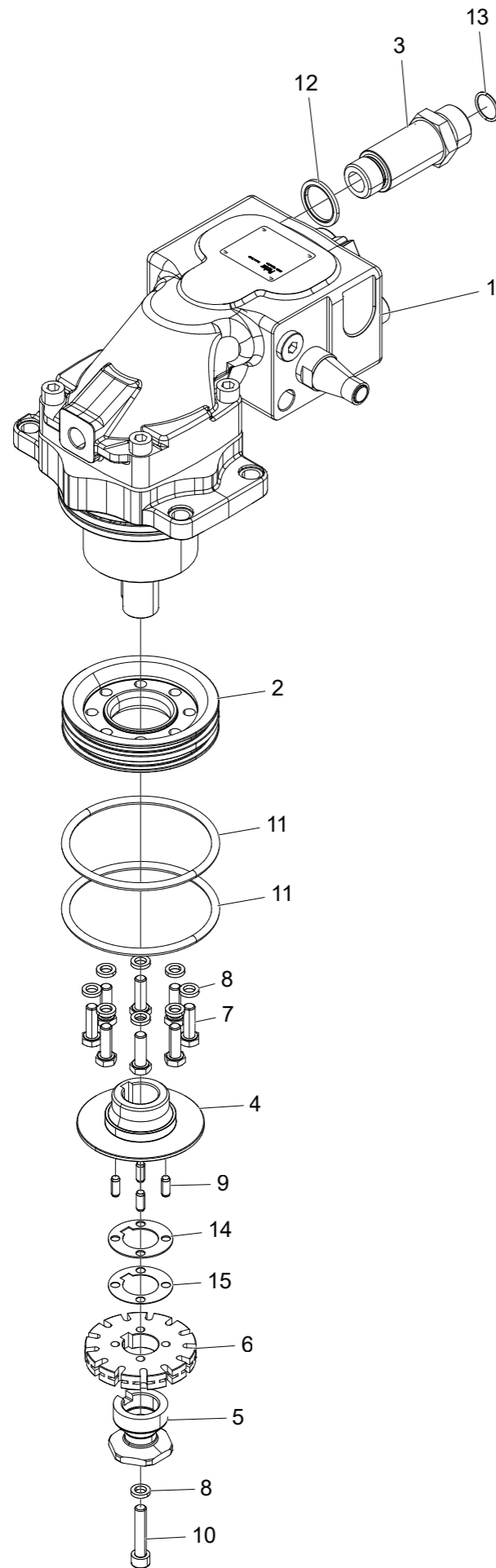


Saw motor, F11-19, assembly

Structure 017972				
Pos.	Part no.	Quantity	Description	Specification
1	609108	1	Saw motor	
2	017904	1	Seal retainer	
3	017896	1	Feed wheel carrier	
4	017897	1	Chain catcher	
5	549103	1	Sprocket	z= 12
6	500045	8	Screw	M6S M8x25 8.8 FZB
7	503055	9	Washer	M8 Nordlock
8	501073	1	Screw	MC6S M8x40 12.9
9	515032	4	Cylindrical pin	Ø6
10	543062	2	O-ring	99,10x5,70
11	549211	1	Shim	25 - 1,0 mm
12	549210	1	Shim	25 - 0,5 mm

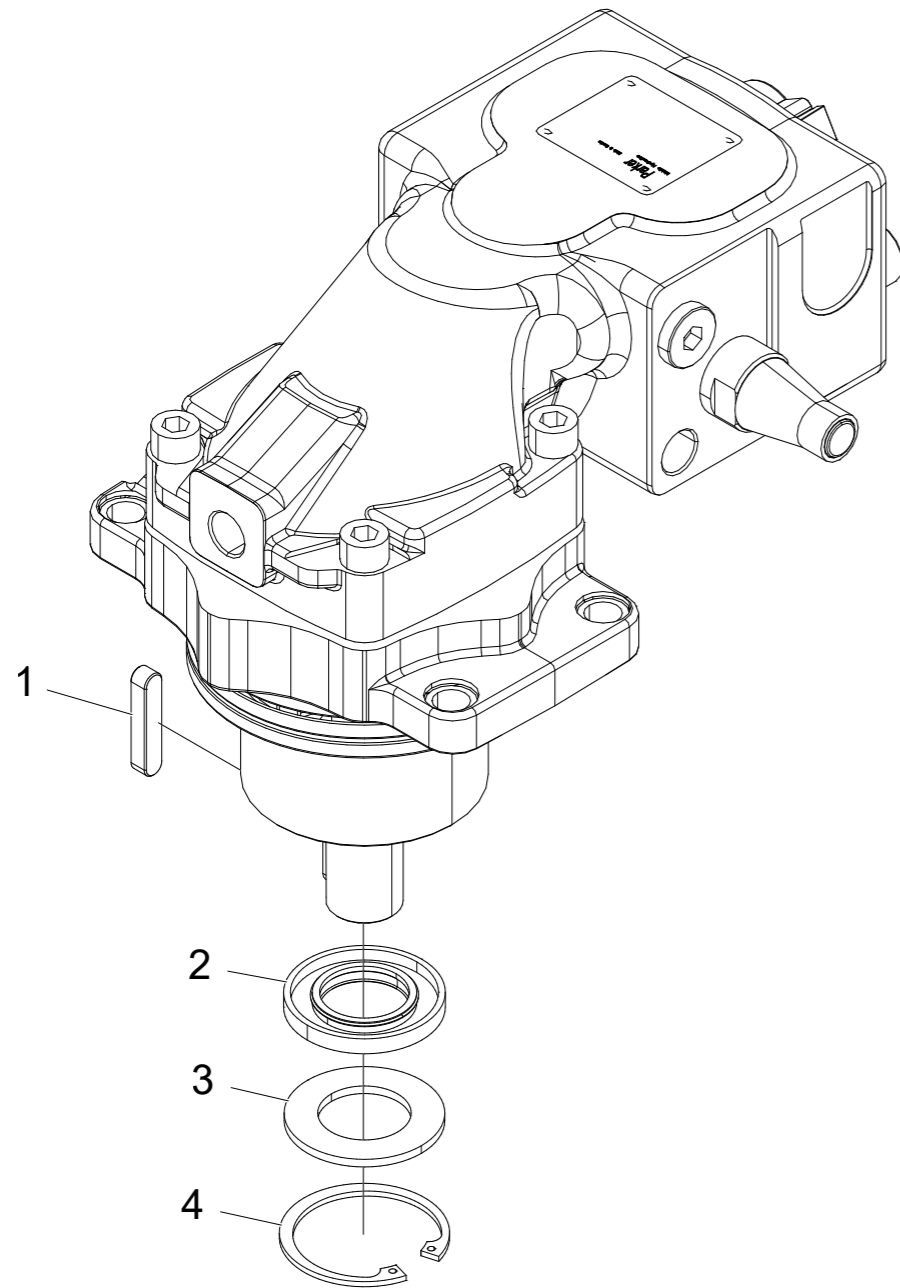
**Saw motor, F11-19**

Structure 609108				
Pos.	Part no.	Quantity	Description	Specification
1	554077	1	Key	
2	554232	1	Seal kit	



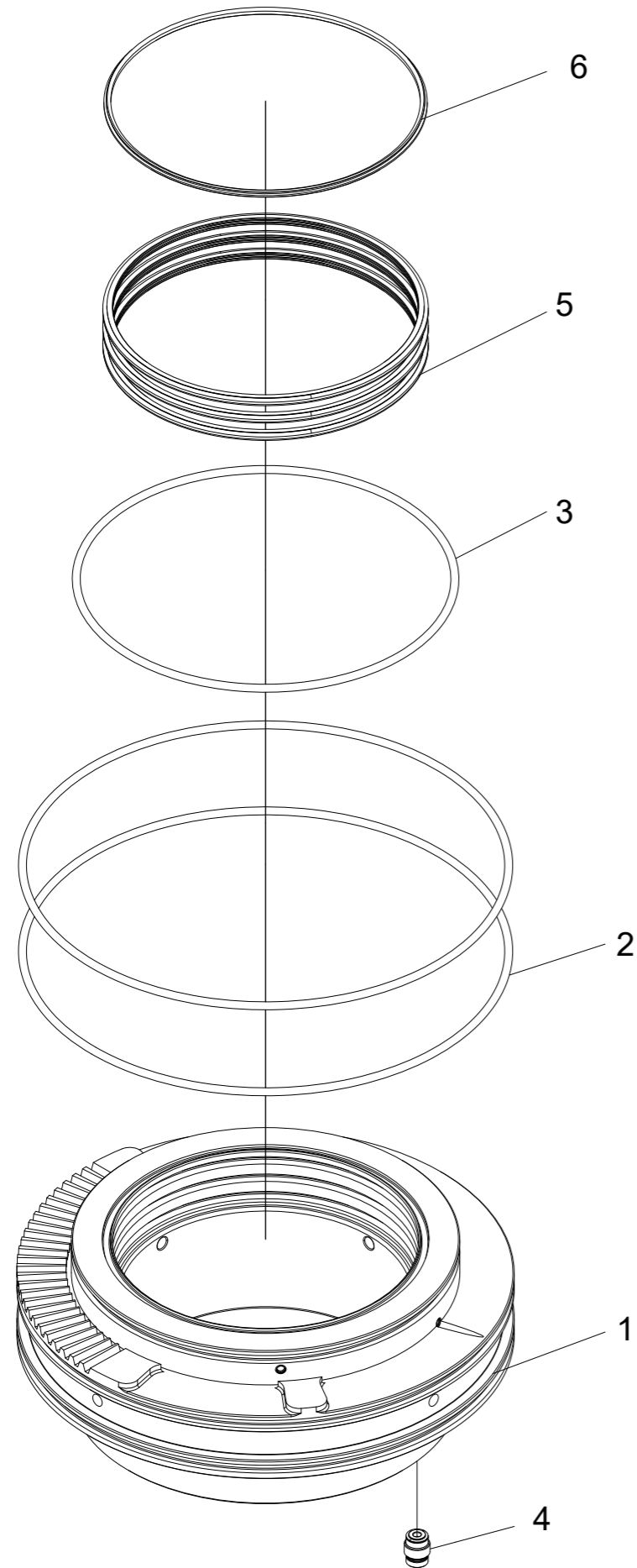
Saw motor, TrueCut, assembly

Structure 018709				
Pos.	Part no.	Quantity	Description	Specification
1	609129	1	Saw motor	
2	017904	1	Seal retainer	
3	017907	1	Adapter	3/4" - ORFS 12
4	017896	1	Feed wheel carrier	
5	017897	1	Chain catcher	
6	549105	1	Sprocket	z=13
7	500045	8	Screw	M8x25 8.8 FZB
8	503055	9	Washer	NL8
9	515032	4	Cylindrical pin	Ø6
10	501073	1	Screw	M8x40 12.9
11	543062	2	O-ring	99,10x5,70
12	601104	1	Seal ring	3/4"
13	543165	1	O-ring	18,77x1,78
14	549211	1	Shim	25 - 1,0 mm
15	549210	1	Shim	25 - 0,5 mm



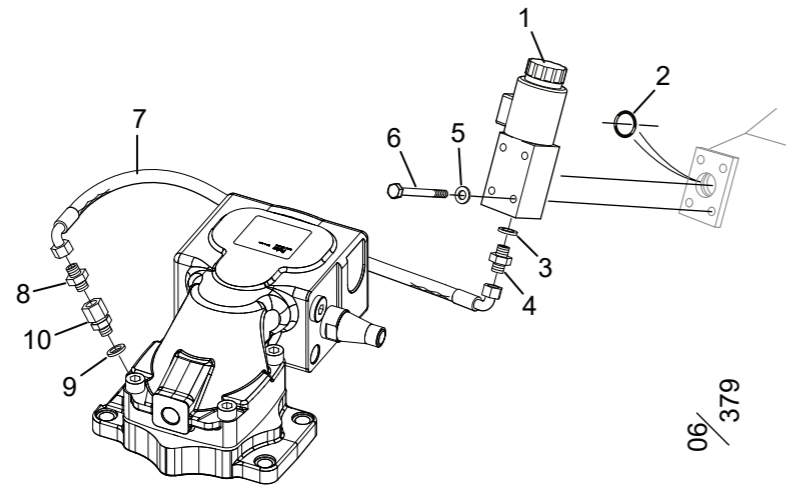
Saw motor, TrueCut

Structure 609129				
Pos.	Part no.	Quantity	Description	Specification
1	554077	1	Key	
2	554030	1	Seal ring	
3	554278	1	Spacer	
4	517245	1	Lock ring	SGH 52



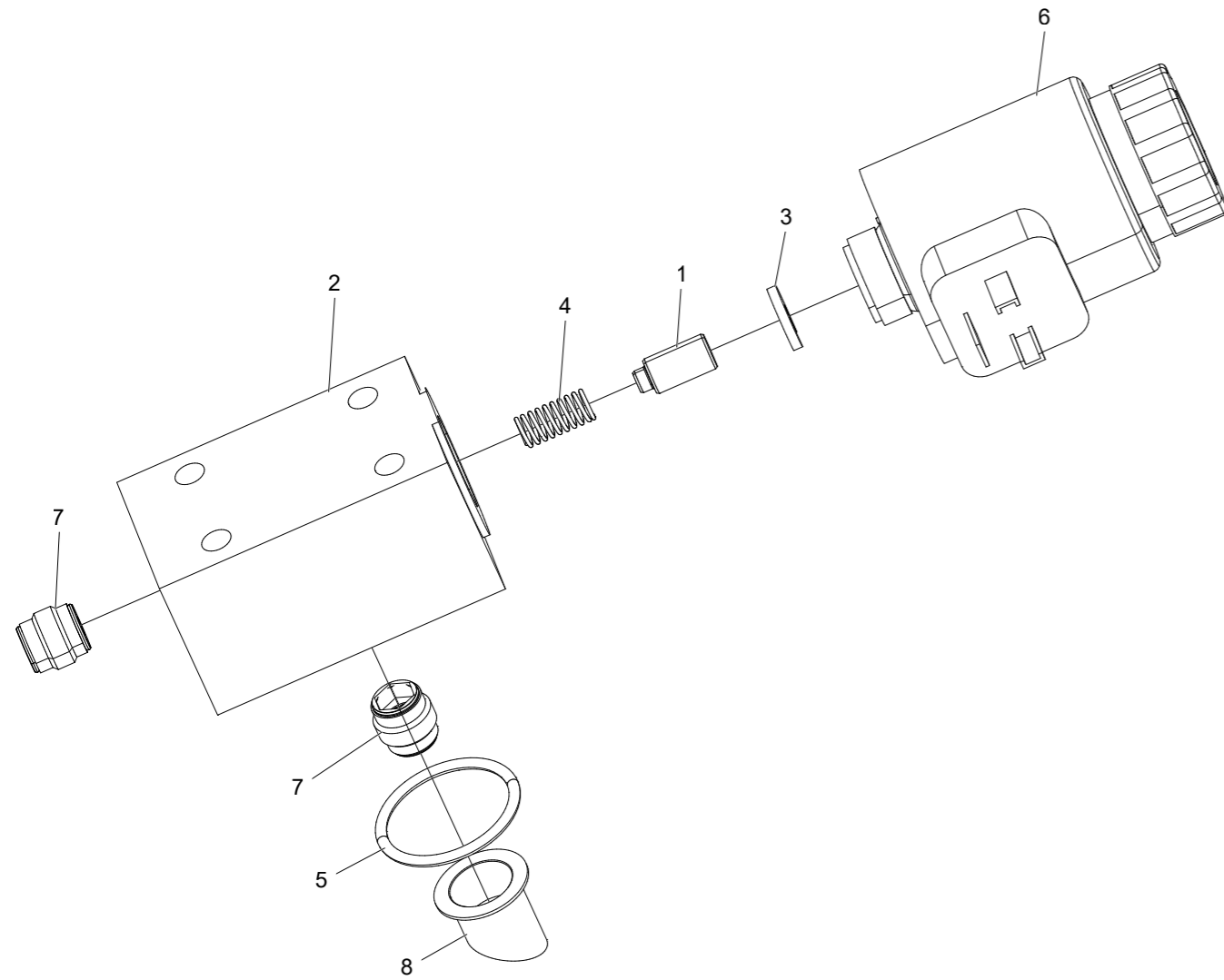
Bearing unit

Structure 017908				
Pos.	Part no.	Quantity	Description	Specification
1	017726	1	Bearing unit	
2	543038	2	O-ring	180x3
3	543061	1	O-ring	139,5x3,0
4	617046	1	Check valve	
5	10001436	3	Seal ring	
6	635221	1	V – ring	



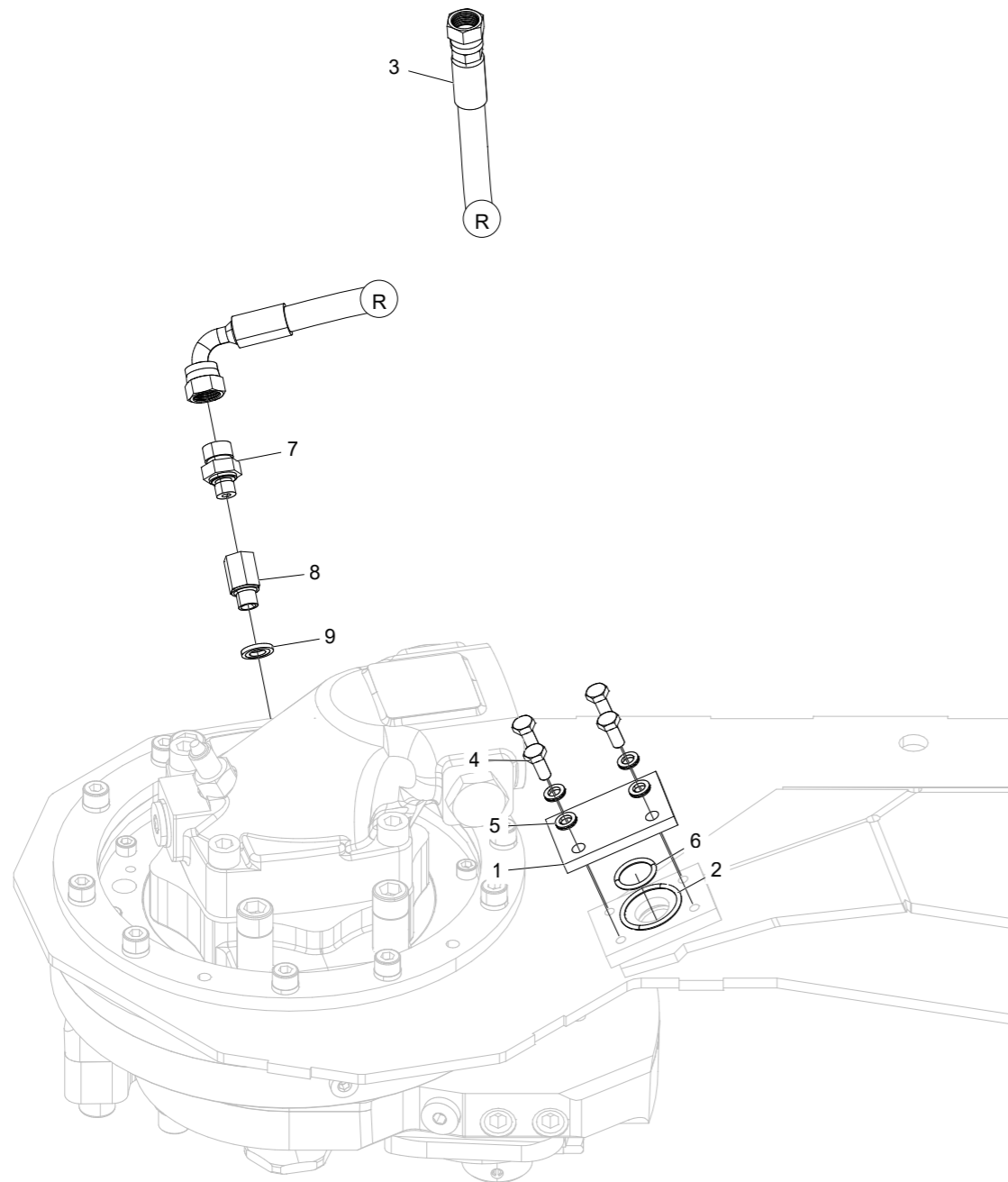
Chain lubrication, Easy Greasy

Structure 006714				
Pos.	Part no.	Quantity	Description	Specification
1	033027	1	Easy greasy compl.	
2	540074	1	O-ring	17.3x2.4
3	601101	1	Seal ring	1/4"
4	601750	1	Adapter	BSP – 04 / ORFS – 04
5	503065	4	Washer	M6 Nordlock
6	500029	4	Screw	M6S M6x45 8.8 FZB
7	647159	1	Hose 7159	
8	601749	1	Adapter	BSP -02 / ORFS -04
9	601100	1	Seal ring	1/8"
10	602083	1	Adapter	1/8"



Easy Greasy pump

Structure 033027				
Pos.	Part no.	Quantity	Description	Specification
1	010897	1	Piston	0.20 cm ³
2	016282	1	Pump housing	
3	016426	1	Spacer	
4	526005	1	Spring	
5	543012	1	O-ring	27.6x2.4
6	613062	1	Solenoid	24V
7	617016	2	Check valve	
8	620302	1	Filter	

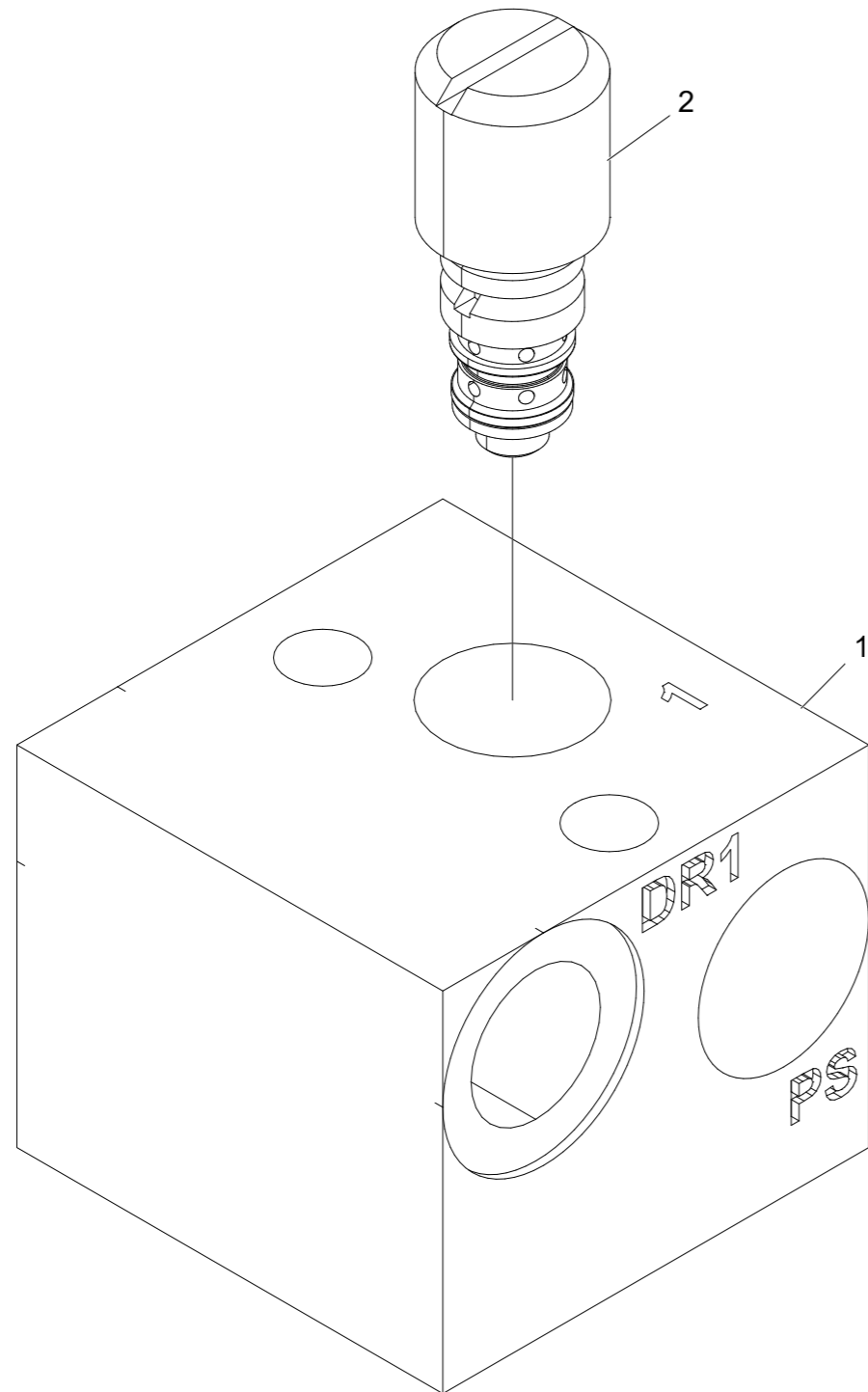


06/047

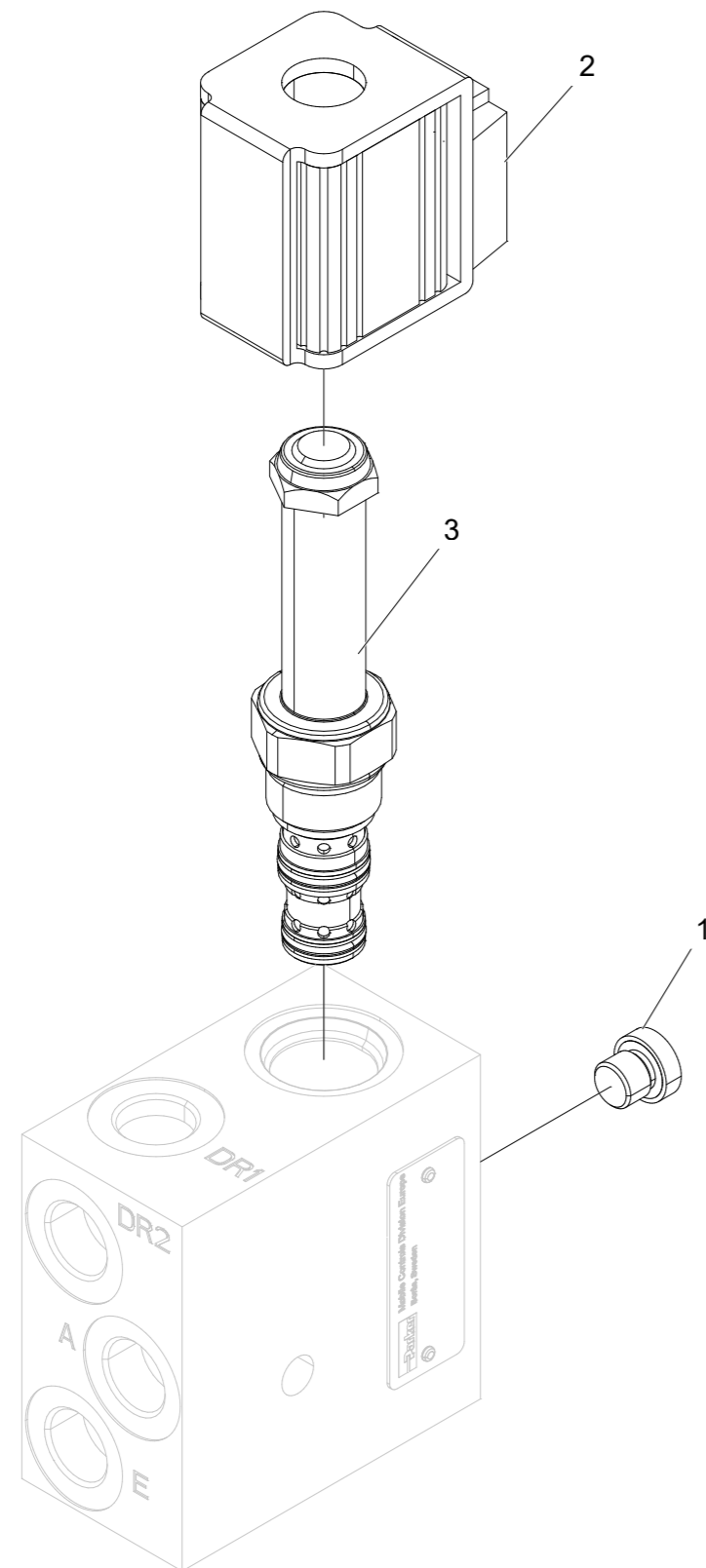
Grease lubrication

Grease lubrication

Structure 034669				
Pos.	Part no.	Quantity	Description	Specification
1	016851	1	Cover	
2	543012	1	O-ring	27.6x2.4
3	644306	1	Hose 4306	
4	500022	4	Screw	M6S M6x14 8.8 FZB
5	503065	4	Washer	M6 Nordlock
6	540074	1	O-ring	17.3x2.4
7	601749	1	Adapter	BSP – 02 / ORFS – 04
8	602083	1	Adapter	1/8"
9	601100	1	Seal ring	1/8"

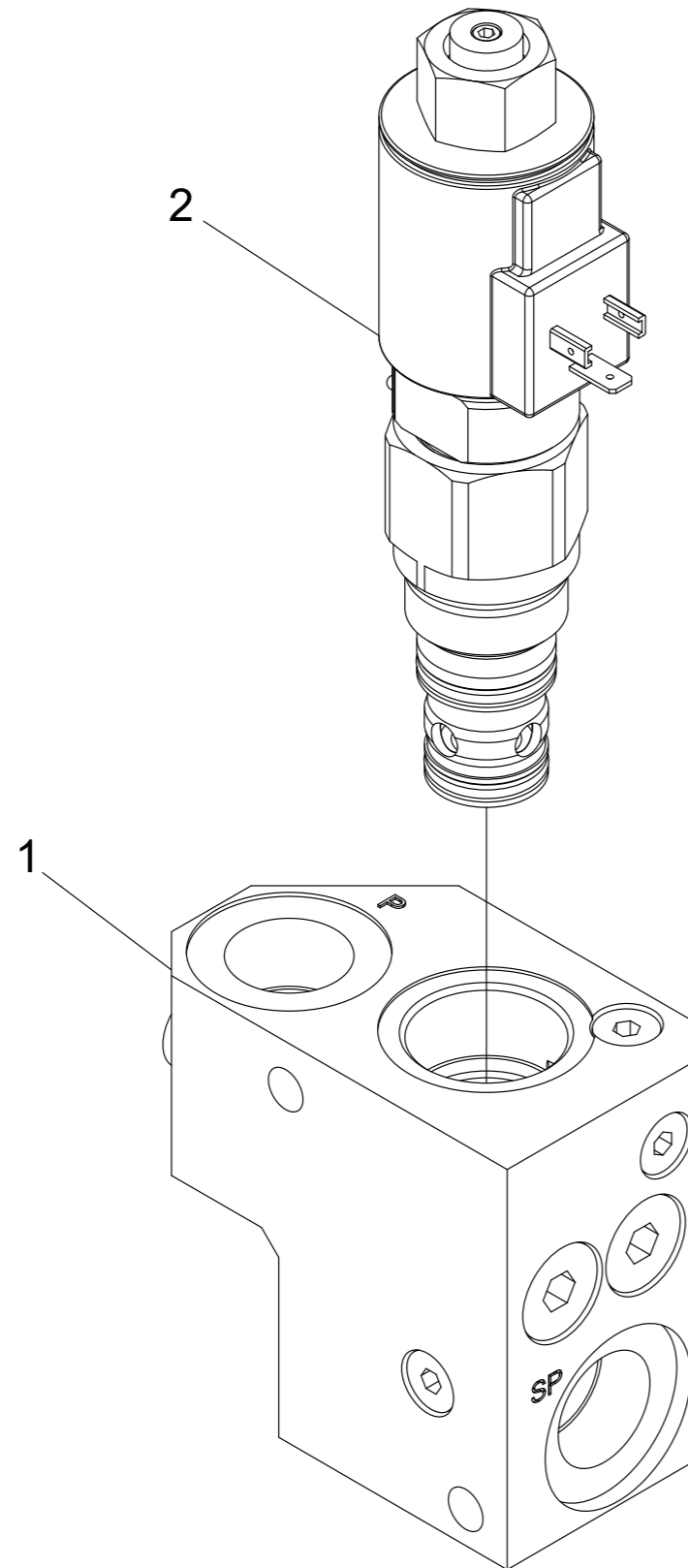
**Manifold, saw unit, 318**

Structure 017617				
Pos.	Part no.	Quantity	Description	Specification
1	612070	1	Manifold	
2	619039	1	Pressure reducer valve	



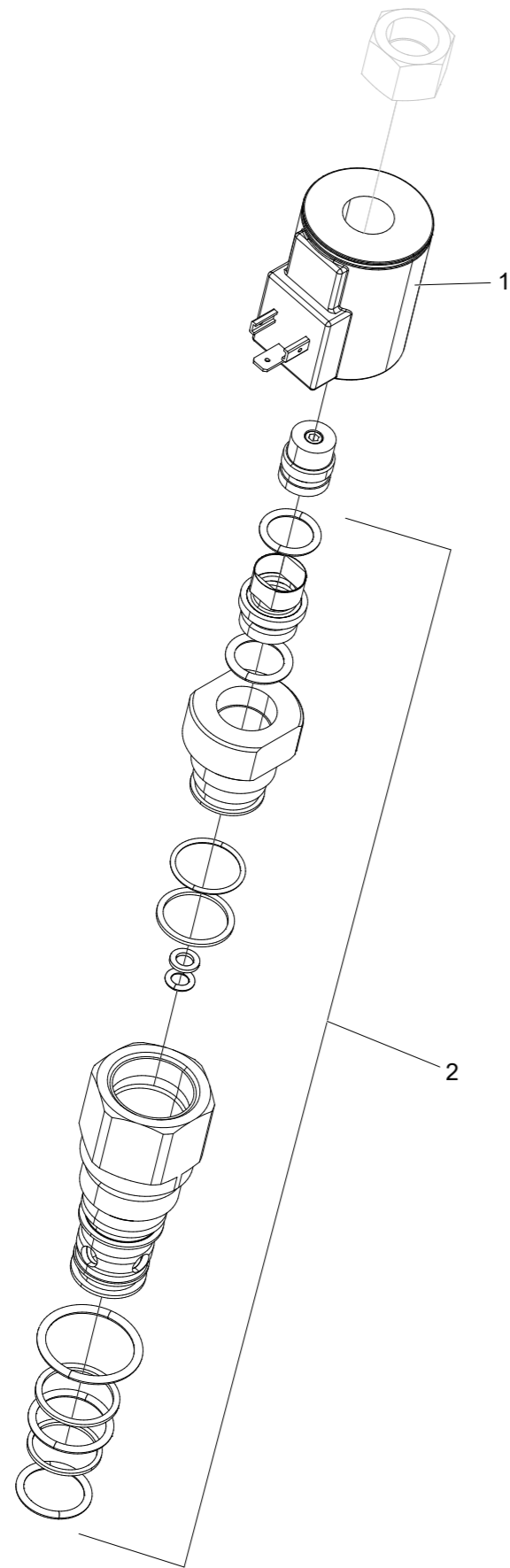
Manifold, TrueCut, 218 & 318

Structure 018216				
Pos.	Part no.	Quantity	Description	Specification
1	601000	1	Plug	1/8"
2	612088	1	Solenoid	1 5/8" JIC
3	612087	1	Valve	



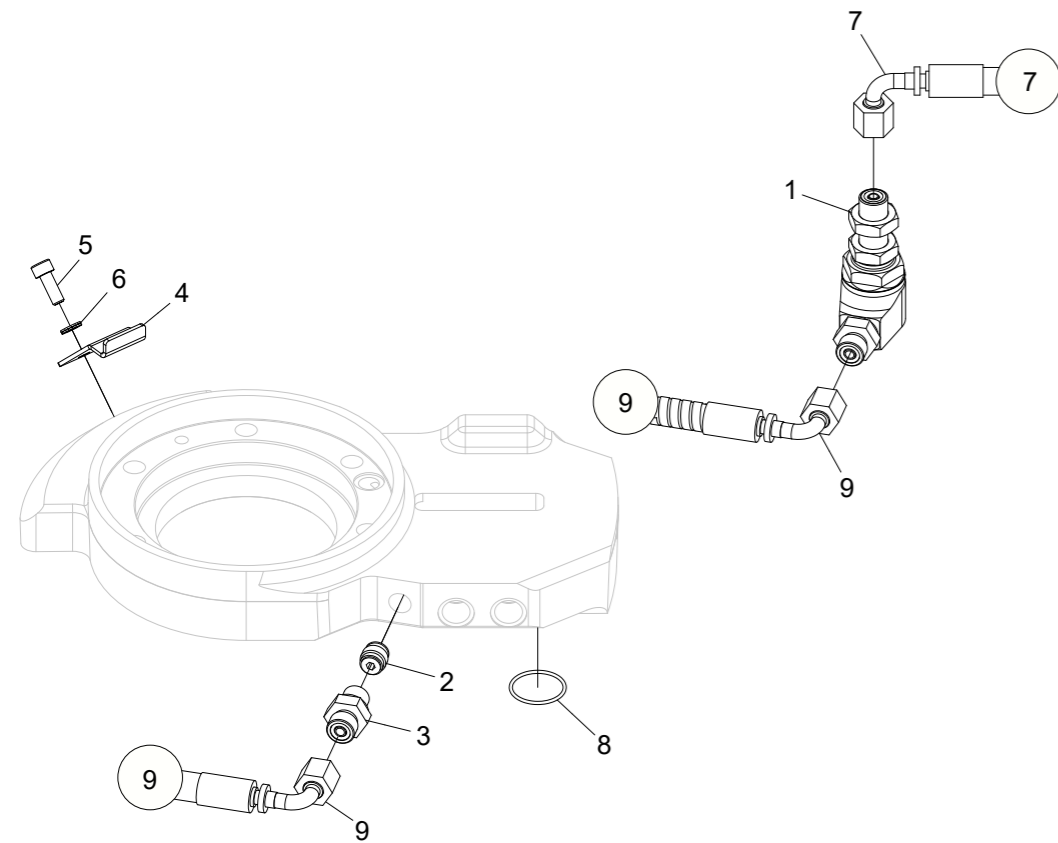
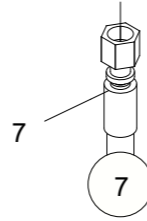
Manifold

Structure 016726				
Pos.	Part no.	Quantity	Description	Specification
1	612034	1	Manifold	
2	10000803	1	Flow control valve	



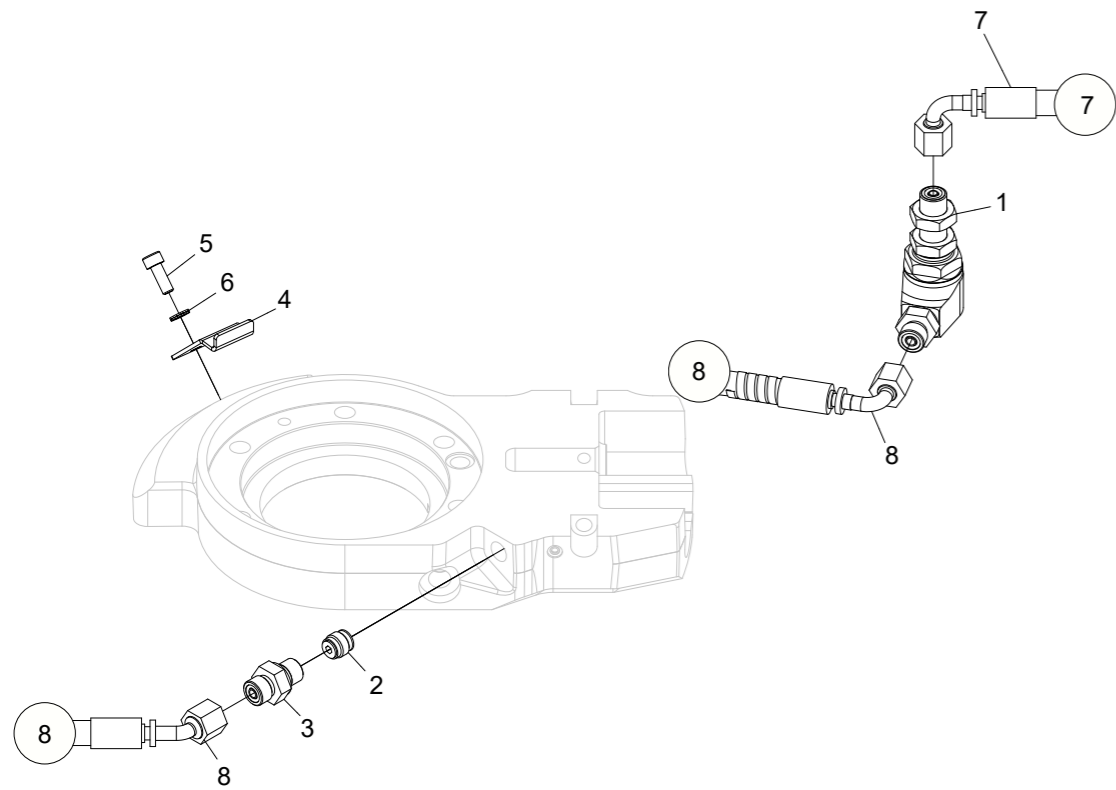
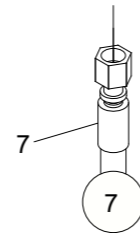
Flow control valve

Structure 10000803				
Pos.	Part no.	Quantity	Description	Specification
1	613057	1	Solenoid	
2	620355	1	Seal kit	



Stump treatment 218

Structure 034680				
Pos.	Part no.	Quantity	Description	Specification
1	018524	1	Swivel	
2	617048	1	Check valve	
3	601750	1	Adapter	BSP 1/4" - 9/16" ORFS
4	018525	1	Bracket	
5	501045	1	Screw	M6x16 12.9
6	503065	1	Washer	NL6
7	647201	1	Hydraulic hose	
8	540018	1	O-ring	25,1x1,6 NBR 70
9	647249	1	Hydraulic hose	



Stump treatment 318

Structure 034681				
Pos.	Part no.	Quantity	Description	Specification
1	018524	1	Swivel	
2	617048	1	Check valve	
3	601750	1	Adapter	BSP 1/4" - 9/16" ORFS
4	018525	1	Bracket	
5	501045	1	Screw	M6x16 12.9
6	503065	1	Washer	NL6
7	647201	1	Hydraulic hose	
8	647250	1	Hydraulic hose	

Saw 218/318 F11-19 saw bars and saw chains

Structure				
Pos.	Part no.	Quantity	Description	Specification
	549518-160		Saw bar	18H 600 mm z=12
	549518-167		Saw bar	18H 670 mm z=12
	549018-073		Saw chain	73E 0,404
	549018-081		Saw chain	81E 0,404

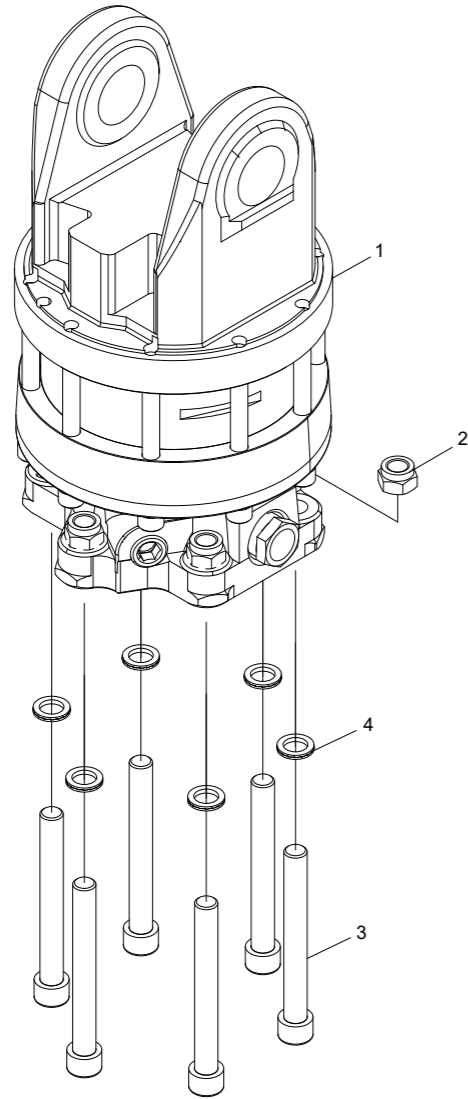
Saw 218 True-Cut saw bars and saw chains

Structure				
Pos.	Part no.	Quantity	Description	Specification
	549518-160		Saw bar	18H 600 mm z=13
	549518-167		Saw bar	18H 670 mm z=13
	549018-073		Saw chain	73E 0,404
	549018-081		Saw chain	81E 0,404

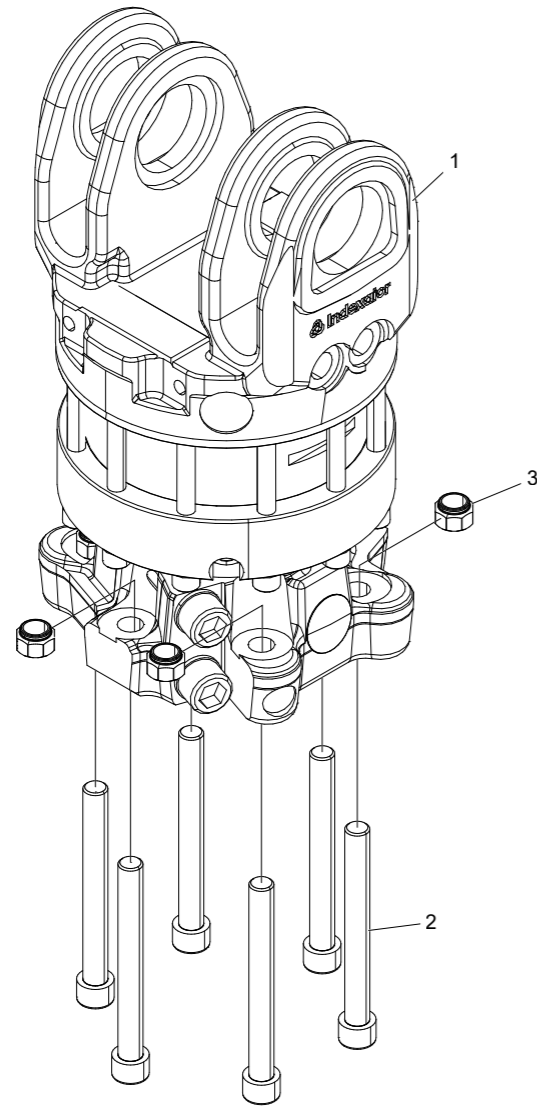
Saw 318 Ture-Cut saw bars and saw chains

Structure				
Pos.	Part no.	Quantity	Description	Specification
	549518-160		Saw bar	18H 600 mm z=13
	549518-167		Saw bar	18H 670 mm z=13
	549018-074		Saw chain	74E 0,404
	549018-081		Saw chain	81E 0,404

Rotators

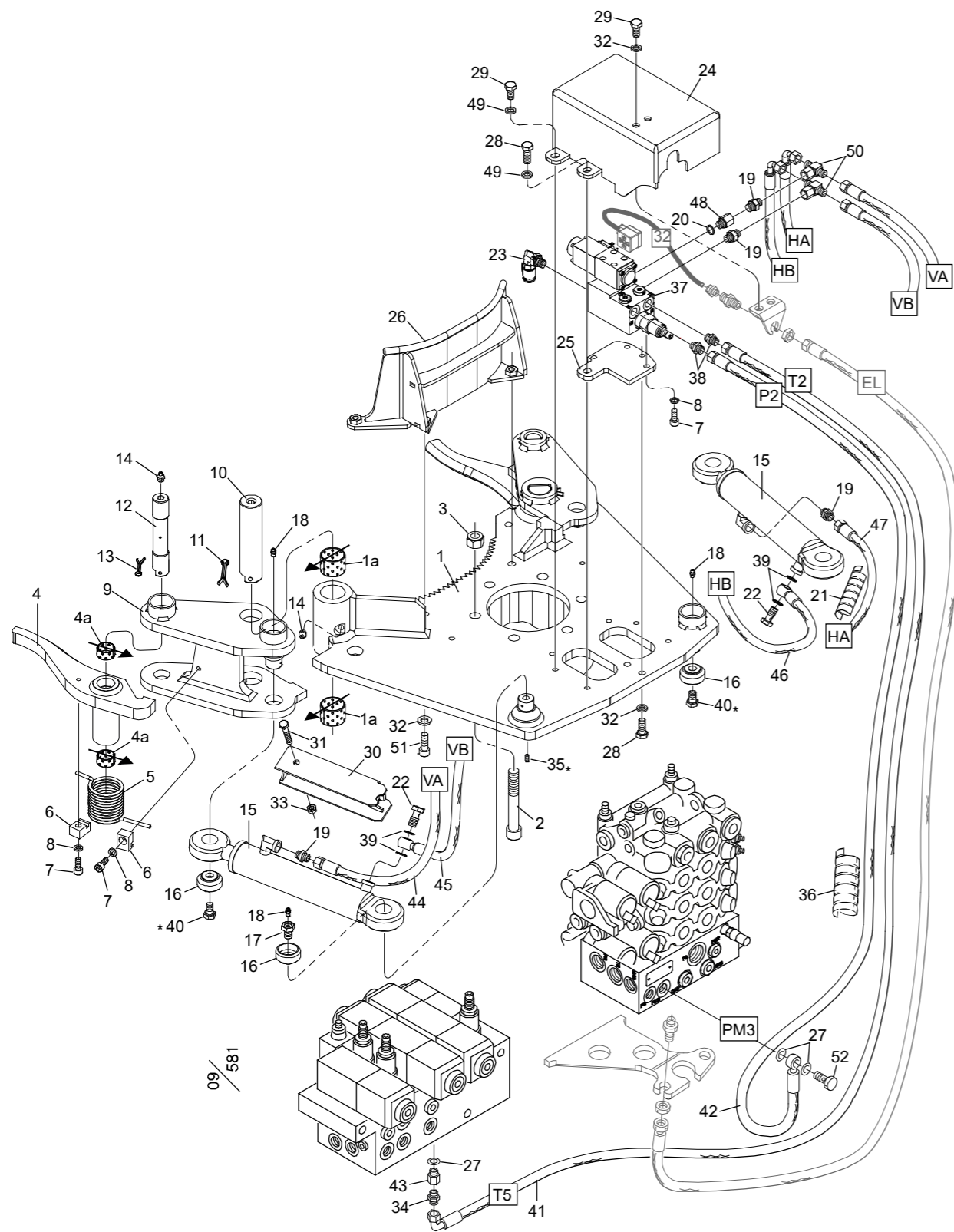
**Rotator AV 12S**

Structure 033014				
Pos.	Part no.	Quantity	Description	Specification
1	618031	1	Rotator	
2	502705	6	Nut	M16
3	501145	6	Screw	M16x140 12.9
4	503063	6	Washer	NL16

**Rotator H152D**

Structure 034629				
Pos.	Part no.	Quantity	Description	Specification
1	618075	1	Rotator	
2	501146	6	Screw	M16x150 12.9
3	502705	6	Nut	M16 KL10 FZB

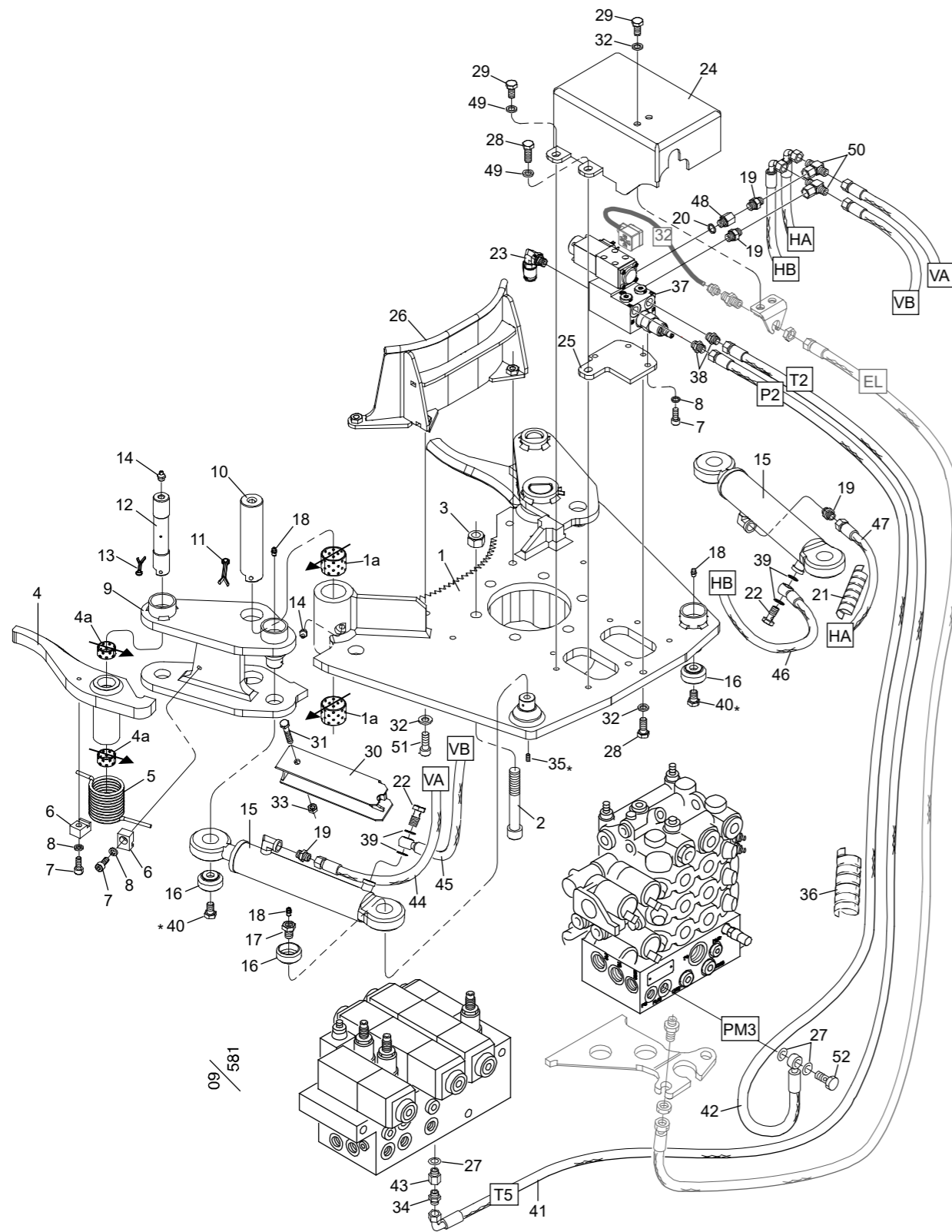
Accessories



* Loctite 243

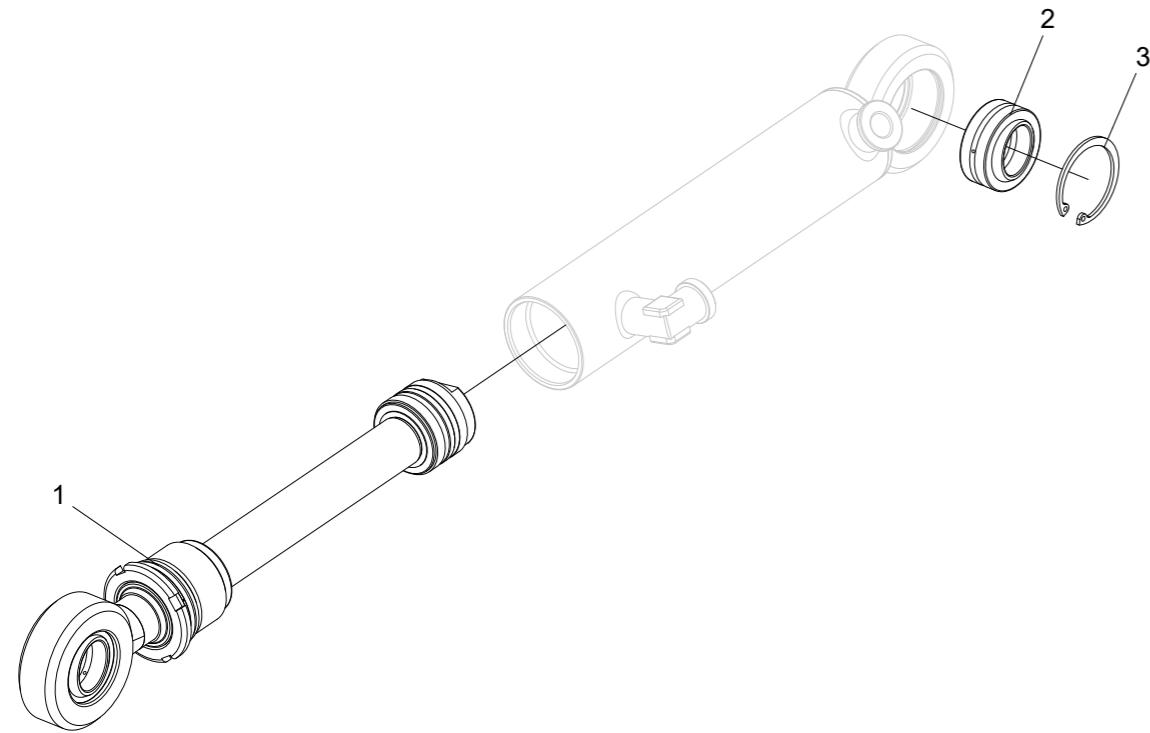
Accumulation kit

Structure 034640				
Pos.	Part no.	Quantity	Description	Specification
1	015567	1	Bracket	
1a	512012	4	Bushing	35x30
2	501149	6	Screw	M16x240 12.9
3	502705	6	Nut	M16
4	015565	2	Arm	
4a	512004	4	Bushing	25/28x15
5	015081	2	Torsion spring	
6	015079	4	Clamp	
7	501068	6	Screw	M8x20 12.9
8	503055	6	Washer	NL8
9	015075	2	Arm	
10	010178-1	2	Pin	Ø35
11	516002	2	Cotter pin	6,3x50
12	011087	2	Pin	Ø25
13	516001	2	Cotter pin	5x32 FZB
14	625000	4	Grease nipple	1/8"
15	019000	2	Cylinder	
16	012447	4	Sleeve	
17	012650	1	Screw	
18	625004	4	Grease nipple	M6
19	601750	4	Adapter	1/4"
20	601101	1	Seal ring	1/4"
21	615049	2	Hose cover	3/4"
22	601704	2	Banjo bolt	1/4"
23	601263	1	Test point	1/4"
24	016670	1	Cover	
25	016668	1	Bracket	
26	017060	1	Support plate	
27	601102	3	Seal ring	3/8"
28	500068	1	Screw	M10x25 8.8 FZB
29	500066	5	Screw	M10x20 8.8 FZB
30	014511	2	Cylinder cover	
31	500077	2	Screw	M10x70 8.8 FZB



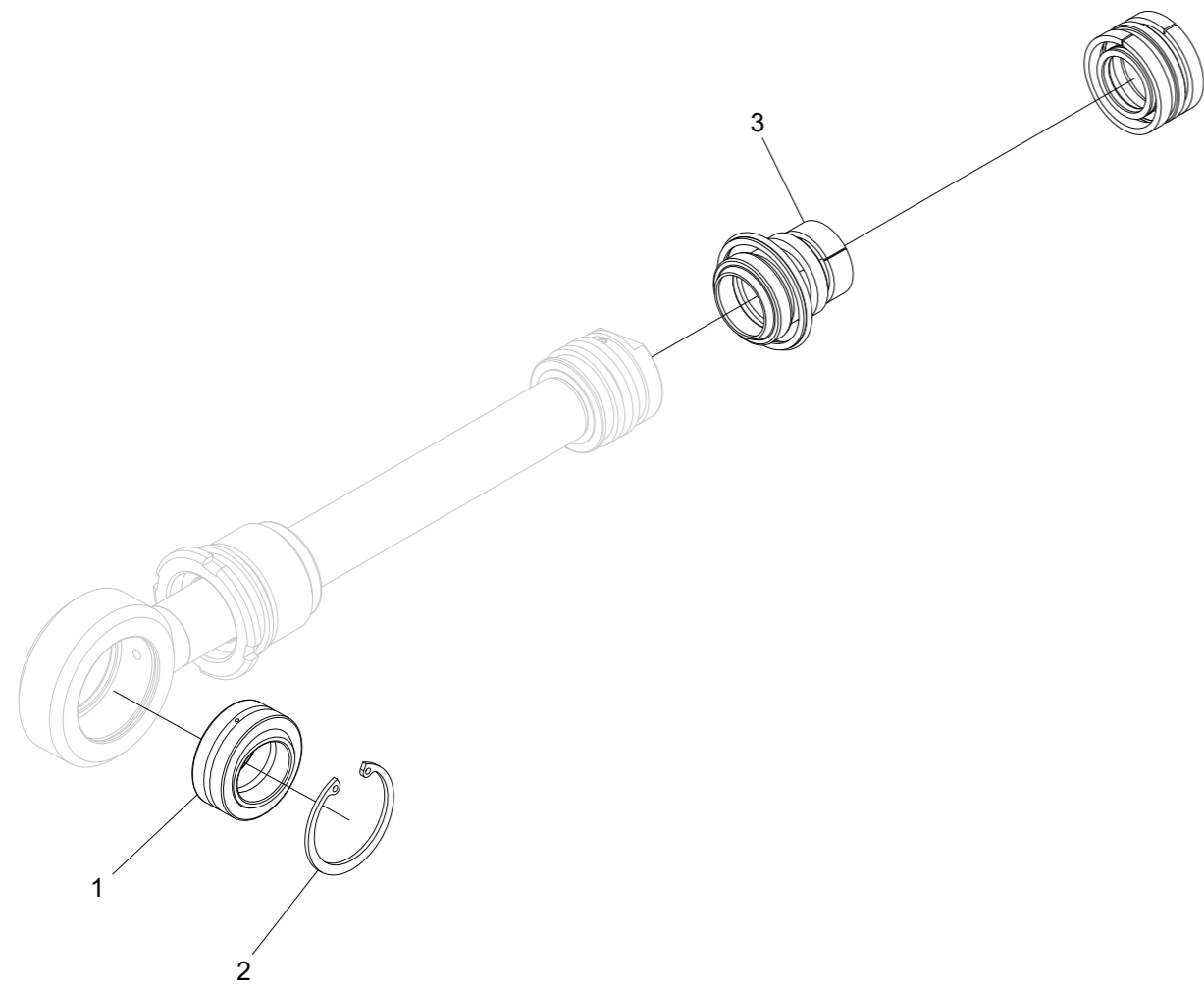
* Loctite 243

Structure				
Pos.	Part no.	Quantity	Description	Specification
32	503057	8	Washer	NL10
33	502055	2	Nut	M10
34	601754	1	Coupling	3/8"
35	513040	1	Screw	M6x6
36	615050	1	Hose cover	1"
37	013862	1	Manifold	
38	601752	2	Coupling	BSP 1/4" - 11/16" ORFS
39	601200	4	Cu-washer	13x19x1,5
40	500087	3	Screw	M12x16 8.8 FZB
41	647085	1	Hose 7085	
42	647084	1	Hose 7084	
43	602051	1	Adaptor	3/8"
44	647081	1	Hose 7081	
45	647080	1	Hose 7080	
46	647082	1	Hose 7082	
47	647083	1	Hose 7083	
48	602055	1	Coupling	1/4"
49	503075	4	Washer	NL10
50	601741	2	T-adaptor	9/16" ORFS
51	500070	4	Screw	M10x35 8.8 FZB
52	601708	1	Banjo bolt	3/8"

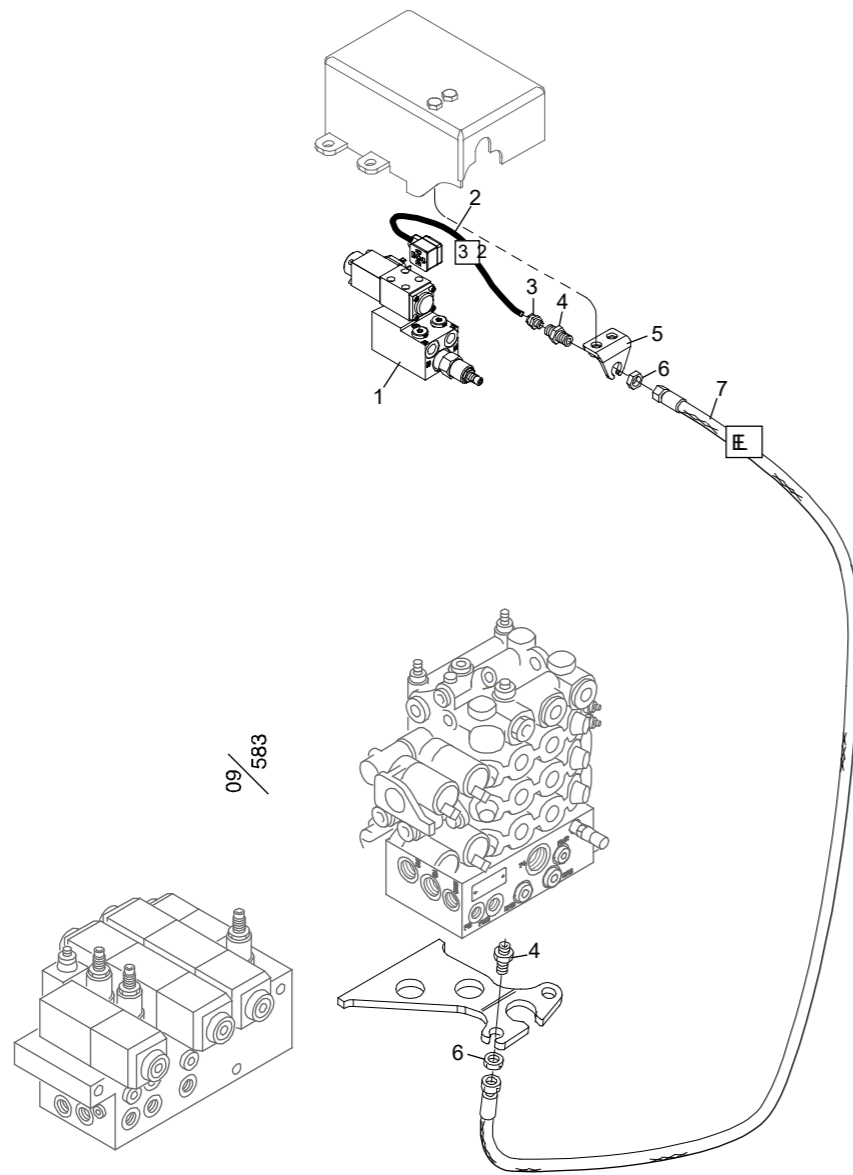


Hydraulic cylinder

Structure				
019000				
Pos.	Part no.	Quantity	Description	Specification
1	10000843	1	Rod kit	
2	510006	1	Spherical bushing	GE25-ES
3	517236	1	Circlip	SGH 42

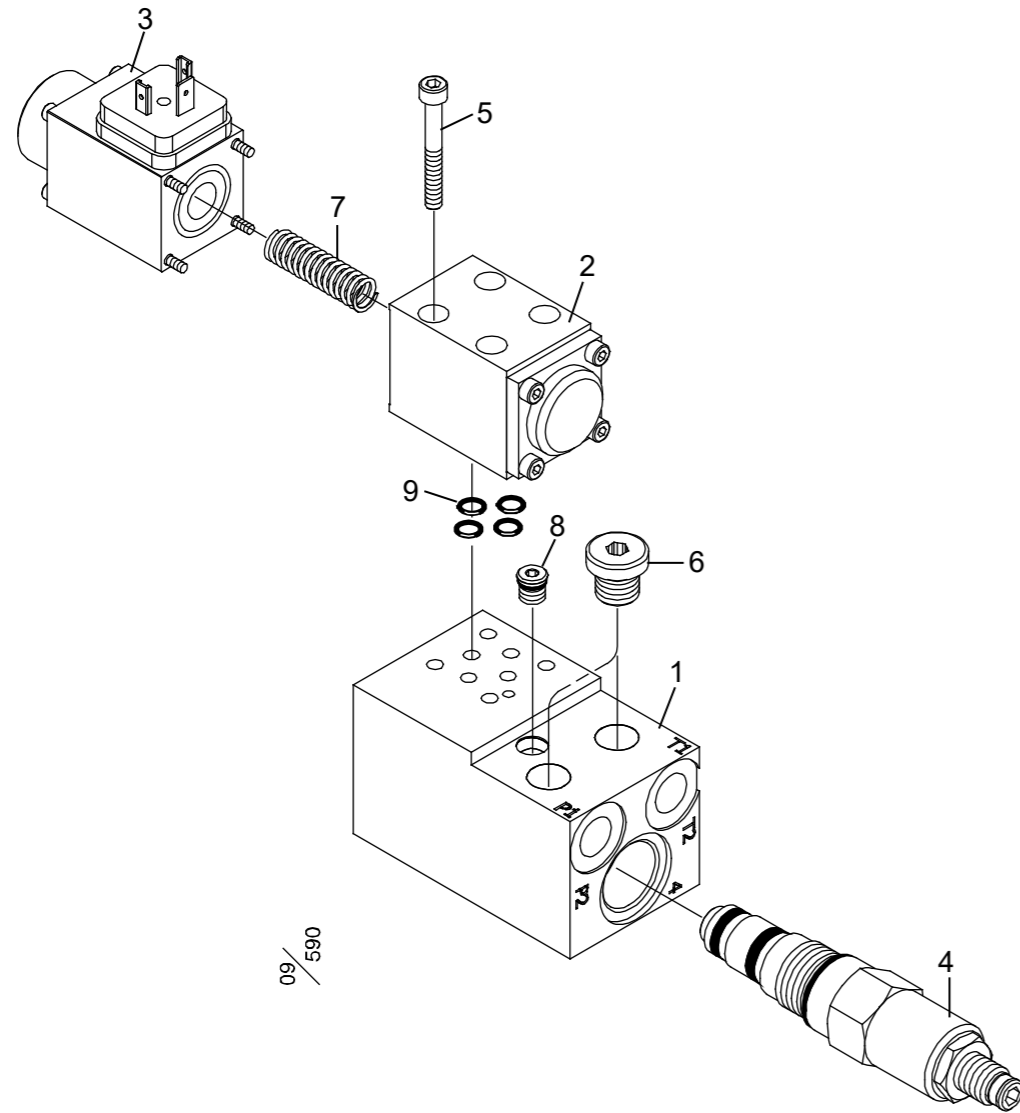
**Rod kit**

Structure 10000843				
Pos.	Part no.	Quantity	Description	Specification
1	510006	1	Spherical bushing	GE25-ES
2	517236	1	Circlip	SGH 42
3	10000842	1	Seal kit	



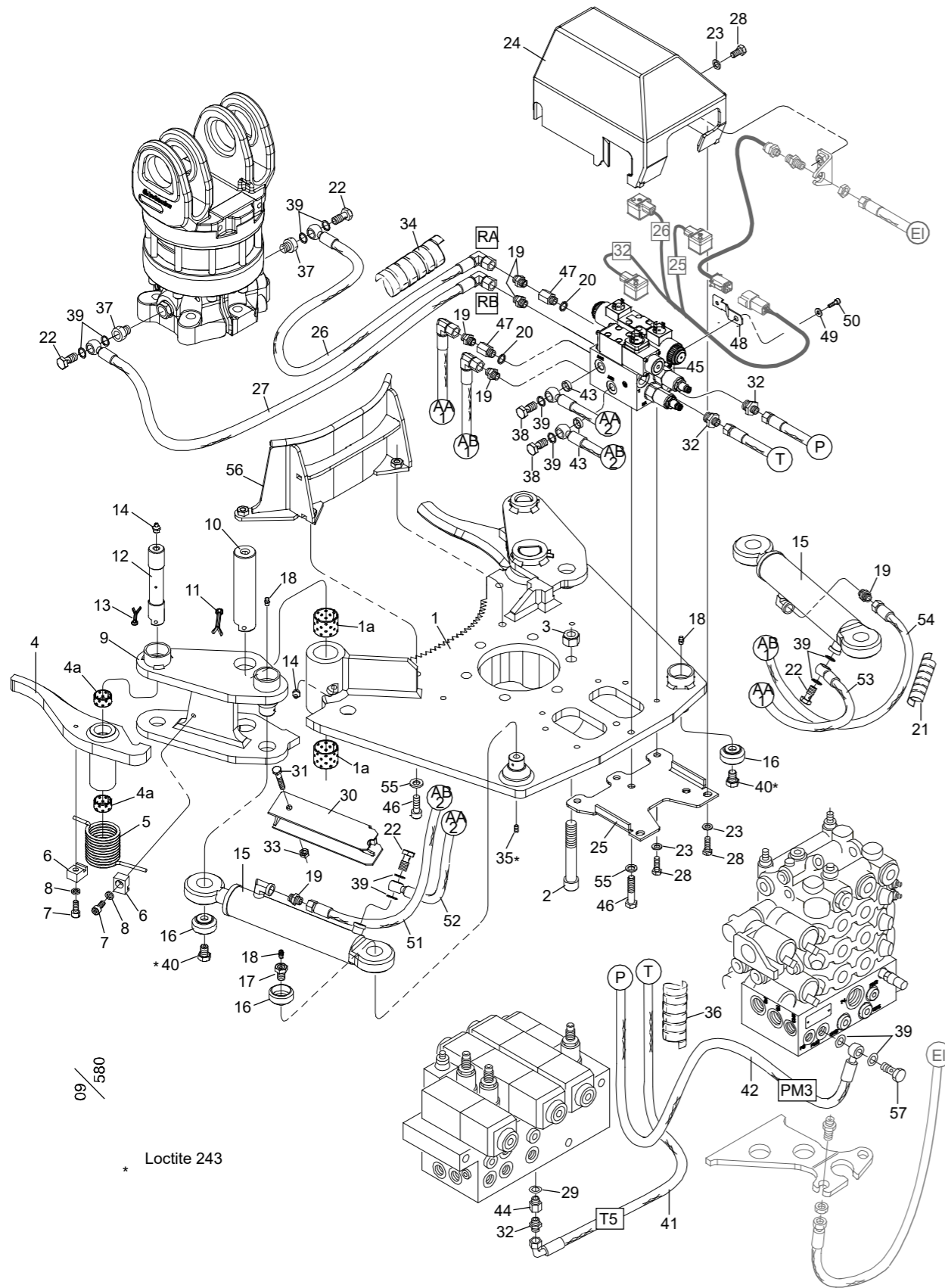
Electrical system

Structure				
034640				
Pos.	Part no.	Quantity	Description	Specification
1	013862	1	Manifold	
2	671169	1	Cable	"32" Log Mate 500 Dasa Fore. VU
	671168	1	Cable	"32" Dasa4/Cabswin
3	401770	1	Cable sleeve	PG9
4	017288	2	Bulk head	PG9
5	016666	1	Cable bracket	
6	601745	2	Nut	11/16" ORFS
7	647086	1	Hose 7086	



Manifold

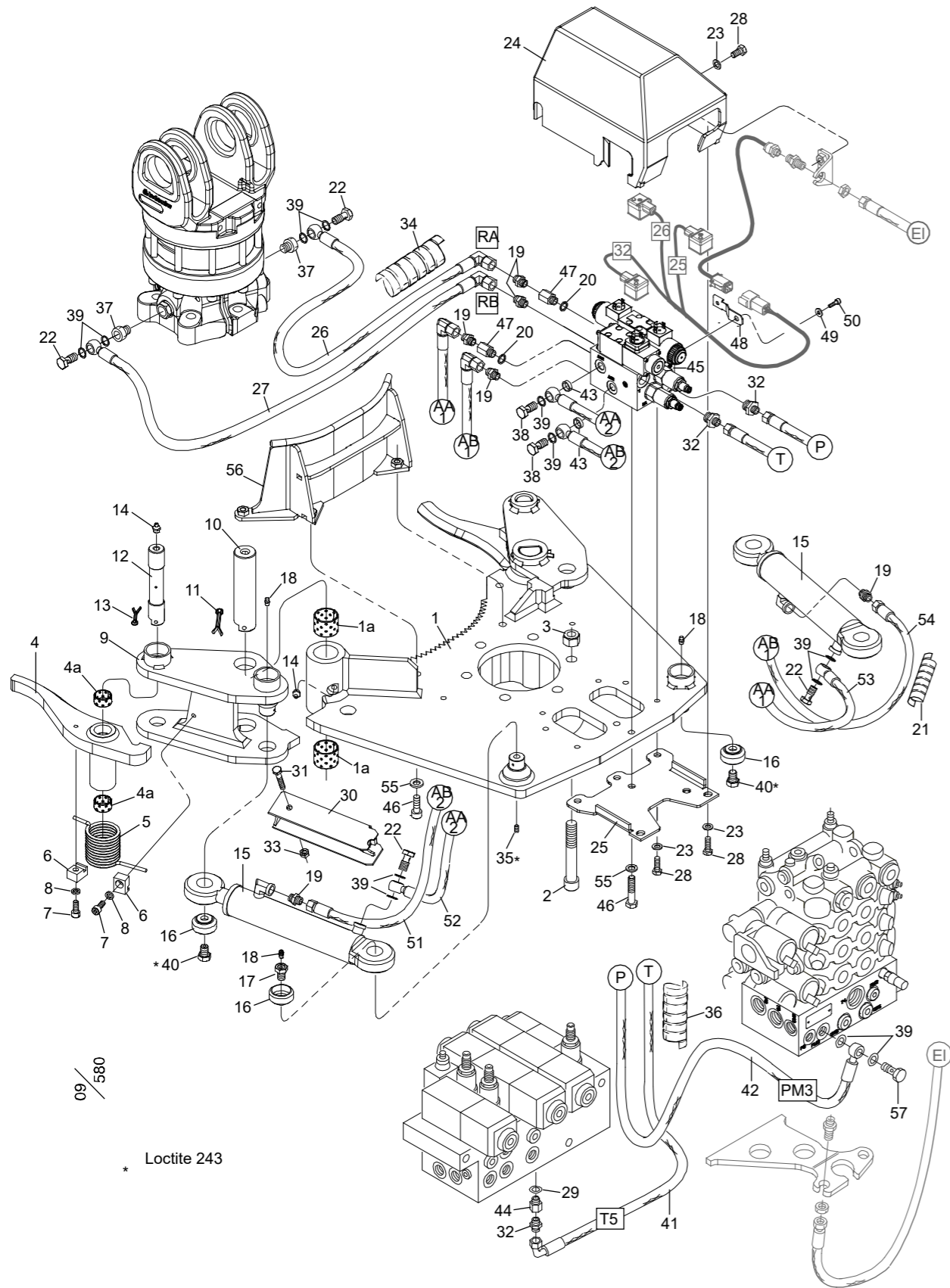
Structure 013862				
Pos.	Part no.	Quantity	Description	Specification
1	612044	1	Manifold	
2	10001139	1	Valve	24 V
3	613081	1	Solenoid	24V NG4
4	619016	1	Pressure reducer	
5	501033	4	Screw	MC6S M5x40 12.9
6	601001	2	Hex plug	1/4" R
7	613082	1	Spring	
8	601020	1	Plug	
9	540036	4	O-ring	7.66x1.78



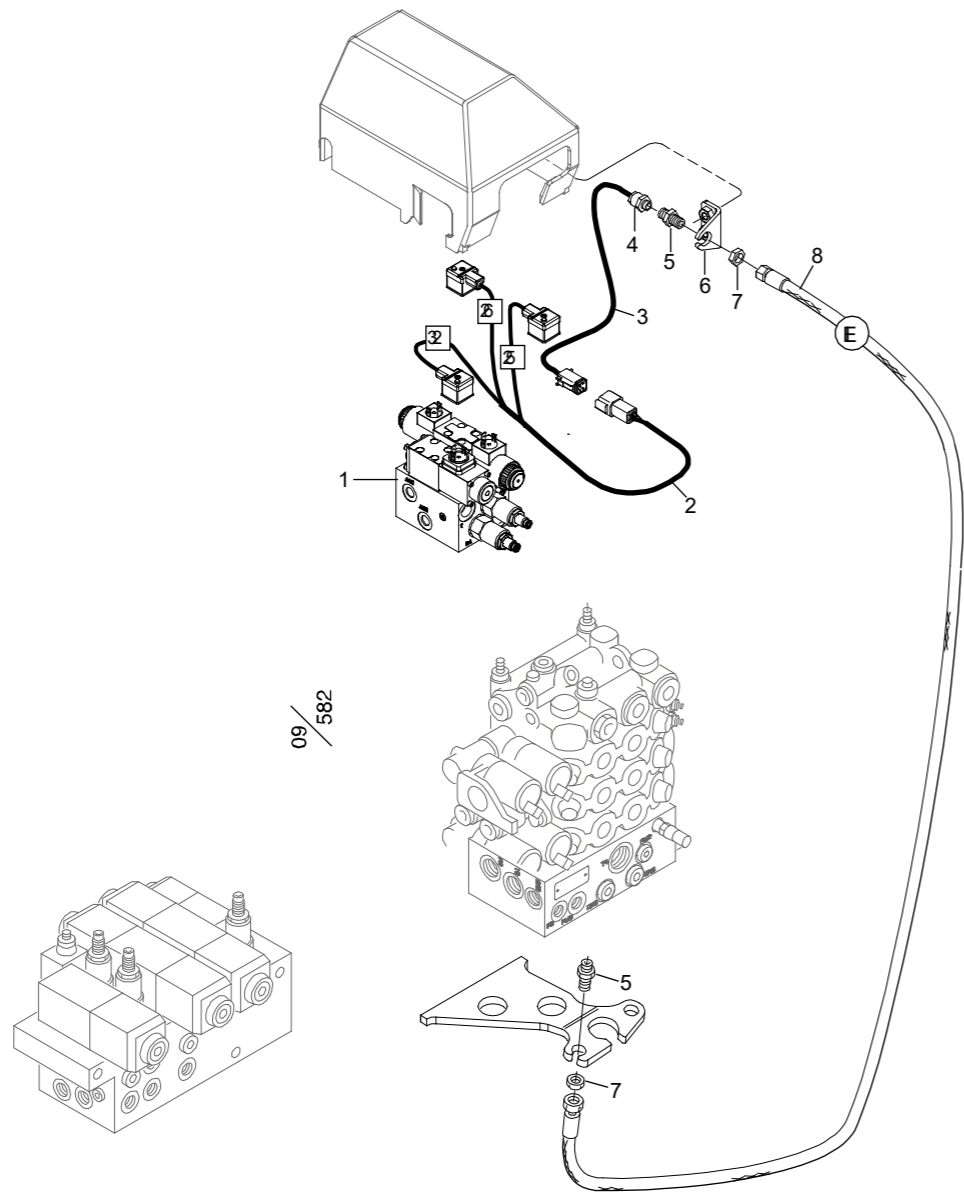
Log Max 4000T- Ackarmar med rotatorstyrning

Accumulation kit with rotator control

Structure 034641				
Pos.	Part no.	Quantity	Description	Specification
1	015567	1	Bracket	
1a	512012	4	Bushing	35x30
2	501149	6	Screw	M16x240 12.9
3	502705	6	Nut	M16
4	015565	2	Arm	
4a	512004	4	Bushing	25/28x15
5	015081	2	Torsion spring	
6	015079	4	Clamp	
7	501068	4	Screw	M8x20 12.9
8	503055	4	Washer	NL8
9	015075	2	Arm	
10	010178-1	2	Pin	Ø35
11	516002	2	Cotter pin	6,3x50
12	011087	2	Pin	Ø25
13	516001	2	Cotter pin	5x32 FZB
14	625000	4	Grease nipple	1/8"
15	019000	2	Cylinder	
16	012447	4	Sleeve	
17	012650	2	Screw	
18	625004	4	Grease nipple	M6
19	601750	6	Coupling	BSP 1/4" - 9/16" ORFS
20	601101	2	Seal ring	1/4"
21	615049	2	Hose cover	3/4"
22	601704	4	Banjo bolt	1/4"
23	503075	8	Washer	NL10
24	017470	1	Cover	
25	017582	1	Support plate	
26	647175	1	Hose 7175	
27	647174	1	Hose 7174	
28	500066	8	Screw	M6S M10x20 8.8 FZB
29	601102	3	Seal ring	3/8"
30	014511	2	Cylinder cover	
31	500077	2	Screw	M6S M10x70 8.8 FZB

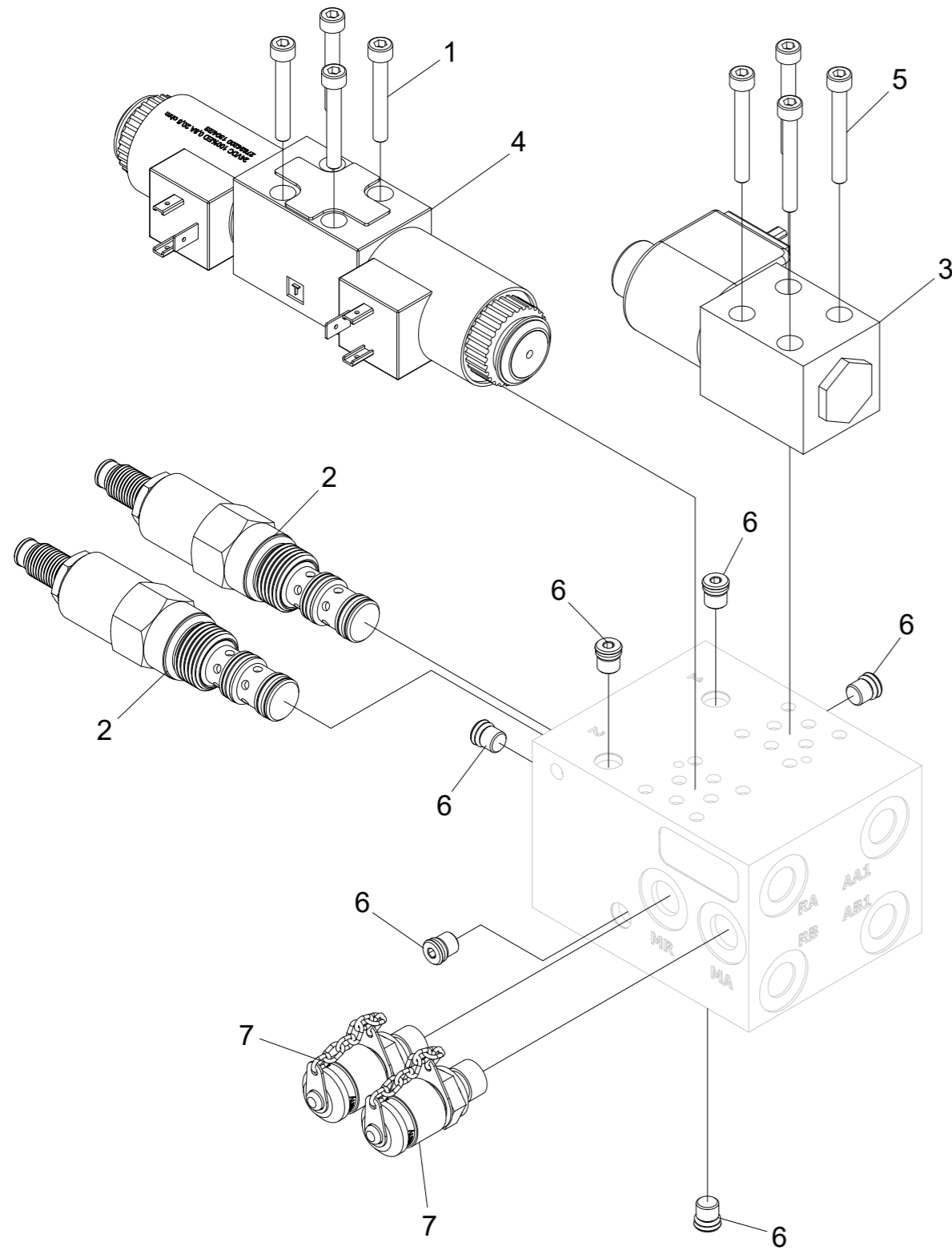


Structure				
Pos.	Part no.	Quantity	Description	Specification
32	601754	3	Coupling	BSP 3/8" - 11/16" ORFS
33	502055	2	Nut	M10
34	615055	1	Hose cover	
35	513040	1	Screw	M6x6
36	615050	1	Hose cover	1"
37	602059	2	Coupling	1/2" - 1/4"
38	601705	2	Banjo bolt	1/4"
39	601200	10	Cu-washer	13x19x1,5
40	500087	3	Screw	M12x16
41	647176	1	Hose 7176	
42	647177	1	Hose 7177	
43	602114	2	Seal ring	1/4"
44	602051	1	Coupling	3/8"
45	017464	1	Manifold cml.	
46	500070	6	Screw	M10x35 8.8 FZB
47	602055	2	Coupling	1/4"
48	402098	1	Clamp	
49	503007	1	Washer	FZB 10x18x2,0



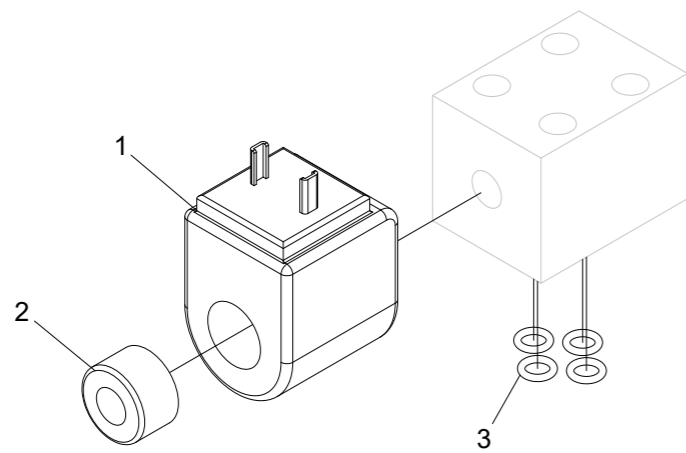
Electric system

Structure 034641				
Pos.	Part no.	Quantity	Description	Specification
1	017464	1	Manifold	
2	670017	1	Cable	"25", "26", "32" Log Mate 500 Dasa Forester Dasa4/Cabswin VU
3	670016	1	Cable	"25", "26", "32" Log Mate 500 Dasa Forester Dasa4/Cabswin VU
4	401770	1	Cable sleeve	PG 9
5	017288	2	Bulk head	PG 9
6	016666	1	Cable bracket	
7	601745	2	Nut	11/16" ORFS
8	647178	1	Hose 7178	



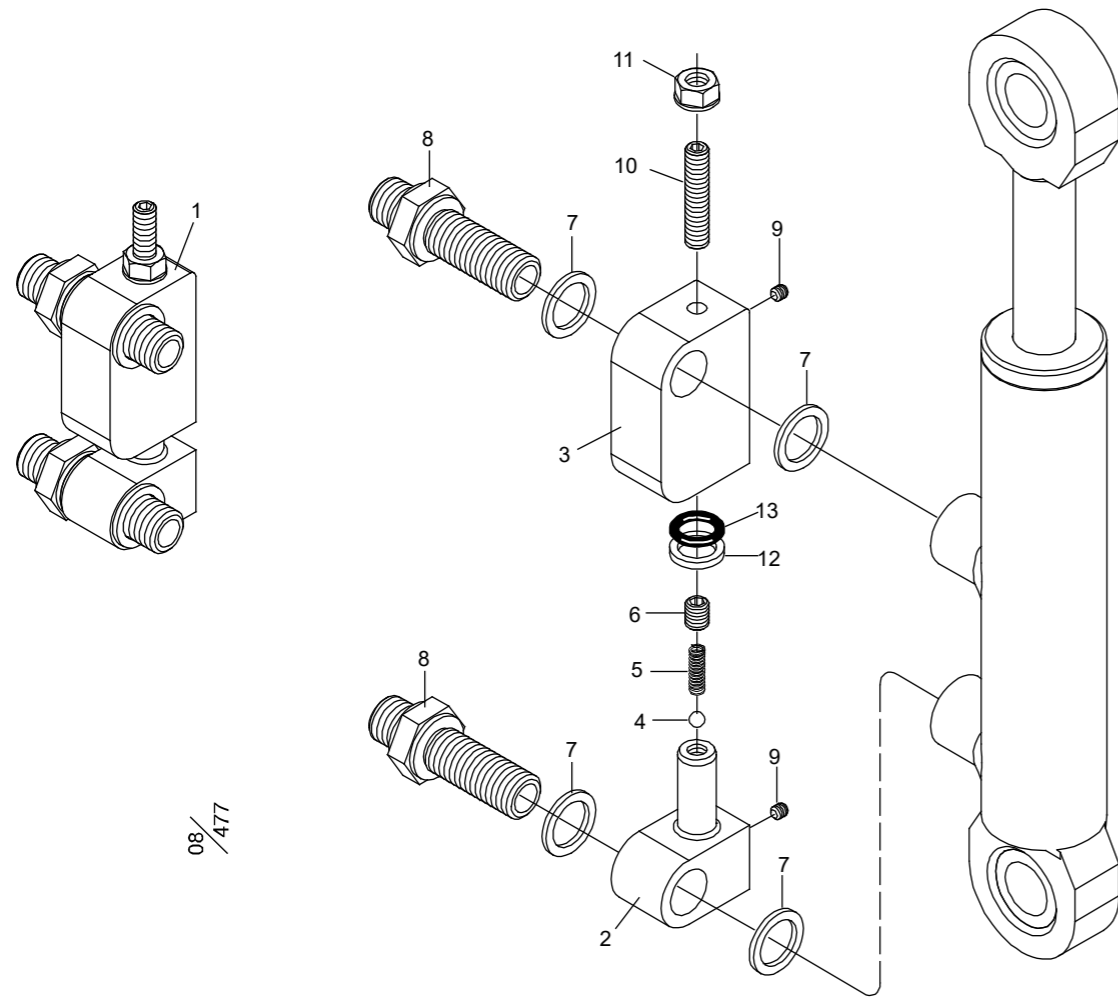
Manifold

Structure 017464				
Pos.	Part no.	Quantity	Description	Specification
1	501032	4	Screw	M5x35 12.9
2	619016	2	Pressure reducer valve	
3	10001139	1	Directional valve	24V NG4
4	612031	1	Directional valve	24V NG4
5	501033	4	Screw	M5x40 12.9
6	601020	6	Plug	UN15
7	601261	2	Test point	1/4"

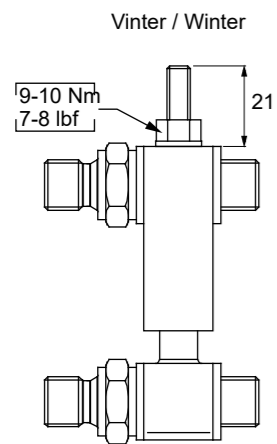


Directional valve

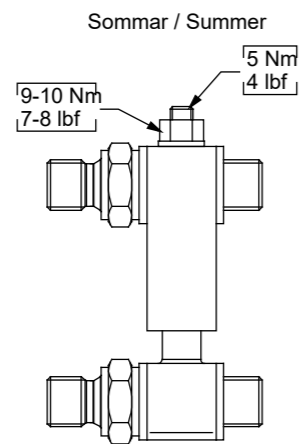
Structure 10001139				
Pos.	Part no.	Quantity	Description	Specification
1	10001310	1	Solenoid	
2	10001311	1	Nut	
3	543010	4	O-ring	6,07x1,78 NBR 90



08/477



Vinter / Winter

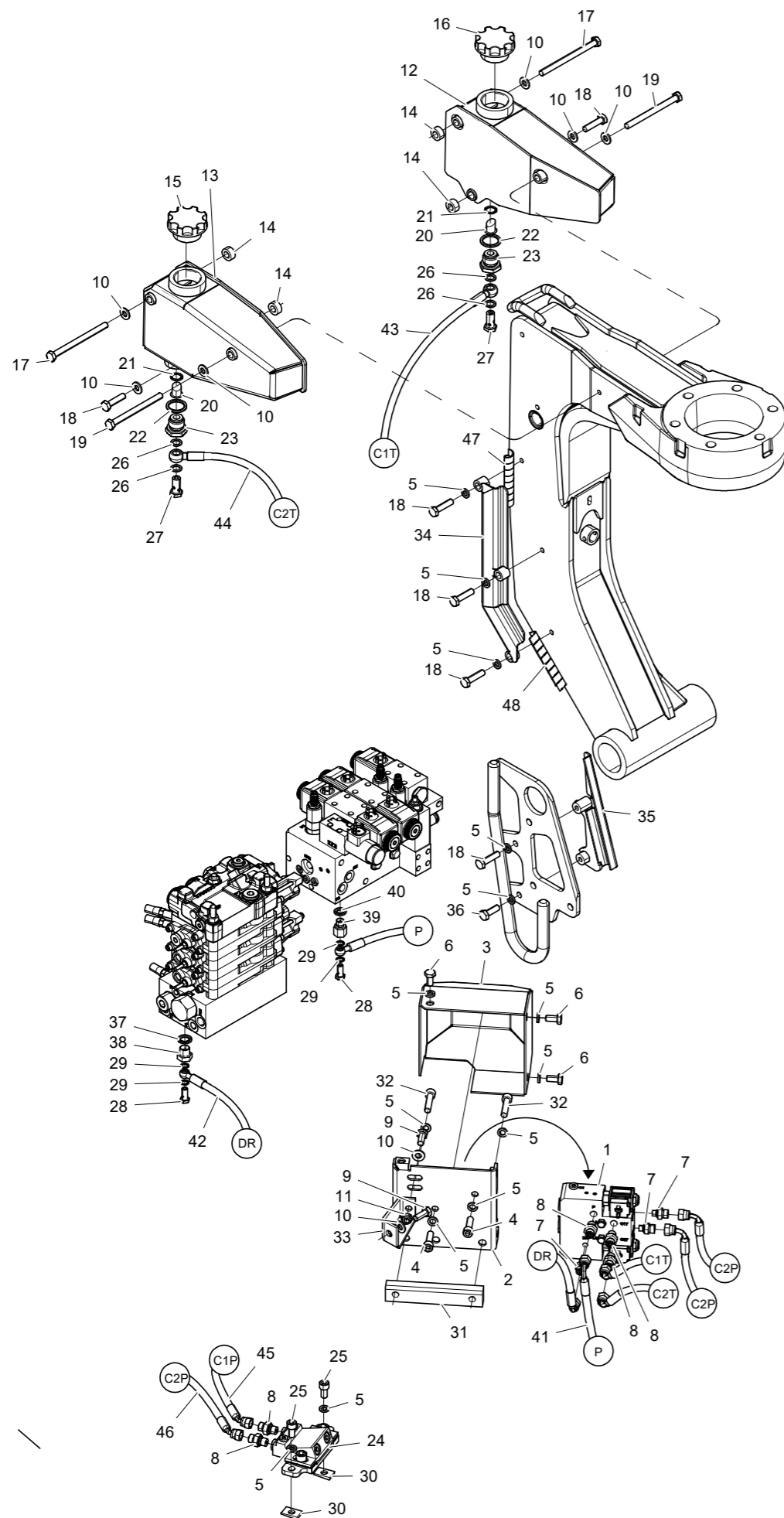


Sommar / Summer

Log Max 4000B, 4000T, 5000D, 6000B, 6000Twin, 7000C, 7000Twin, 7000XT, E6

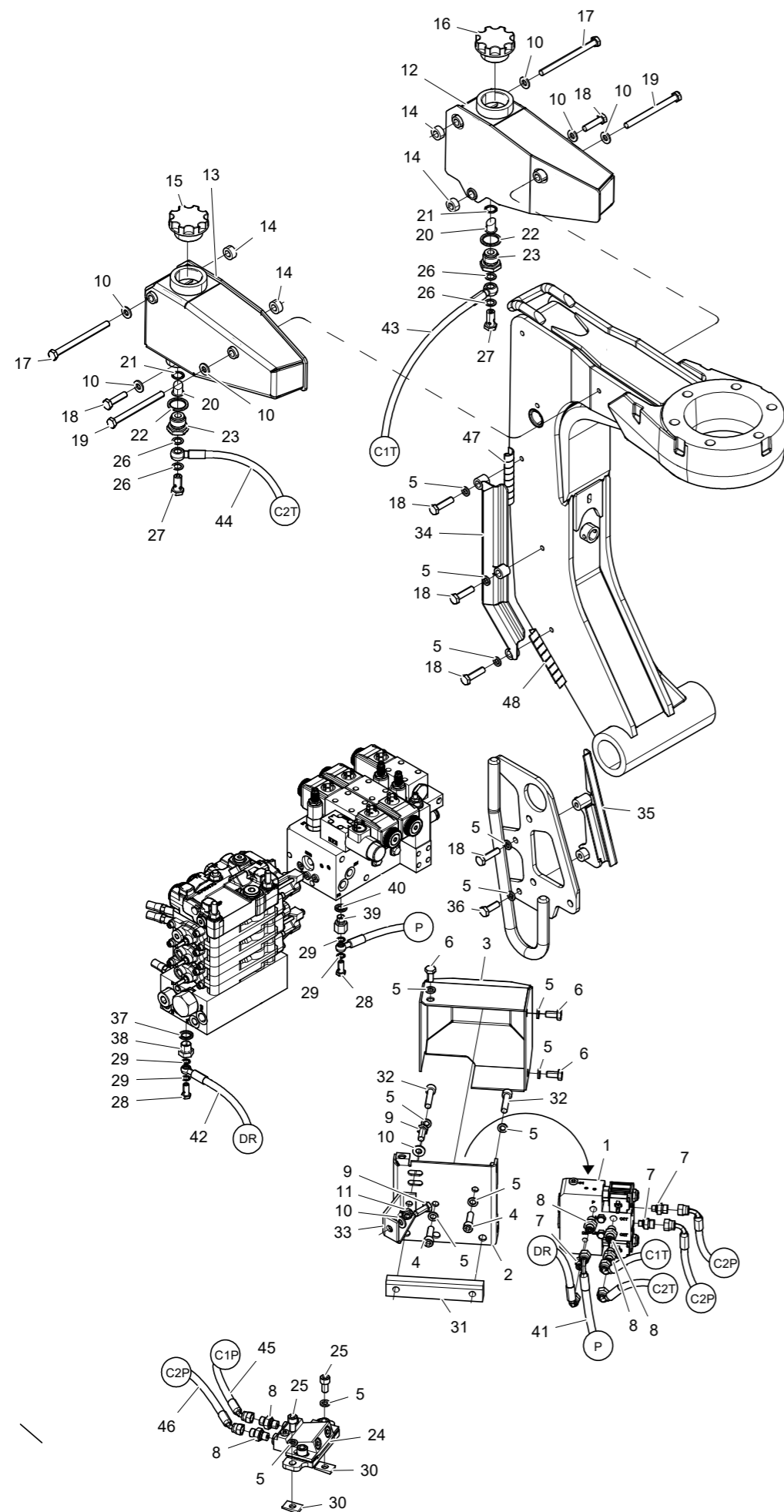
Bypass valve

Structure 034649				
Pos.	Part no.	Quantity	Description	Specification
1	031071	1	Bypass valve compl.	
2	017342	1	Nipple	
3	017343	1	Seal retainer	
4	511003	1	Steel ball	RB-4
5	526014	1	Spring	
6	013734	1	Restrictor	Ø 0.7 mm
7	601101	4	Seal ring	1/4"
8	017605	2	Bulkhead	ORFS G 1/4"
9	519059	2	Expander	Ø 0.3 mm
10	513046	1	Screw	P6SS M6x30
11	519062	1	Nut	M6
12	546005	1	Support ring	10-14
13	540066	1	O-ring	9.3x2.4

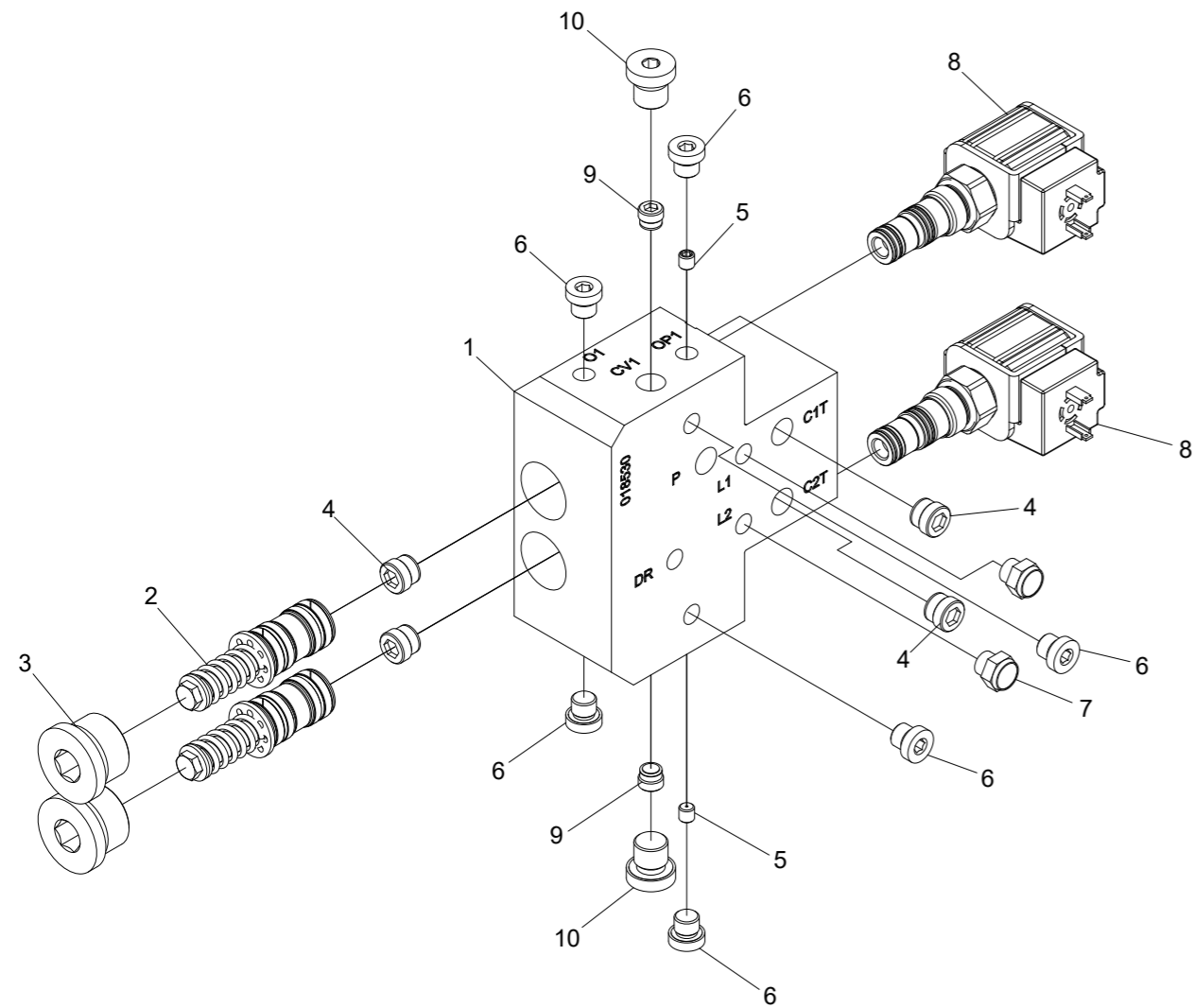


Color marking equipment

Structure 034638				
Pos.	Part no.	Quantity	Description	Specification
1	018531	1	Color pump	
2	018335	1	Chassi	
3	017734	1	Cover	
4	501091	2	Screw	M10x35 12.9
5	503057	14	Washer	NL10
6	500066	3	Screw	M10x20 8.8 FZB
7	601749	3	Adaptor	BSP -02 / ORFS -04
8	601750	5	Adaptor	BSP -04 / ORFS -04
9	500068	2	Screw	M10x25 8.8 FZB
10	503075	8	Washer	NL10
11	502055	1	Nut	M10
12	015748	1	Color tank	
13	015749	1	Color tank	
14	014117-10	4	Spacer	10 mm
15	017327	1	Filling cap	
16	017326	1	Filling cap	
17	500084	2	Screw	M10x130 8.8 FZB
18	500071	6	Screw	M10x40 8.8 FZB
19	500083	2	Screw	M10x120 8.8 FZB
20	620302	2	Filter	
21	543048	2	O-ring	16,3x2,4
22	601104	2	Seal ring	3/4"
23	015941	2	Adaptor	3/4" - 1/4"
24	609074	1	Color marking manifold	
25	501087	2	Screw	M10x20 12.9
26	601200	4	Seal ring	13x19x1,5
27	601704	2	Banjo bolt	1/4"
28	601701	2	Banjo bolt	1/8"
29	601203	4	Seal ring	10x14x1,0
30	016295	2	Wedge	
31	016251	1	Spacer	
32	501093	2	Screw	M10x45 12.9
33	017733	1	Bracket	

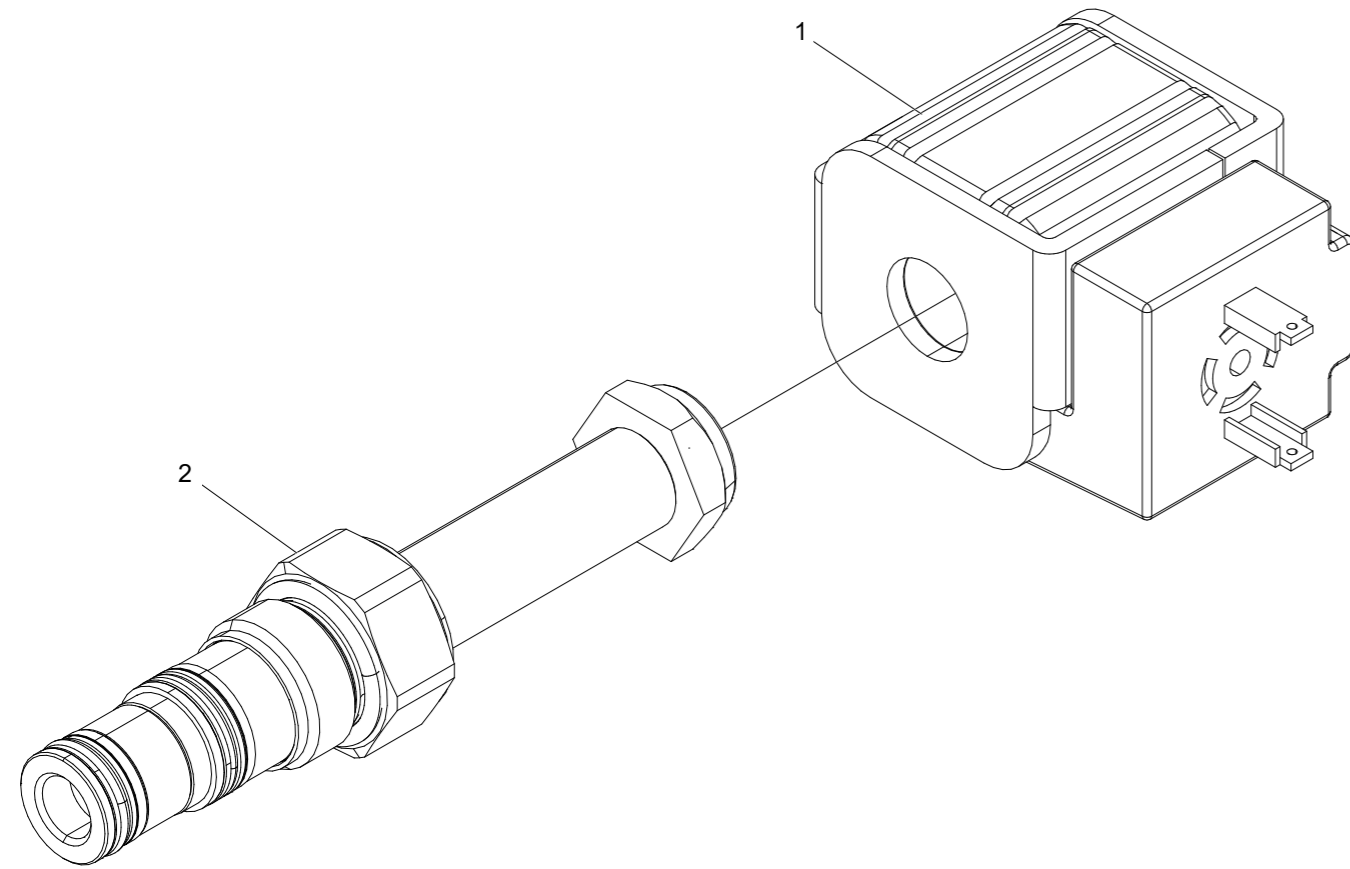


Structure				
Pos.	Part no.	Quantity	Description	Specification
34	014485	1	Cover	
35	017841	1	Hose cover	
36	500069	1	Screw	M10x30 8.8 FZB
37	601102	1	Seal ring	3/8"
38	602074	1	Adaptor	BSP -02 / BSP -06
39	602086	1	Adaptor	1/4" - 1/8"
40	601101	1	Seal ring	1/4"
41	647242	1	Hose 7242	
42	647243	1	Hose 7243	
43	647244	1	Hose 7244	
44	647245	1	Hose 7245	
45	647246	1	Hose 7246	
46	647247	1	Hose 7247	
47	615055	1	Hose cover	0,3 M
48	615055	1	Hose cover	1,2 M



Color marking pump

Structure 018531				
Pos.	Part no.	Quantity	Description	Specification
1	018530	1	Pump housing	
2	018331	2	Piston	
3	601004	2	Hex plug	3/4"
4	617024	4	Check valve	RB1
5	613014	2	Orifice	M6
6	601000	6	Hex plug	1/8"
7	602317	2	Filter plug	1/8"
8	612097	2	Directional valve	
9	617049	2	Check valve	RB0
10	601001	2	Hex plug	1/4"

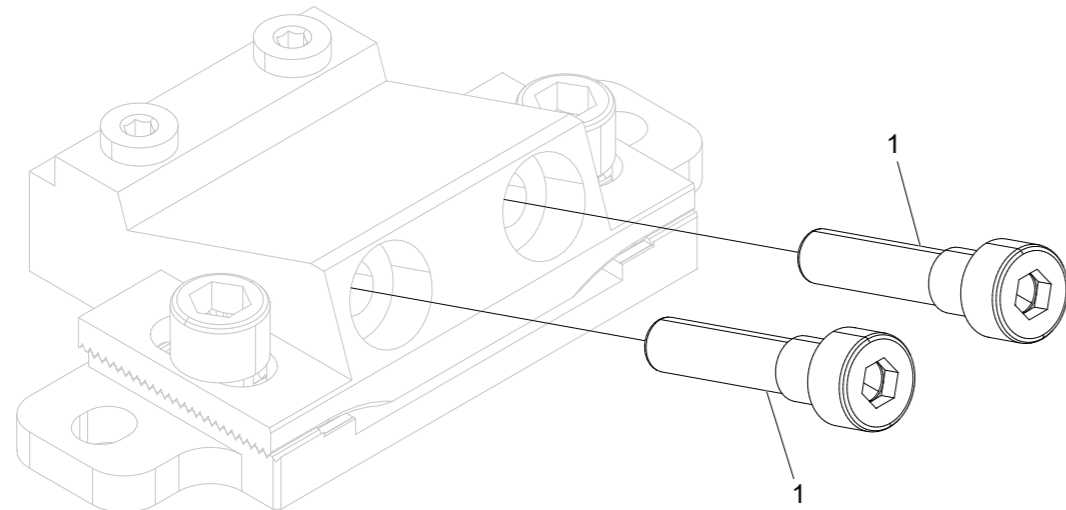


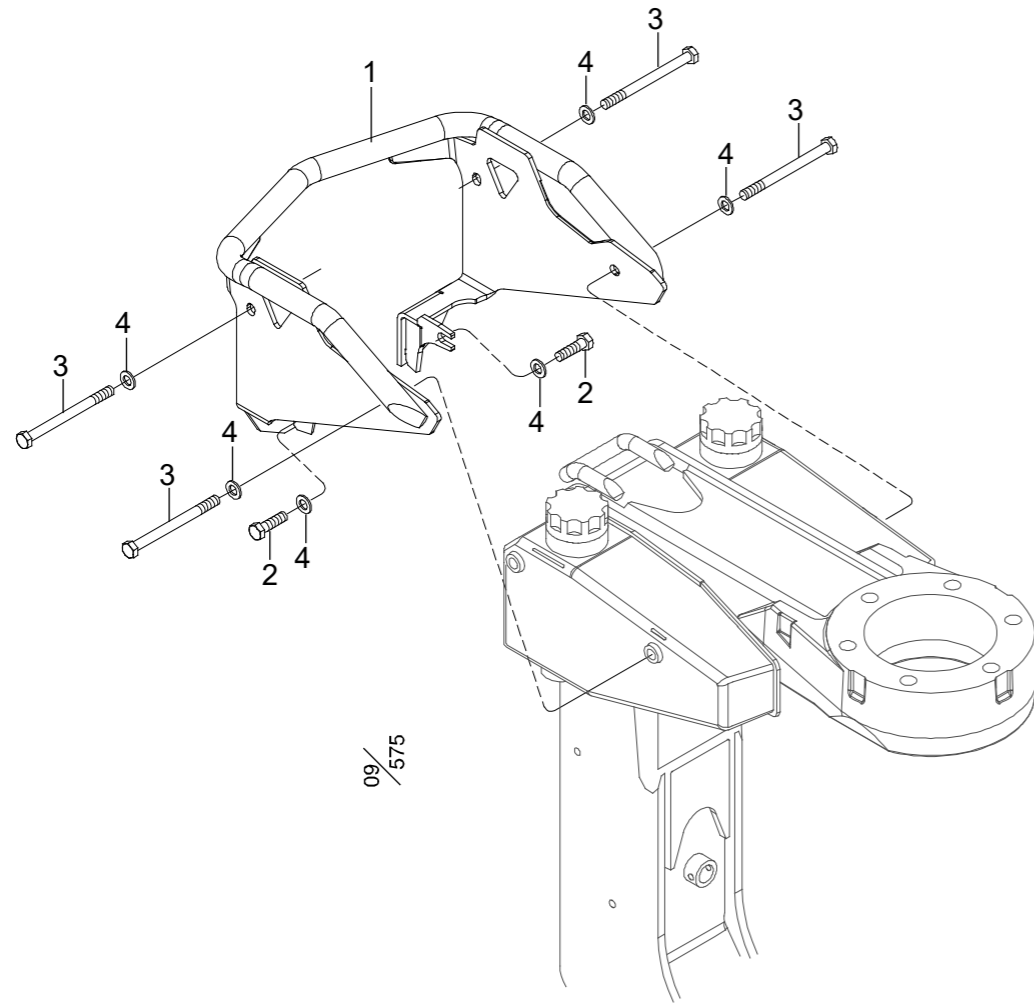
Valve

Structure 612097				
Pos.	Part no.	Quantity	Description	Specification
1	612094	1	Solenoid	
2	612106	1	Directional valve	

Color marking manifold

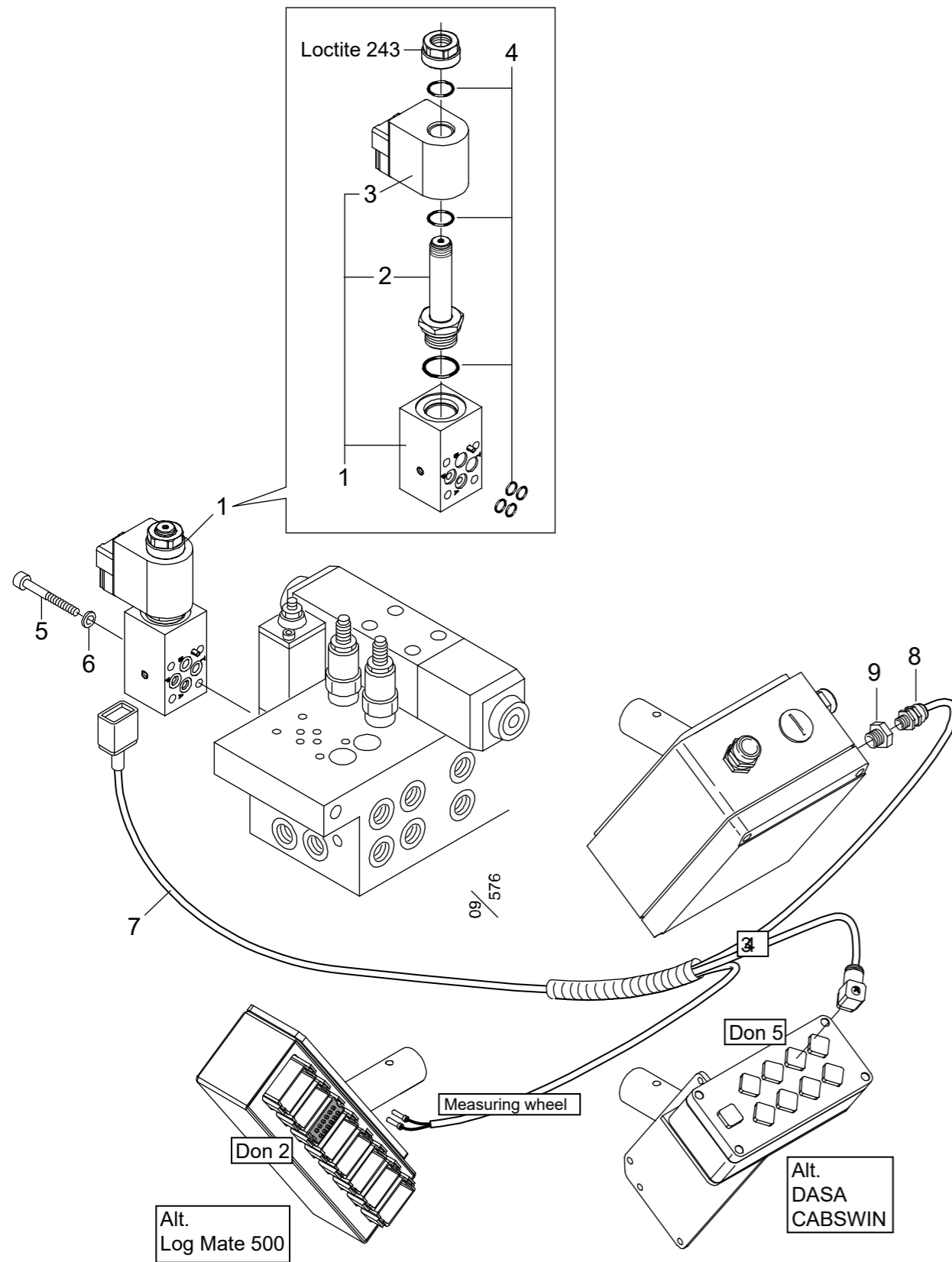
Structure 609074				
Pos.	Part no.	Quantity	Description	Specification
1	609076	2	Color marking nozzle	





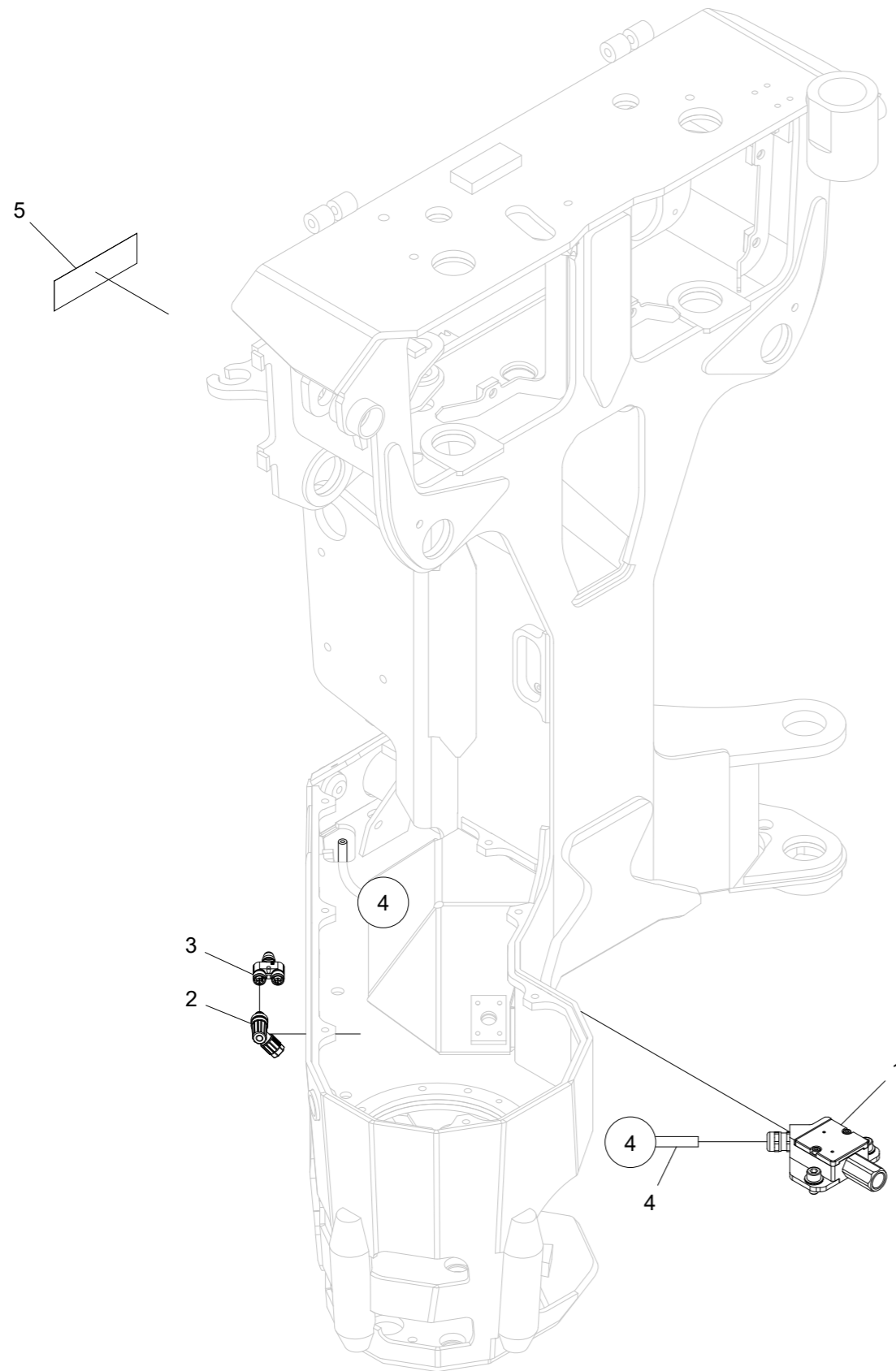
Protection bar colortanks

Structure 034628				
Pos.	Part no.	Quantity	Description	Specification
1	017740	1	Protection bar	
2	500072	2	Screw	M10x45 8.8 FZB
3	500084	4	Screw	M10x130 8.8 FZB
4	503075	6	Washer	NL10



Electrical controlled measuring wheel

Structure				
045052, 045053, 045054, 045059				
Pos.	Part no.	Quantity	Description	Specification
1	612090	1	Manifold compl.	
2	612091	1	Valve	
3	612092	1	Solenoid	24V
4	612095	1	Seal kit	
5	501038	4	Screw	M5x65 12.9
6	503066	4	Washer	NL5
7	671311	1	Cable	"34" Log Mate
	671309	1	Cable	"34" Dasa4/Cabswin
	671312	1	Cable	"34" Dasa forester
	671308	1	Cable	"34" VU
8	401770	1	Cable sleeve	PG 9
9	401769	1	Reductor	PG 16 - PG 9

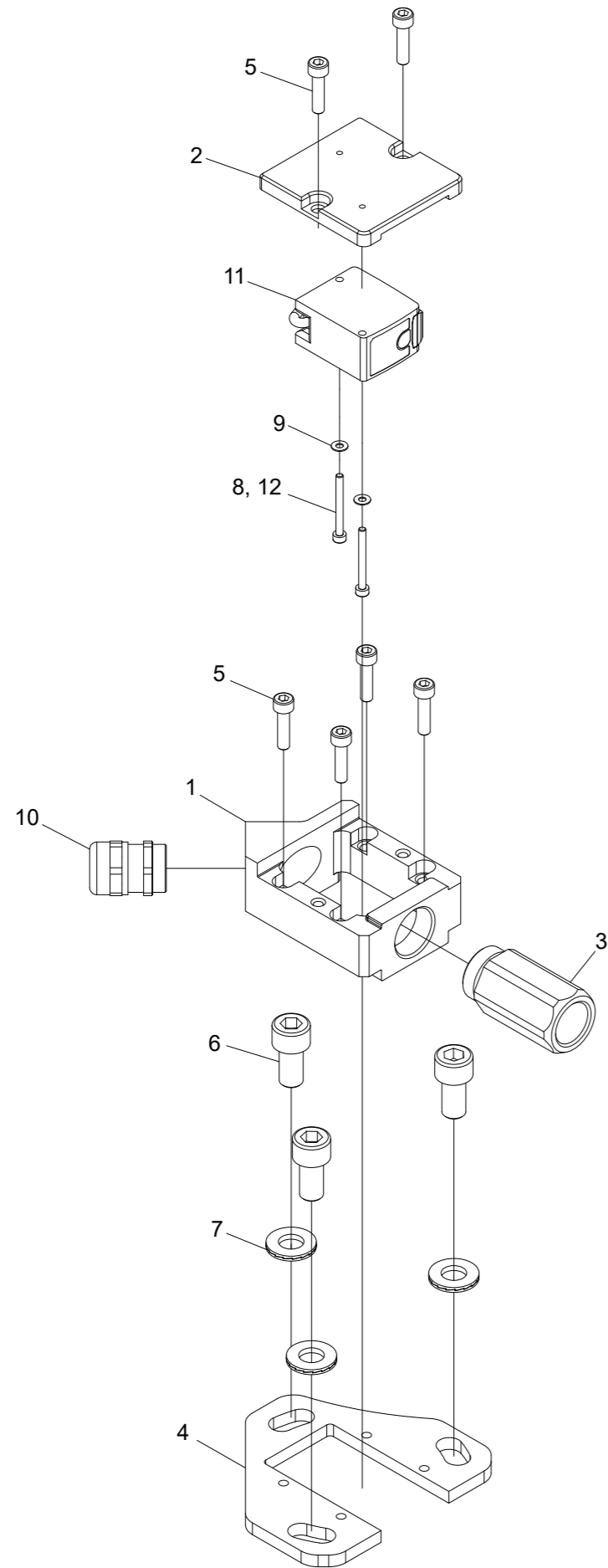


09/066

Log Max 4000T - Find End

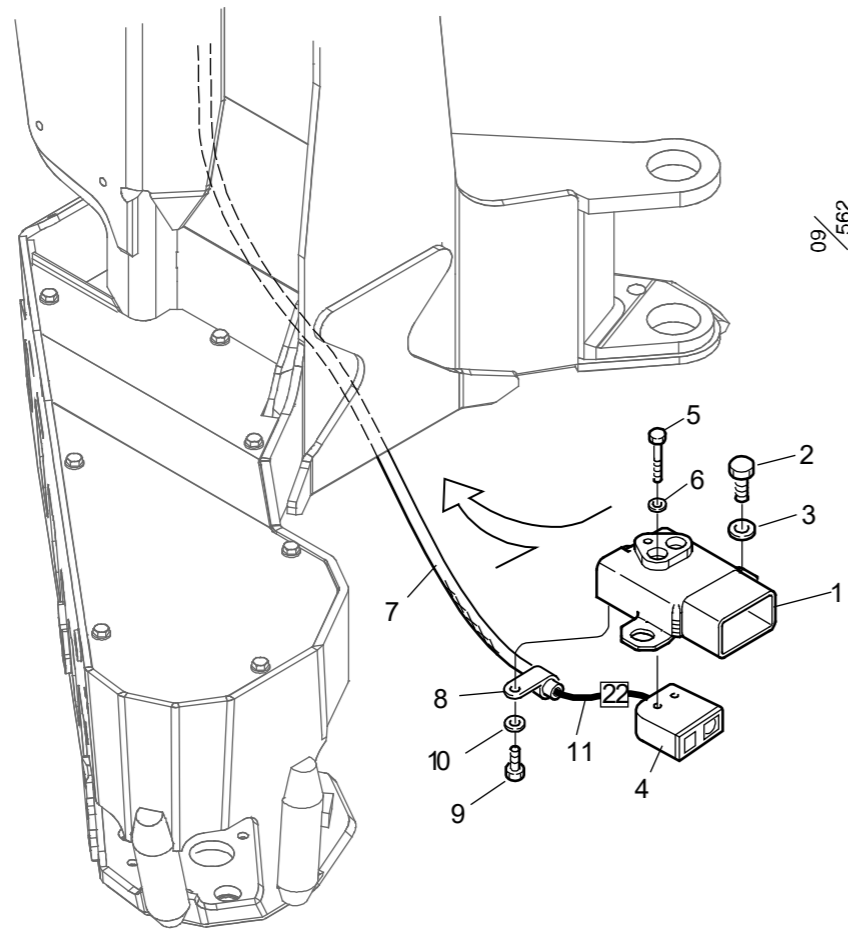
Find End laser

Structure 034686				
Pos.	Part no.	Quantity	Description	Specification
1	018676	1	Find End assembly	
2	402315	1	Cable housing	
3	402314	1	Connector	
4	647259	1	Hose	
5	519192	1	Decal	



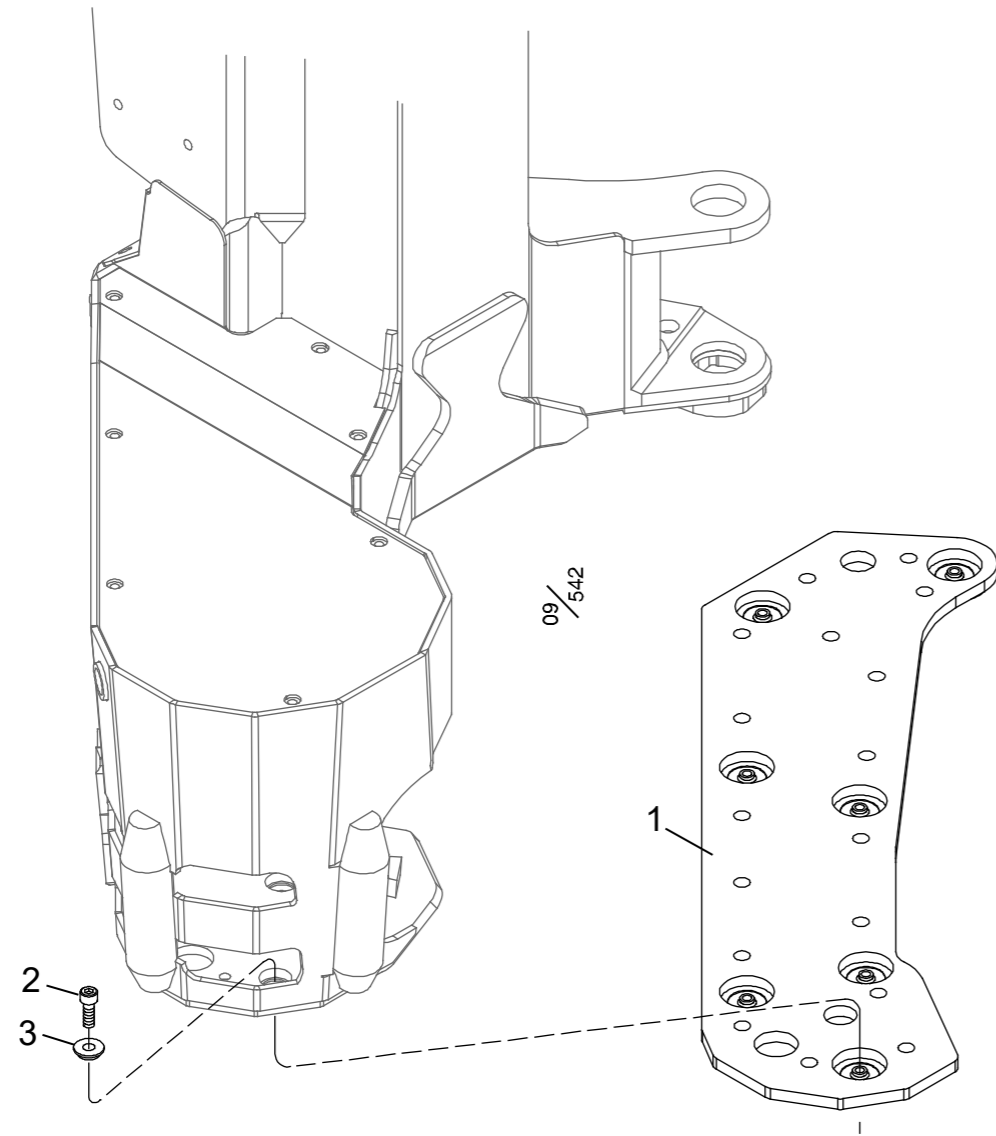
Find End assembly

Structure 018676				
Pos.	Part no.	Quantity	Description	Specification
1	018670	1	Cover	
2	018671	1	Cover	
3	018679	1	Cover	
4	018673	1	Bracket	
5	501029	6	Screw	M5x20 12.9
6	501087	3	Screw	M10x20 12.9
7	503075	3	Washer	M10 NL sp
8	501004	2	Screw	M3x30 12.9
9	503001	2	Washer	BRB FZB 3.2x6x0.5
10	401152	1	Cable sleeve	M20x1.5
11	401320	1	Laser sensor	
12		2	Loctite 243	



Find End photocell

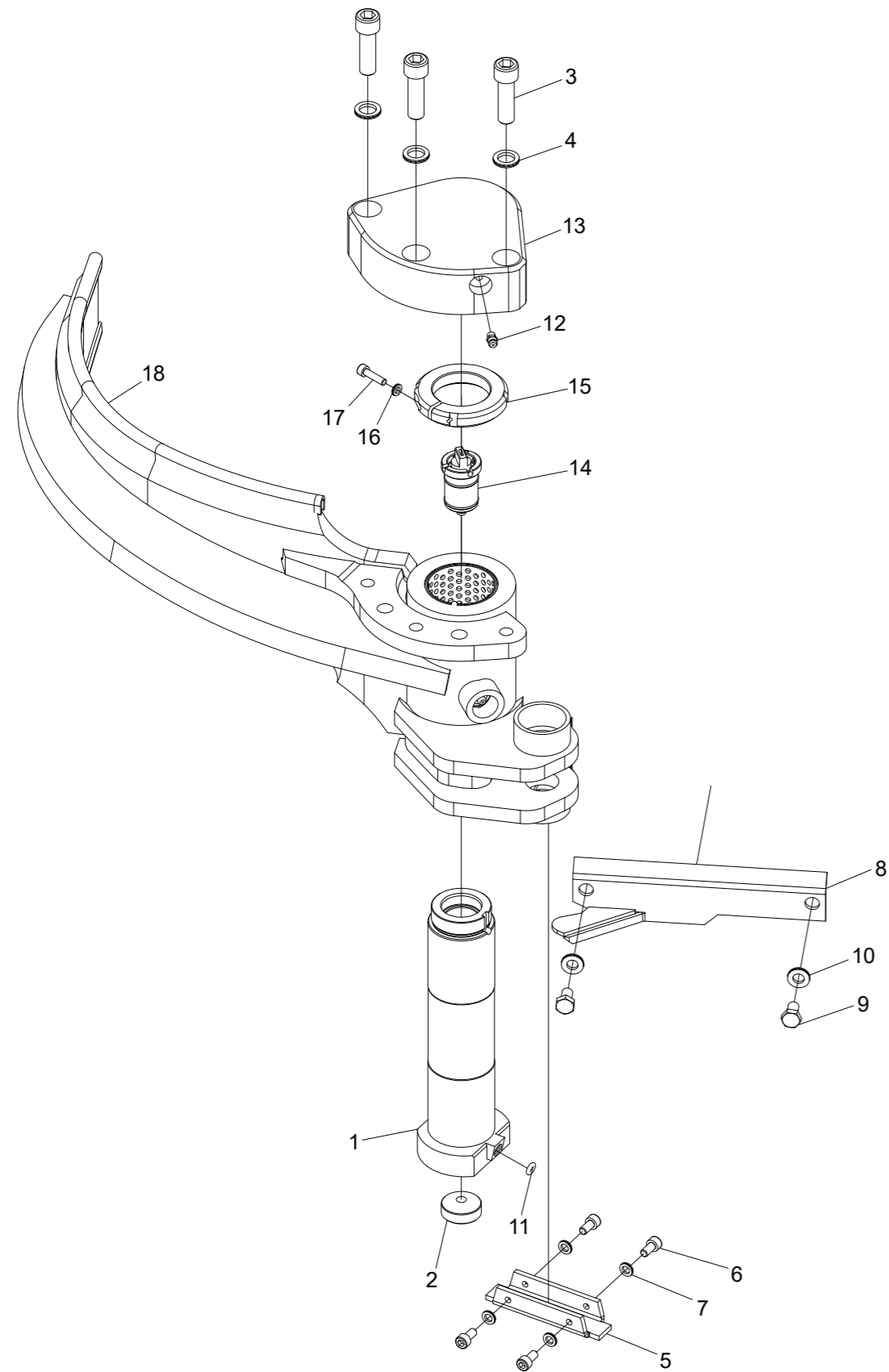
Structure				
033383-500, 033383				
Pos.	Part no.	Quantity	Description	Specification
1	013927	1	Bracket	
2	500066	3	Screw	M6S M10x20 8.8 FZB
3	503075	3	Washer	M10 Nordlock Wide / Stor
4	401860	1	Photocell	
5	500005	2	Screw	M6S M4x20 8.8 FZB
6	503067	2	Washer	M4 Nordlock
7	615071	1	Hose	L=950 mm
8	622060	1	Clamp	Ø 13 mm
9	500022	1	Screw	M6S M6x14 8.8 FZB
10	503065	1	Washer	M6 Nordlock
11		1	Cable	"22"



S82/4000T

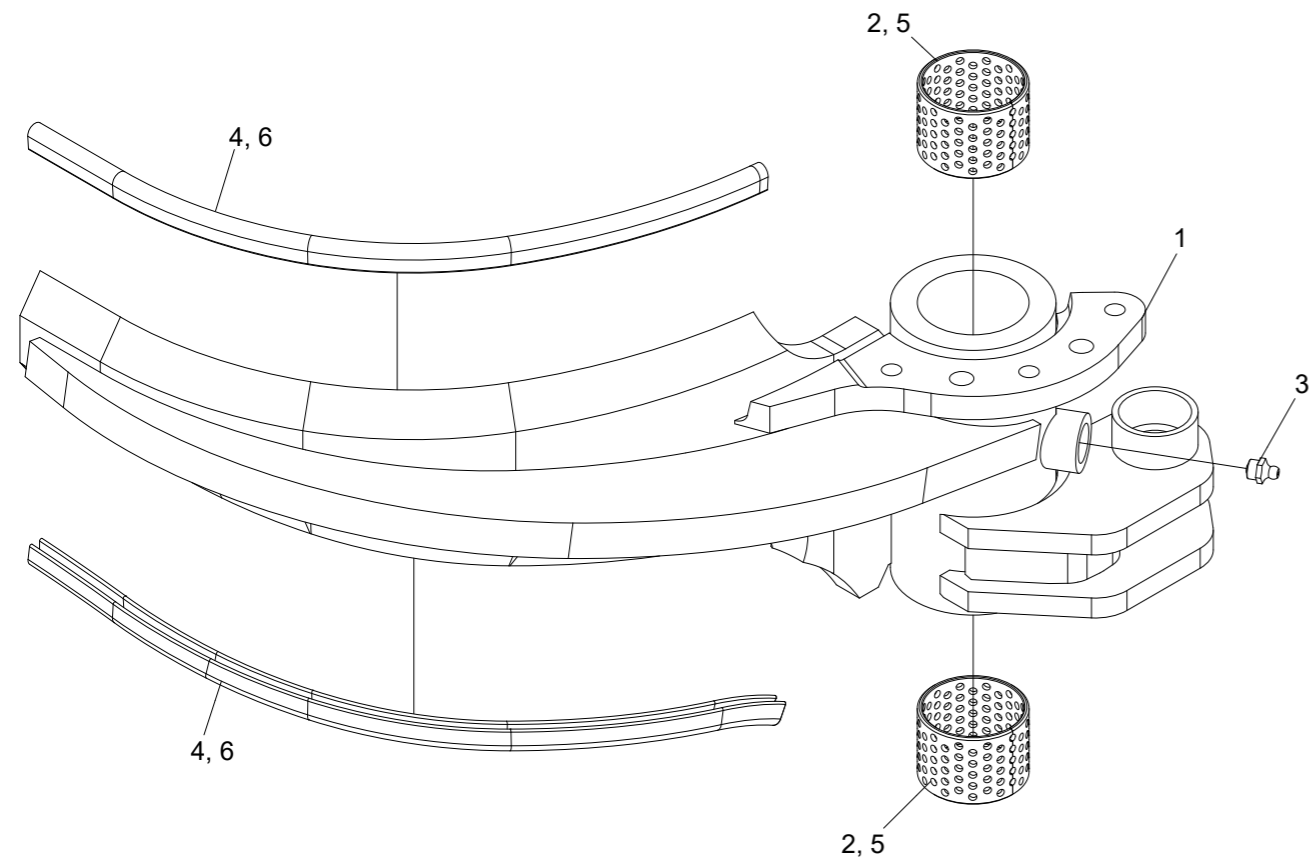
Fixed protective plate

Structure 034617				
Pos.	Part no.	Quantity	Description	Specification
1	017757	1	Protective plate	
2	501087	7	Screw	M10x20 12.9
3	018057	7	Washer	M10 Spherical



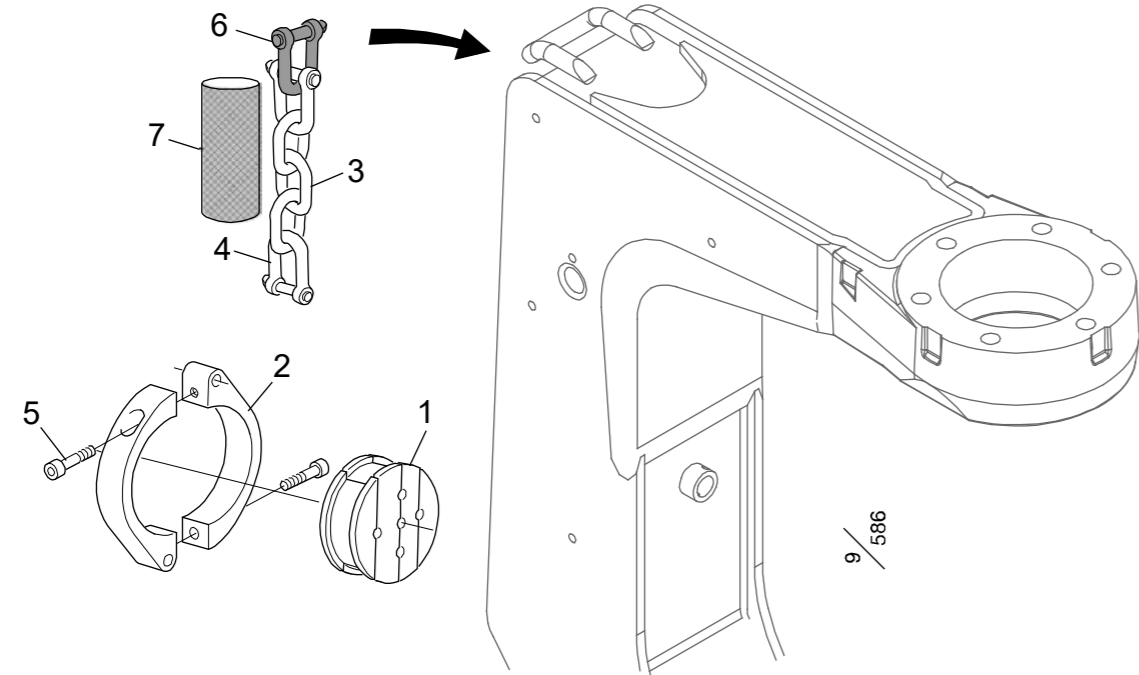
Four point measuring

Structure 034619				
Pos.	Part no.	Quantity	Description	Specification
1	017640	1	Shaft	
2	016913	1	Plug	
3	501111	3	Screw	M12x40 12.9
4	503060	3	Washer	NL12
5	016914	1	Protection	
6	501043	4	Screw	M6x12 12.9
7	503065	4	Washer	NL6
8	016916	1	Protection	
9	500041	2	Screw	M8x14 8.8 FZB
10	503074	2	Washer	NL8 sp
11	543020	1	Seal ring	
12	625004	1	Grease nipple	M6
13	10000238	1	Arm	
14	10000397	1	Encoder	
15	10000299	1	Threaded ring	
16	503066	1	Washer	NL5
17	501029	1	Screw	M5x20 12.9
18	10001509	1	Delimiting knife	



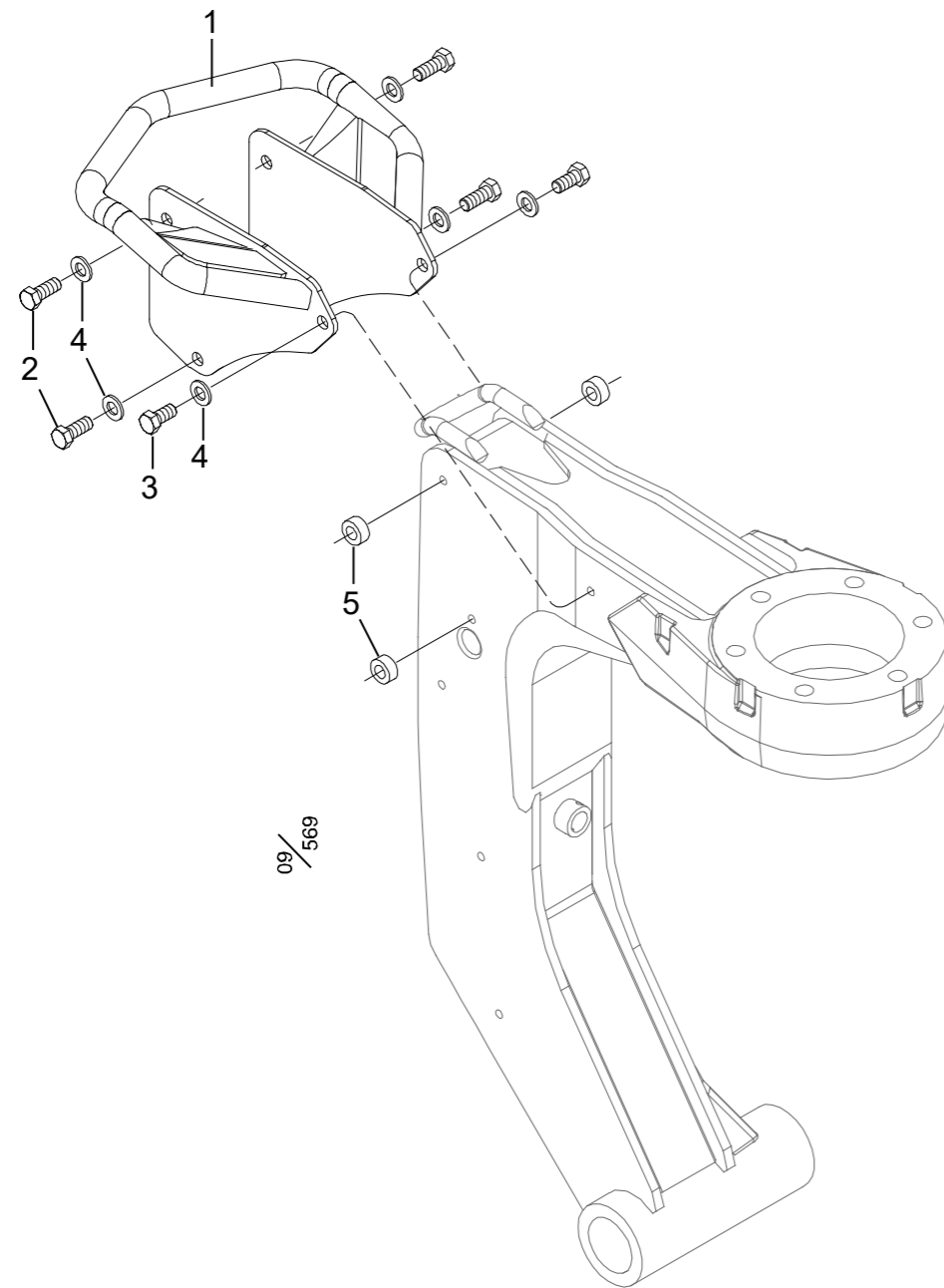
Delimiting knife

Structure 10001509				
Pos.	Part no.	Quantity	Description	Specification
1	10001508	1	Delimiting knife	
2	512024	2	Bushing	
3	625000	1	Grease nipple	1/8"
4	519010	2	Protection	L=420mm
5			Glue	603
6			Glue	406



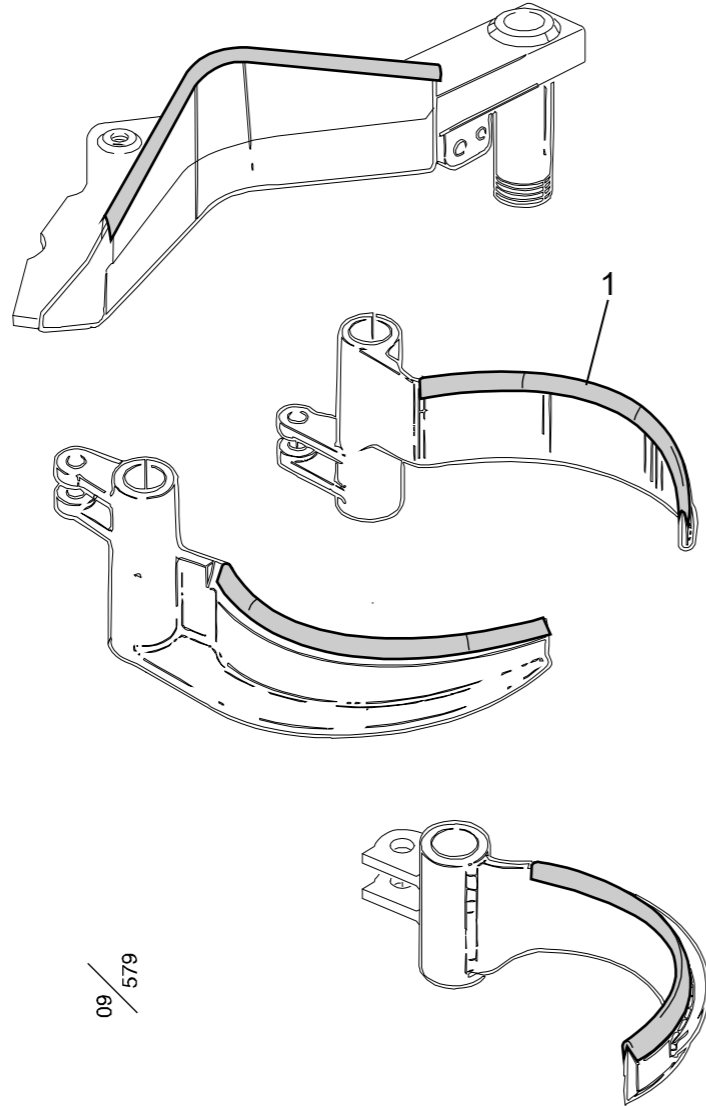
Hose holder

Structure				
Pos.	Part no.	Quantity	Description	Specification
1	012948	1	Segment	
	0139391	1	Segment	2x1", 2x3/4", 2x1/4", 1/2"
	0135222	1	Segment	3x1", 1/2", 1/4"
	0182743	1	Segment	2x1", 1x3/4", 2x3/4", 2x1/4"
2	012949	2	Clamp	
3	013771	1	Chain	KL 2, 5
4	523052	1	Link	3/8"
5	501073	2	Socket screw	M8x40 12.9
6	523052	1	Link	3/8"
7	615046	1	Hose cover	



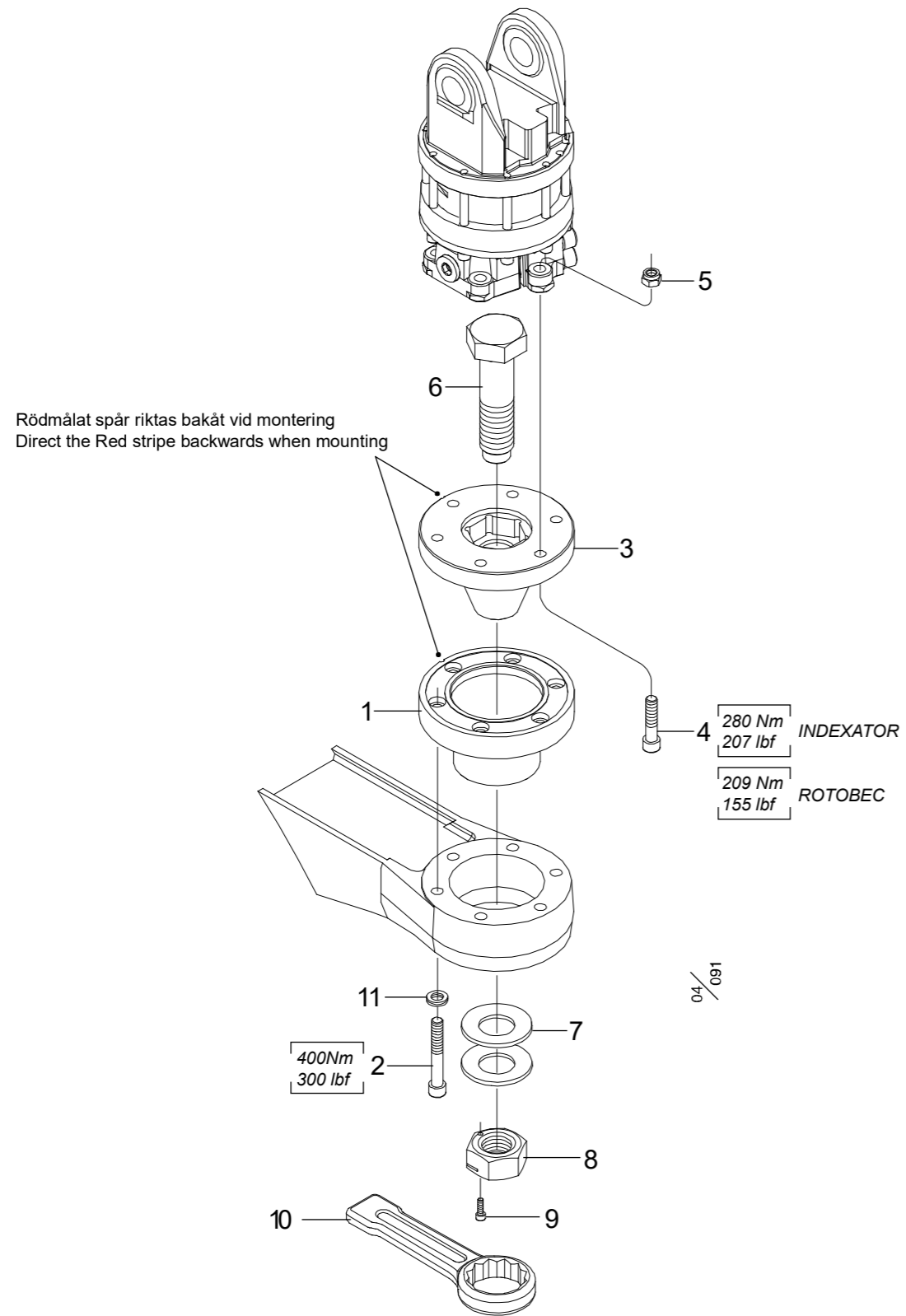
Hose protection

Structure 034626				
Pos.	Part no.	Quantity	Description	Specification
1	017753	1	Protection bar	
2	500069	4	Screw	M6S M10x30 8.8 FZB
3	500066	2	Screw	M6S M10x20 8.8 FZB
4	503075	6	Washer	M10 Nordlock Big / Stor
5	014117-12	4	Spacer	12 mm



Knife edge protection

Structure				
Pos.	Part no.	Quantity	Description	Specification
1	519010	1	Cover	L = 5m

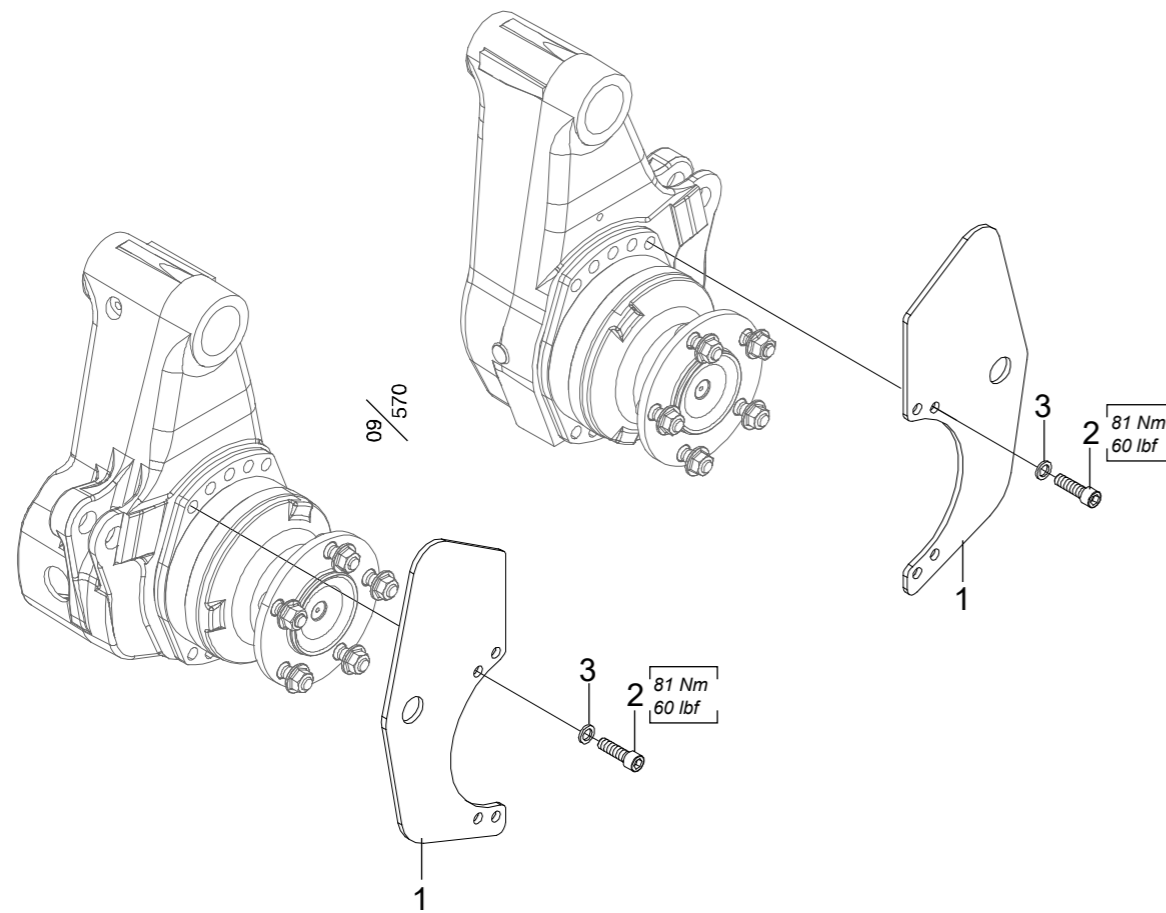


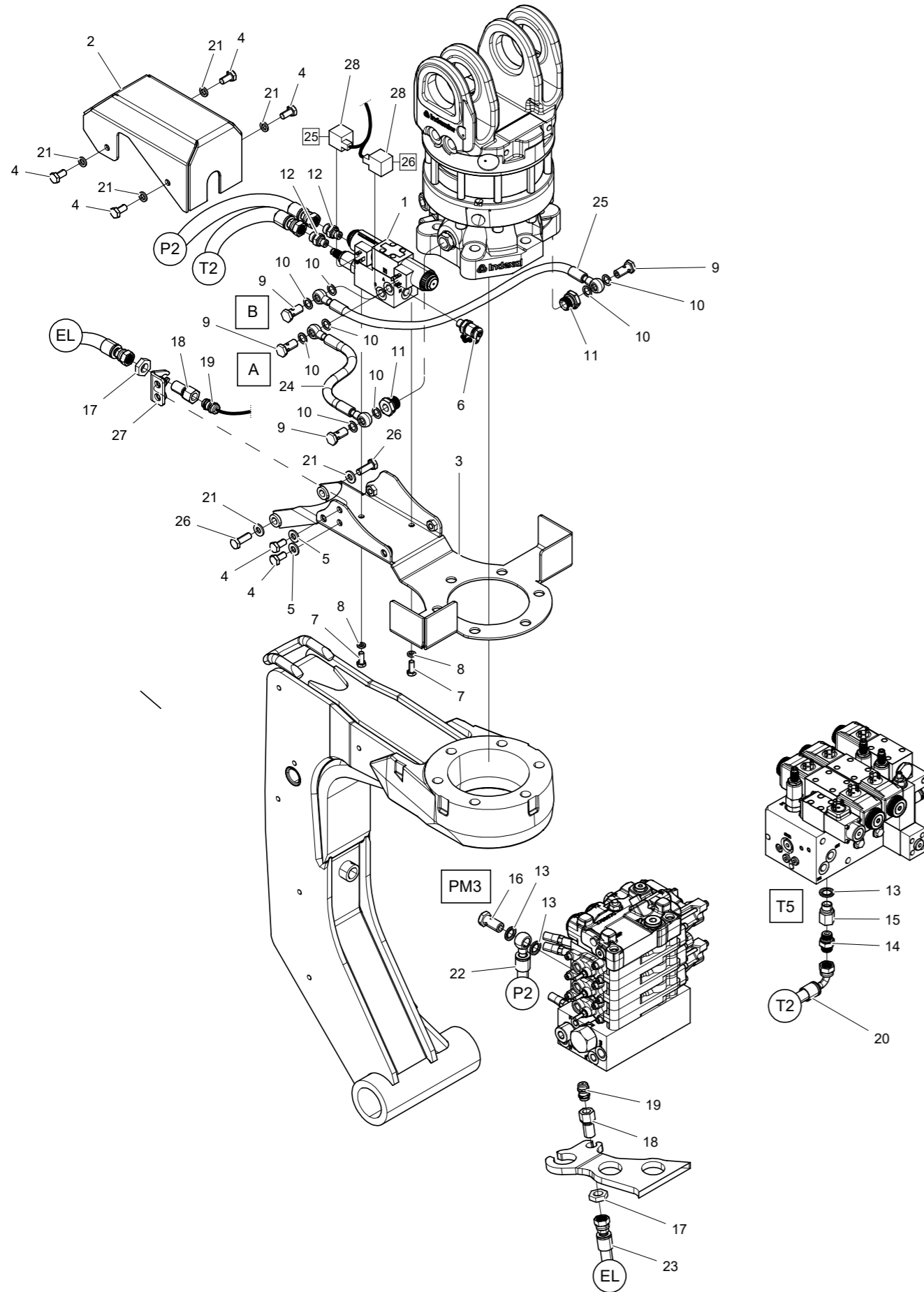
Real Easy

Structure 014995				
Pos.	Part no.	Quantity	Description	Specification
1	014832	1	Quick coupling	
2	501142	6	Screw	M16x110 12.9
3	014833	1	Quick coupling	
4	501138	6	Screw	M16x70 12.9 (AV12S)
	501140	6	Screw	M16x90 12.9 (H152D)
5	502705	6	Nut	M16 FZB KL10
6	014834	1	Screw	M48
7	503305	2	Washer	TF 51x100x6
8	014994	1	Nut	
9	501070	1	Screw	M8x25 12.9
10	522210	1	Hammer wrench	75 mm
11	503063	6	Washer	NL16

Rod cover

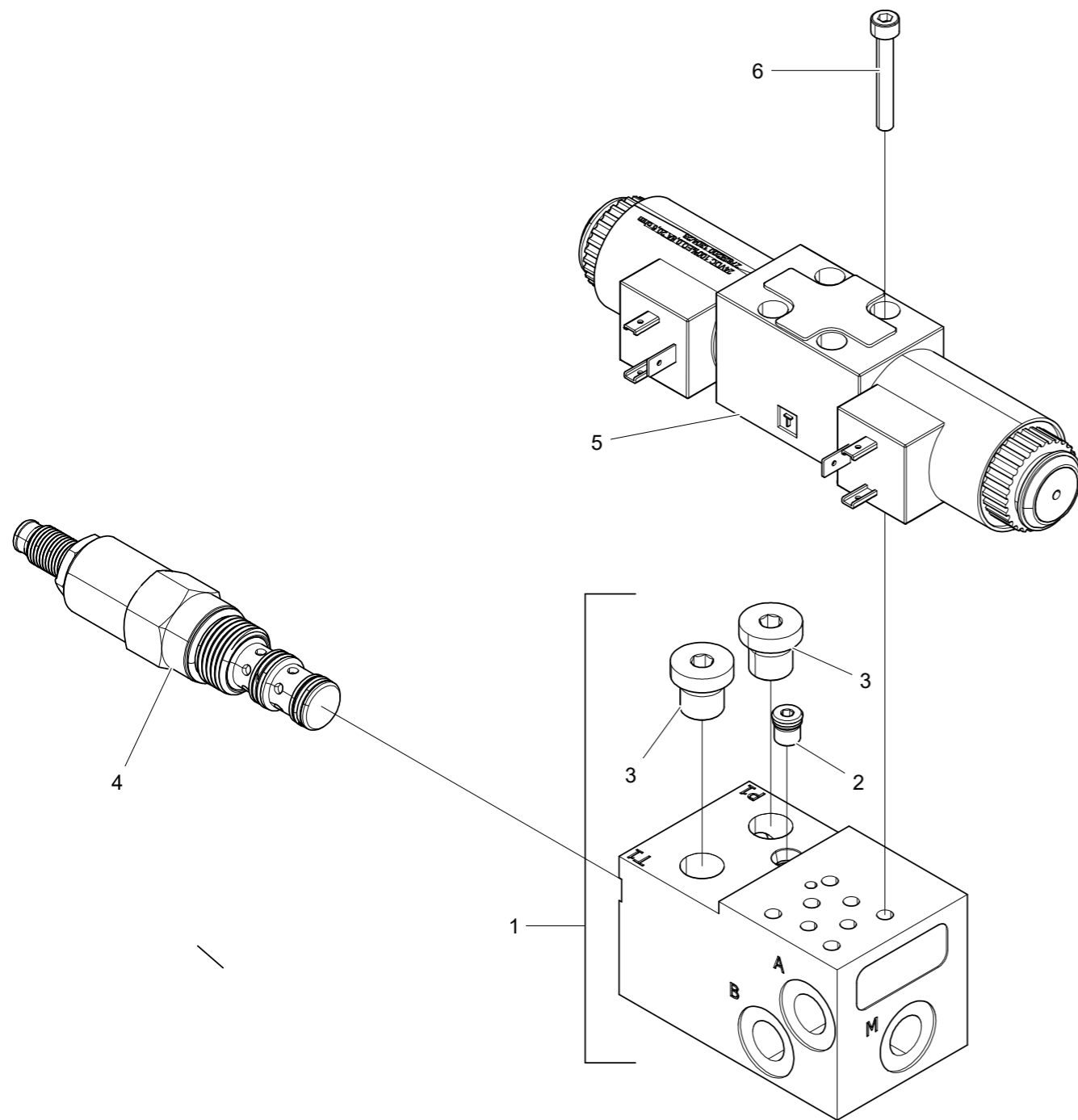
Structure 034676				
Pos.	Part no.	Quantity	Description	Specification
1	017706	2	Protection plate	
2	501111	8	Screw	M12x40 12.9
3	503060	8	Washer	NL12





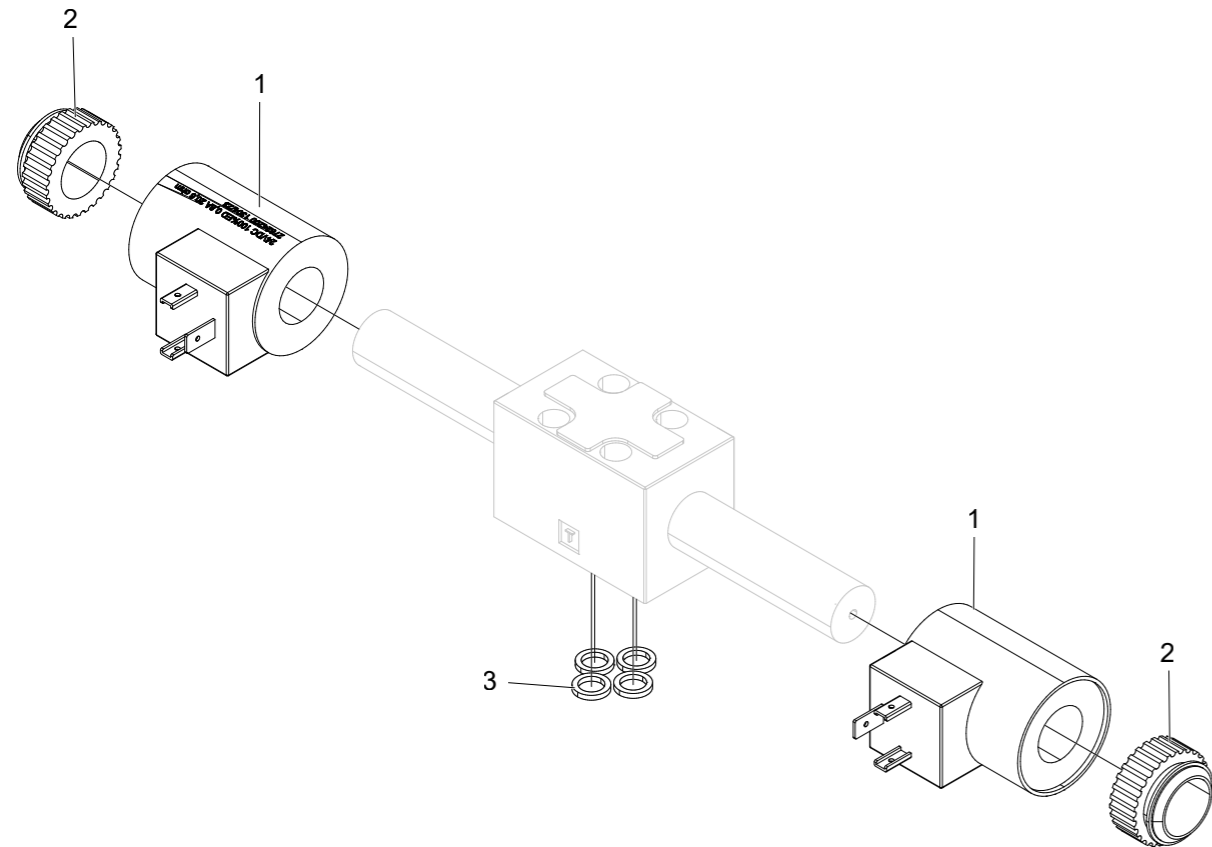
Rotator control felling link

Structure 034623				
Pos.	Part no.	Quantity	Description	Specification
1	017604	1	Manifold	
2	017881	1	Cover	
3	017888	1	Manifold	
4	500066	6	Screw	M10x20 8.8 FZB
5	503057	2	Washer	NL10
6	601261	1	Test point	
7	500043	2	Screw	M8x20 8.8 FZB
8	503055	2	Washer	NL8
9	601704	4	Banjo bolt	1/4"
10	601200	8	Seal ring	13x19x1,5
11	602059	2	Adaptor	1/2" - 1/4"
12	601752	2	Adapter	BSP 1/4" - 11/16" ORFS
13	601102	3	Seal ring	3/8"
14	601754	1	Adapter	BSP 3/8" - 11/16" ORFS
15	602051	1	Adaptor	3/8"
16	601708	1	Banjo bolt	3/8"
17	601745	2	Nut	11/16" ORFS
18	017288	2	Bulkhead	ORFS -06 PG9
19	401770	2	Cable sleeve	PG9
20	647221	1	Hose 7221	
21	503075	6	Washer	NL10
22	647222	1	Hose 7222	
23	647223	1	Hose 7223	
24	647224	1	Hose 7224	
25	647225	1	Hose 7225	
26	500069	2	Screw	M10x30 8.8 FZB
27	016666	1	Bracket	
28	401232	2	Cable w. Conn.	"25", "26"



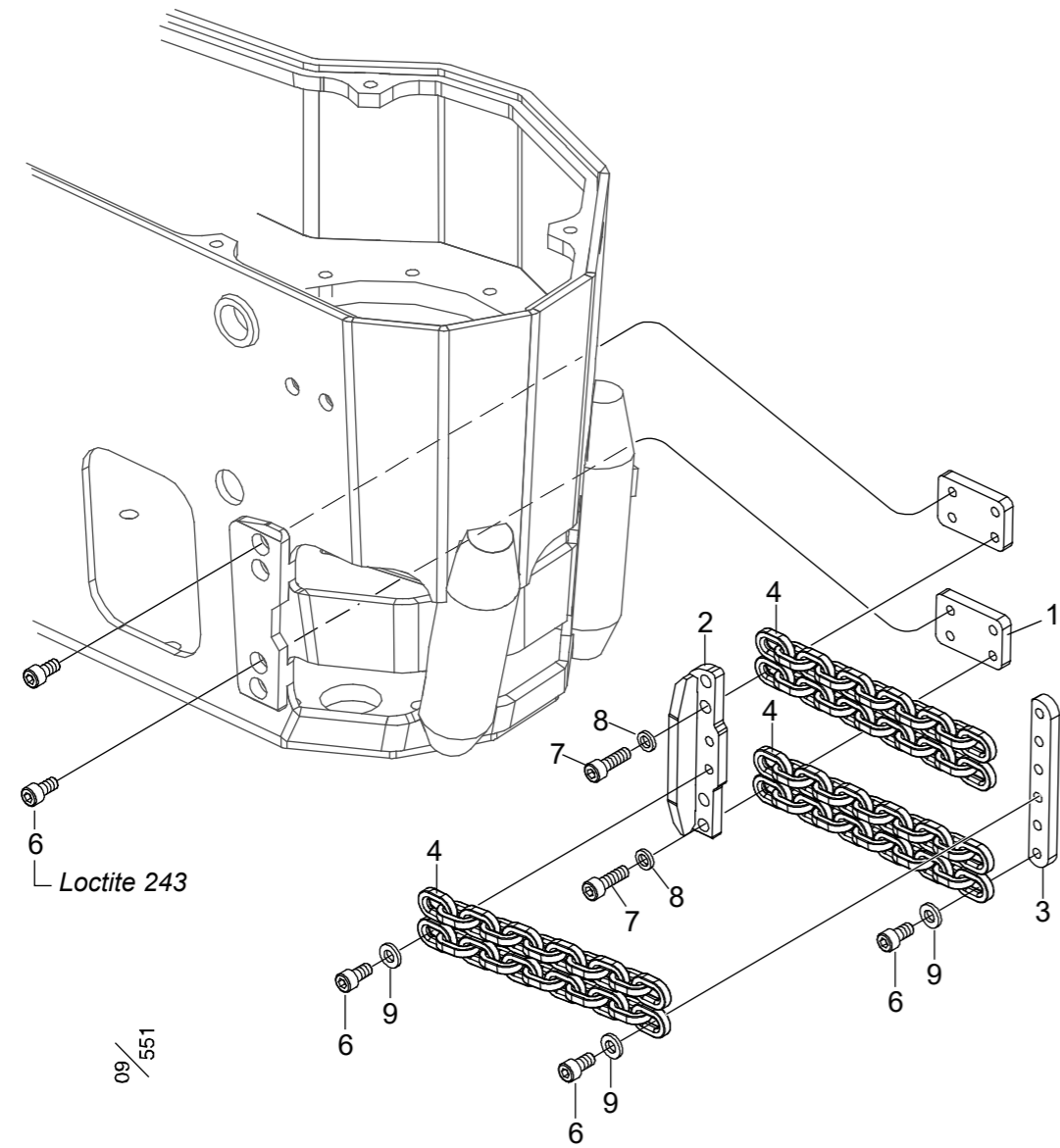
Manifold

Structure 017604				
Pos.	Part no.	Quantity	Description	Specification
1	612044	1	Manifold	
2	601020	2	Plug	UN 15/16-24
3	601001	2	Hex plug	1/4"
4	619016	1	Pressure reducer	
5	612031	1	Valve	24V NG4
6	501032	4	Screw	M5x35 12.9



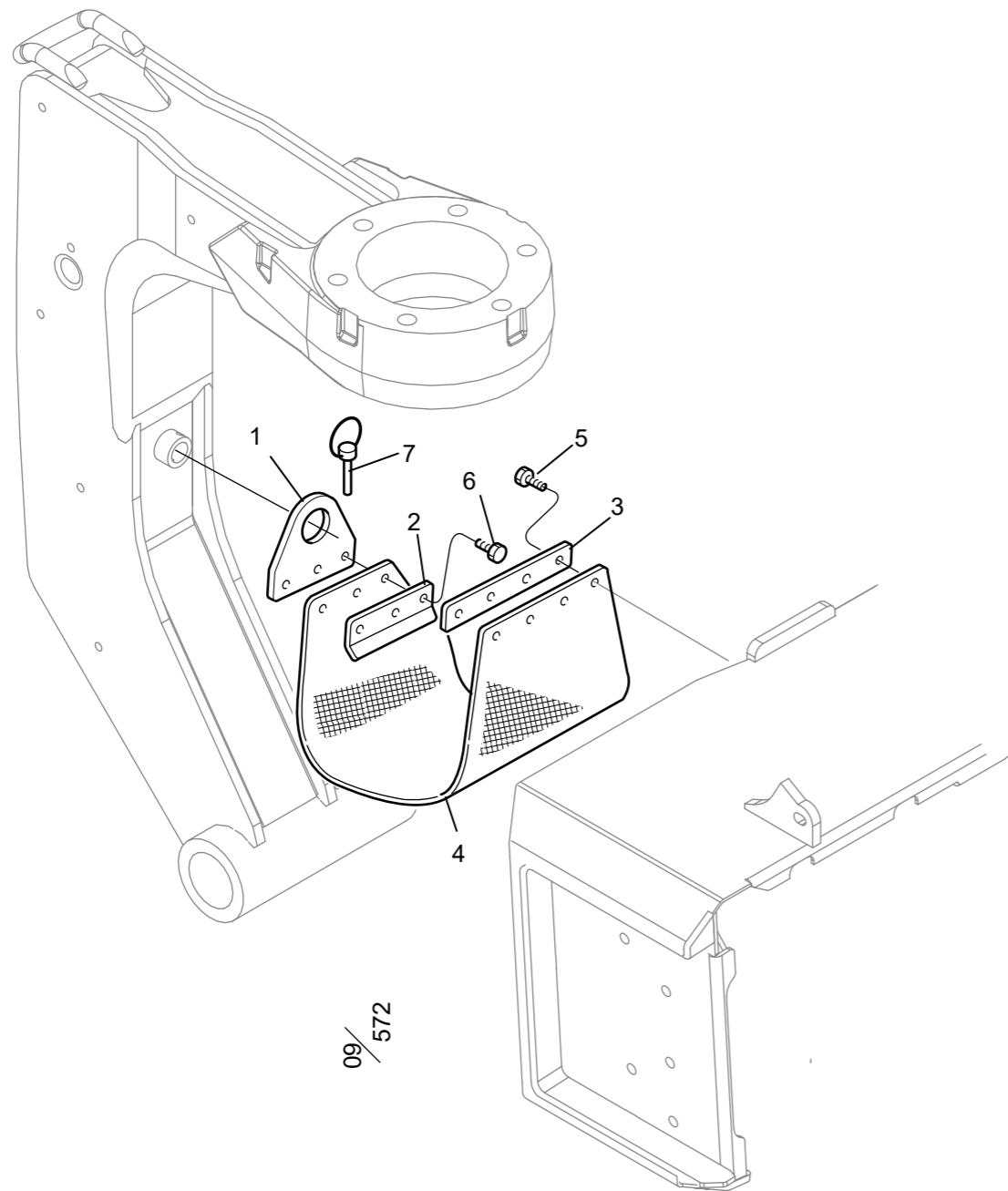
Valve

Structure 612031				
Pos.	Part no.	Quantity	Description	Specification
1	613076	2	Solenoid	
2	613105	2	Nut	
3	540037	4	O-ring	Ø7,65x1,68

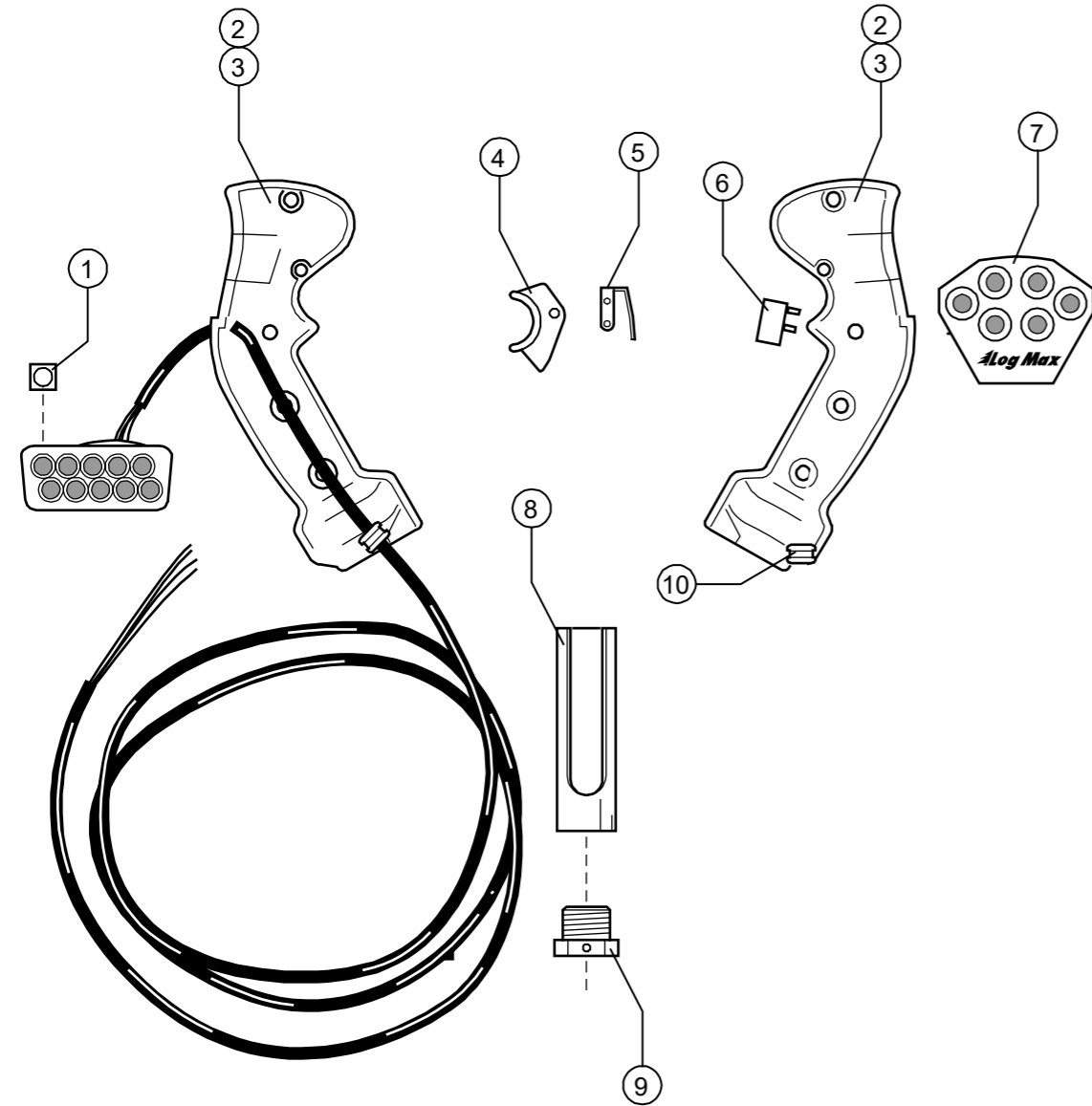


Saw dust cover

Structure 018056				
Pos.	Part no.	Quantity	Description	Specification
1	018055	2	Plate	
2	018054	1	Strip	
3	016776	1	Plate	
4	523002	6	Chain	11 links
6	503074	8	Washer	NL8
7	501070	4	Screw	M8x25 12.9
8	503055	4	Washer	NL8
9	501067	12	Screw	M8x16 12.9

**Snow cover**

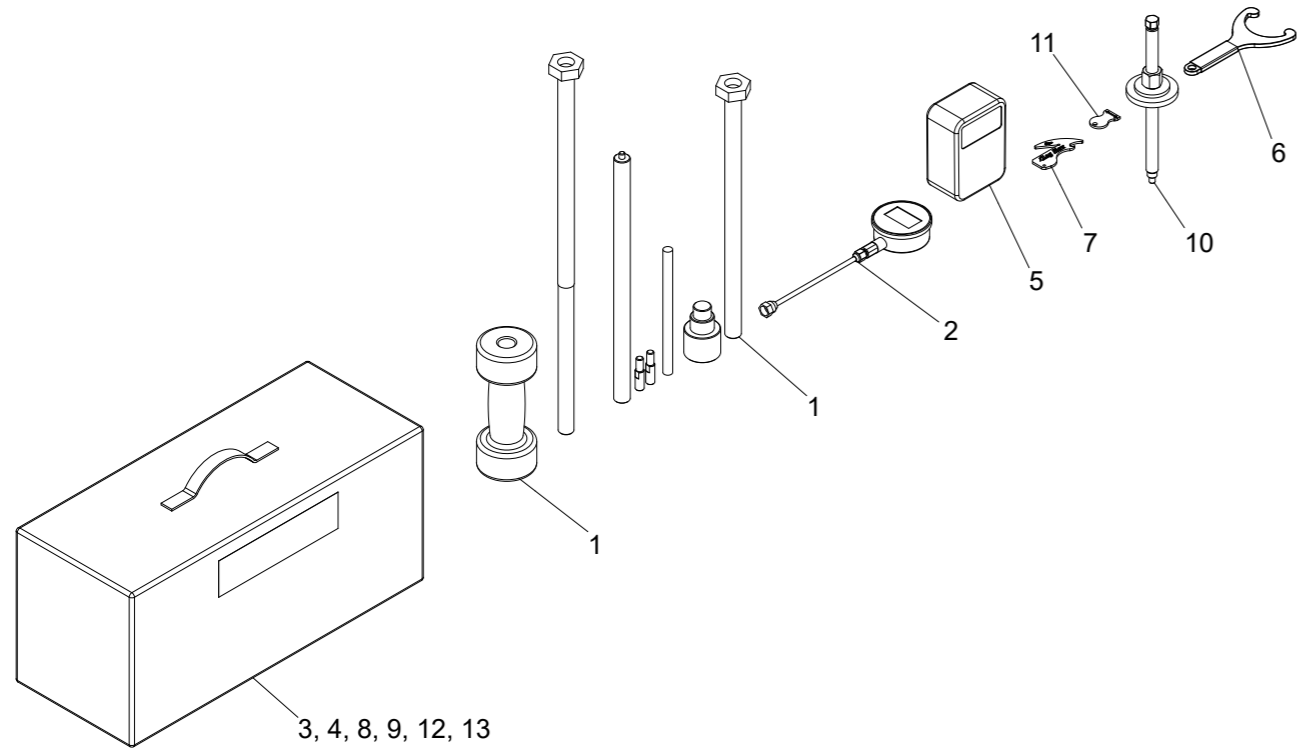
Structure 034675				
Pos.	Part no.	Quantity	Description	Specification
1	013133	1	Bracket	
2	013134	1	Bracket	
3	012808	1	Bracket	
4	017844	1	Rubber sheet	
5	500023	4	Screw	M6S M6x16 8.8 FZB
6	500021	3	Screw	M6S M6x12 8.8 FZB
7	521003	1	Ring pin	Ø 6x45 LST



09/004

SureGrip

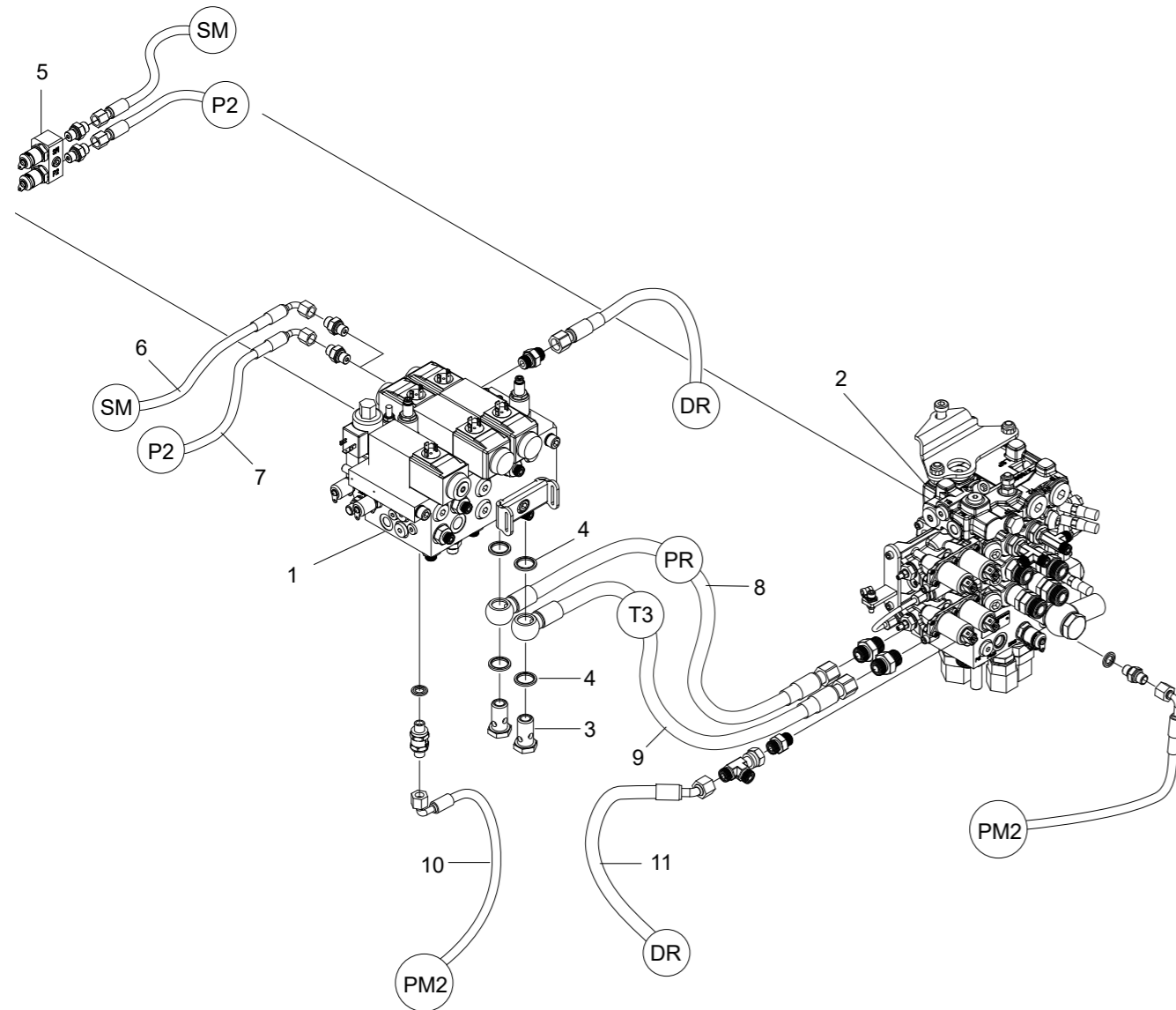
Structure				
Pos.	Part no.	Quantity	Description	Specification
1	402018	10	Key pad switch	
2	402020	1	Side key pad	
3	402021	1	Side key pad	
4	402027	1	Trigger	
5	402025	2	Leaf spring kit	
6	402028	8	Switch face plate	
7	402024	1	Button, overlay	
8	402036	1	Mounting tube	
9	010103	1	Adapter	
10	402035	2	Wire grommet	



Tool set

Structure 032309				
Pos.	Part no.	Quantity	Description	Specification
1	035030	1	Tool	
2	623053	1	Manometer	
3	522505	1	First aid kit	
4	522227	1	Allen key	
5	402804	1	Multimeter	
6	016537	1	Tool	
7	015662	1	Edge template	
8	522718	1	Tool	
9	519190	2	Decal	
10	016523	1	Tool	
11	10000394	1	Tool	
12	033801	1	User manual	
13	522506-LXL	1	Safety vest	

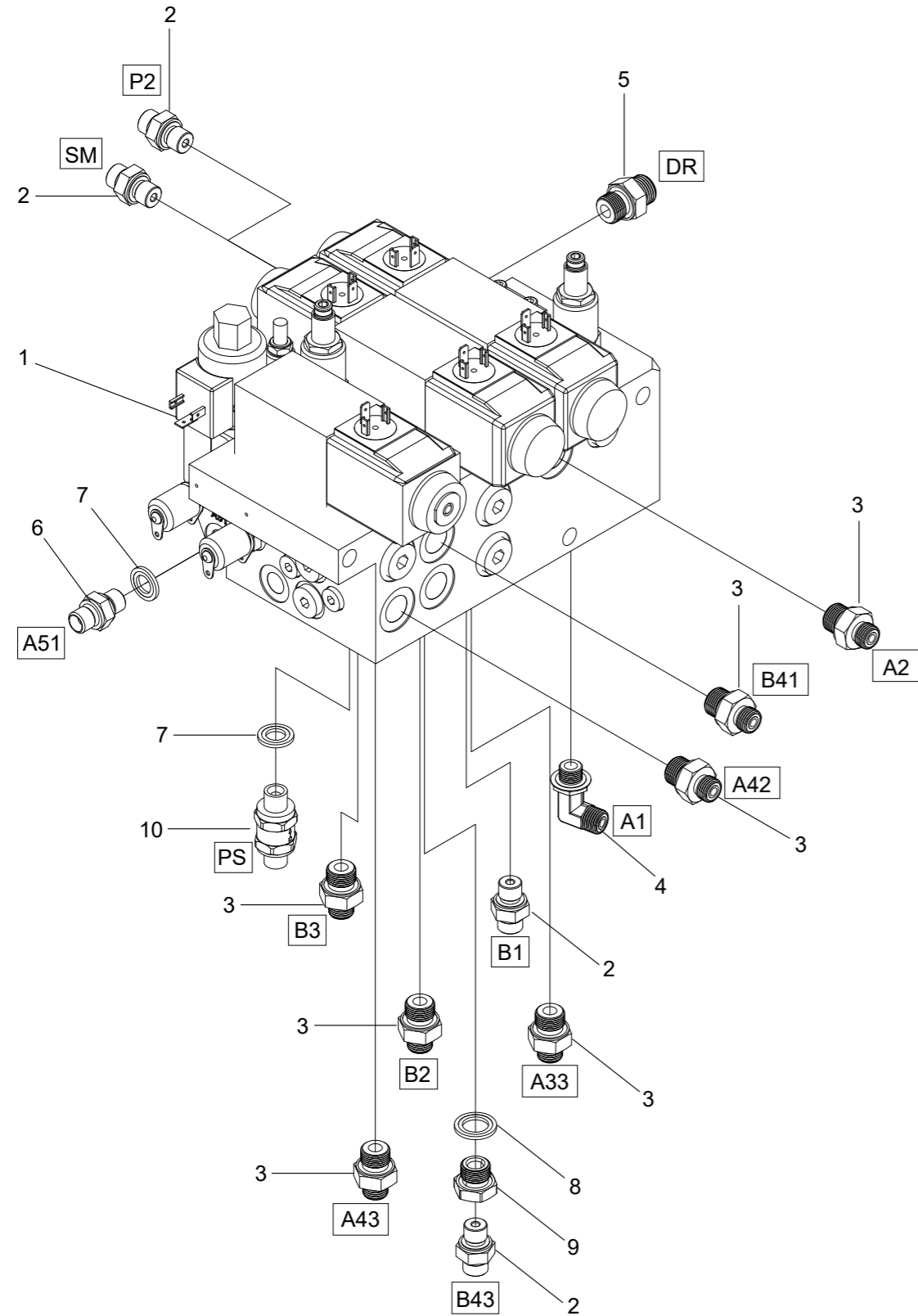
Hydraulic system



07/123

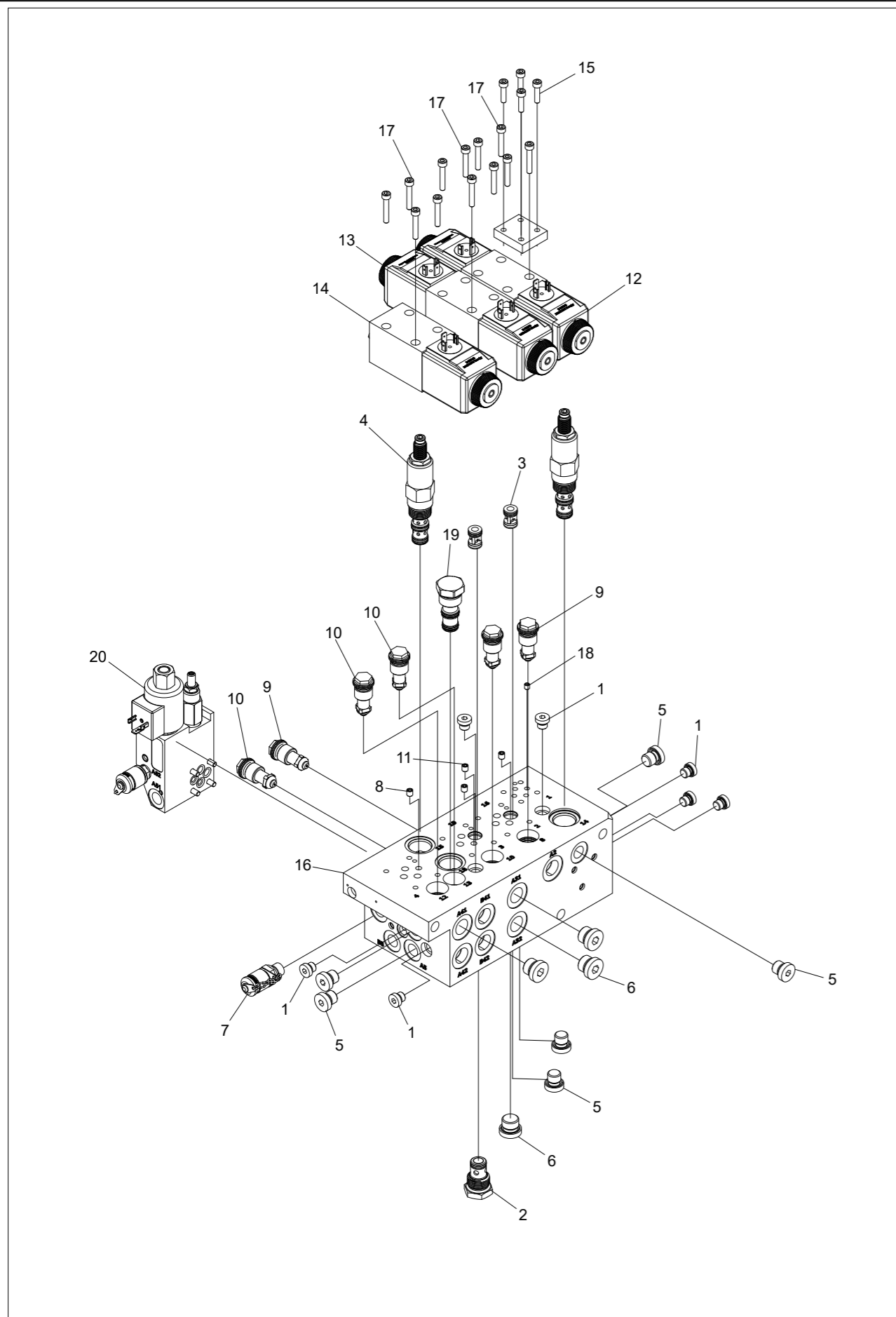
Interconnection of main manifolds #2

Structure				
006709-2, 006716-2				
Pos.	Part no.	Quantity	Description	Specification
1	018842	1	Manifold	
2	614018-02	1	Manifold	
3	601712	2	Banjo screw	1/2"
4	601103	4	Bonded seal	1/2"
5	013835	1	Manifold test point	
6	647126	1	Hydraulic hose	
7	647127	1	Hydraulic hose	
8	647138	1	Hydraulic hose	
9	647139	1	Hydraulic hose	
10	647152	1	Hydraulic hose	
11	647156	1	Hydraulic hose	



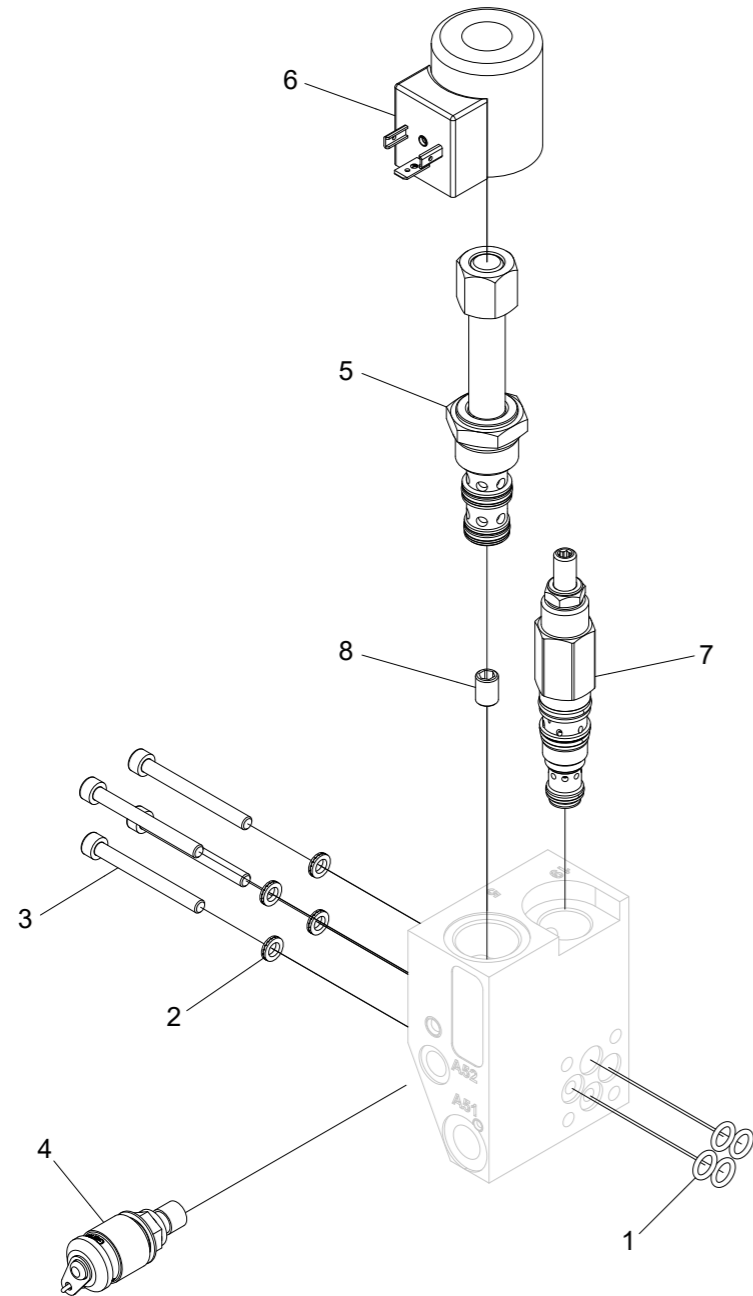
Left manifold PRE #2

Structure 006716-2				
Pos.	Part no.	Quantity	Description	Specification
1	018842	1	Manifold	
2	601750	4	Adapter	BSP -04 / ORFS -04
3	601753	7	Adapter	BSP -06 / ORFS -06
4	601725	1	Adapter	BSP -04 / ORFS -04
5	601754	1	Adapter	BSP -06 / ORFS -06
6	601028	1	Adapter	1/4"
7	601101	2	Bonded seal	1/4"
8	601102	1	Bonded seal	3/8"
9	602052	1	Adapter	3/8" - 1/4"
10	617009	1	Check valve	1/4"



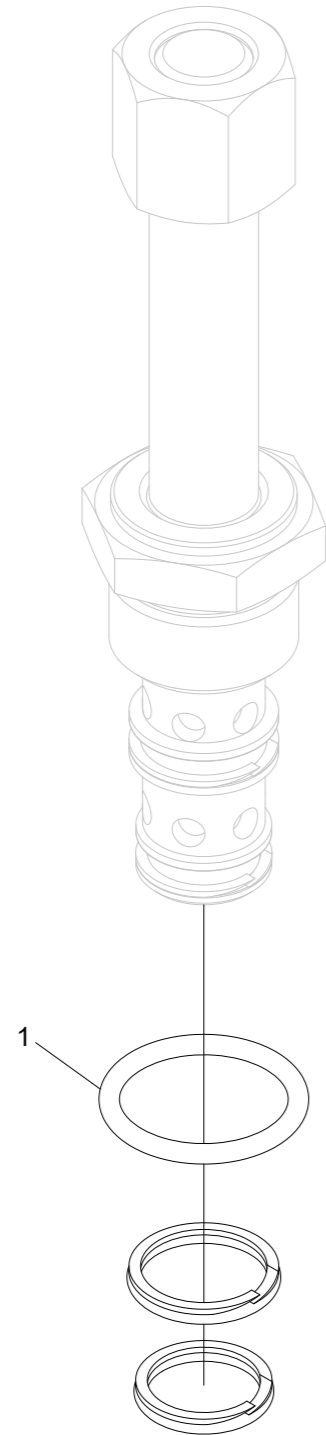
Left manifold #2

Structure 018842				
Pos.	Part no.	Quantity	Description	Specification
1	601000	7	Hex plug	1/8" R
2	617044	1	Check valve	0.34 bar
3	617013	2	Check valve	
4	619016	2	Pressure reducer valve	
5	601001	6	Hex plug	1/4" R
6	601002	4	Hex plug	3/8" R
7	601261	1	Test point	1/4"
8	613017	1	Orifice	M6 Ø2.5 mm
9	617032	2	Pressure reducer valve	210 bar
10	617033	4	Pressure reducer valve	190 bar
11	613018	3	Orifice	M6 Ø2.0 mm
12	010278	1	Directional valve	24V
13	010280	1	Directional valve	24V
14	011626	1	Directional valve	24V
15	501029	4	Screw	MC6S M5x20 12.9
16	612033	1	Manifold	
17	501031	12	Screw	MC6S M5x30 12.9
18	613033	1	Orifice	M5 Ø 2.0 mm
19	612104	1	Plug	
20	018533	1	Manifold	



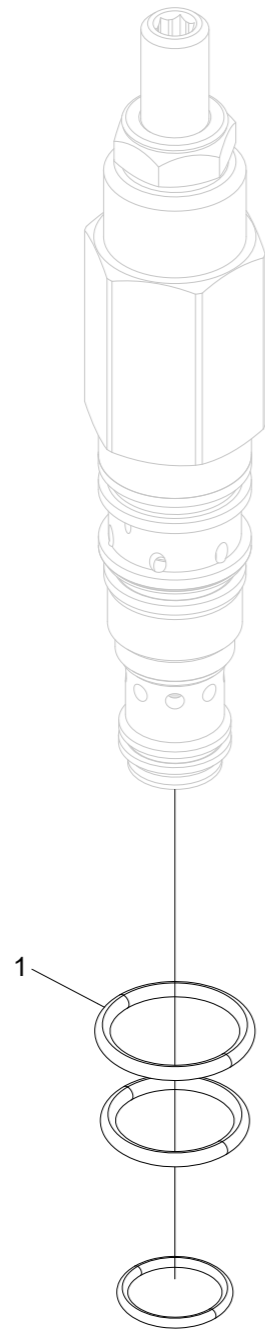
Manifold #2

Structure 018533				
Pos.	Part no.	Quantity	Description	Specification
1	540036	4	O-ring	7.65x1x78
2	503066	4	Washer	M5 Nordlock
3	501035	4	Screw	MC6S M5x50 12.9
4	601260	1	Test point	1/8"
5	612072	1	Directional valve	24V
6	612137	1	Solenoid	
7	612073	1	Pressure reducer valve	
8	613023	1	Orifice	M8 Ø0.8 mm



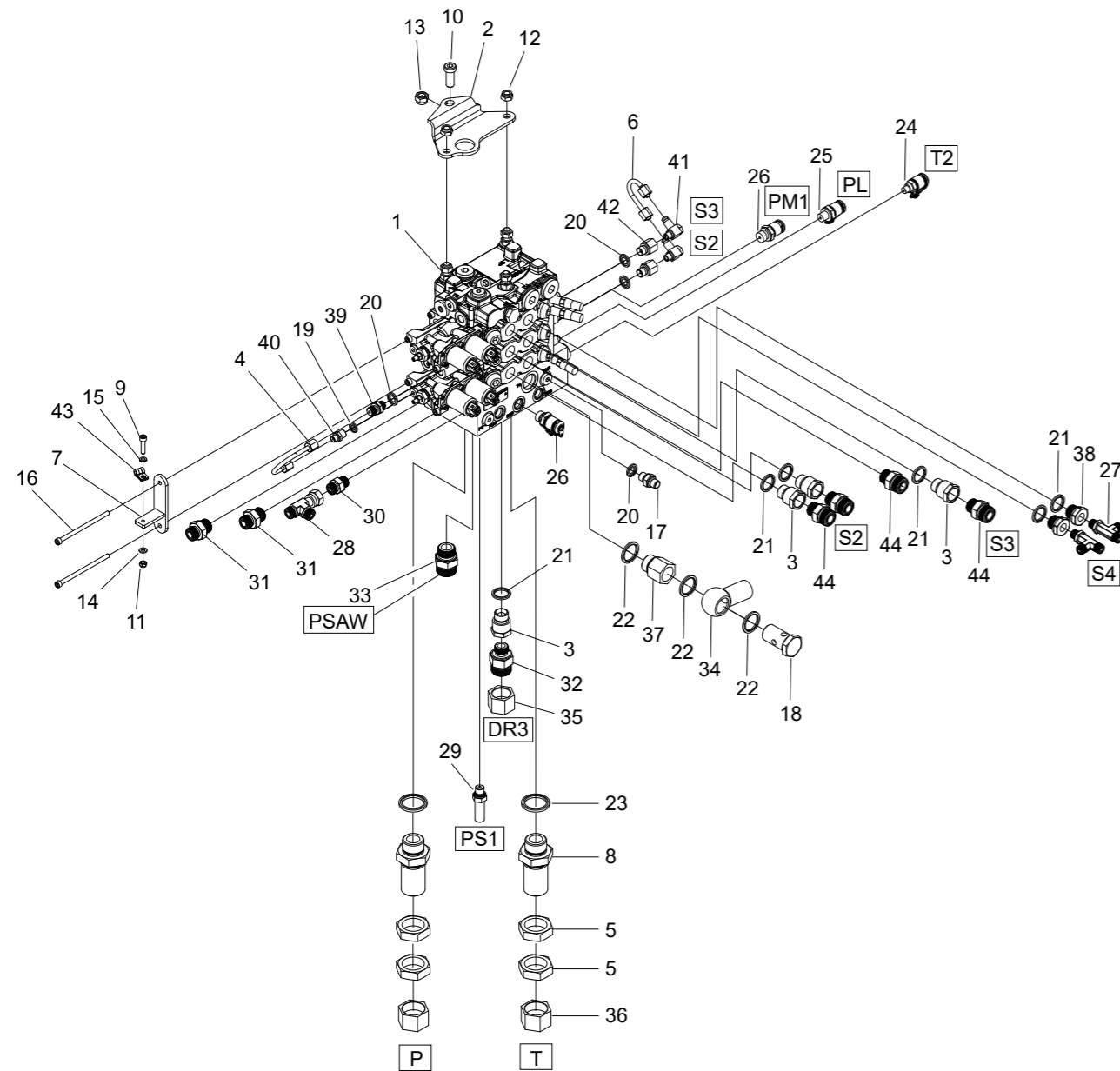
Directional valve #2

Structure 612072				
Pos.	Part no.	Quantity	Description	Specification
1	612077	1	Seal kit	



Pressure reducer valve #2

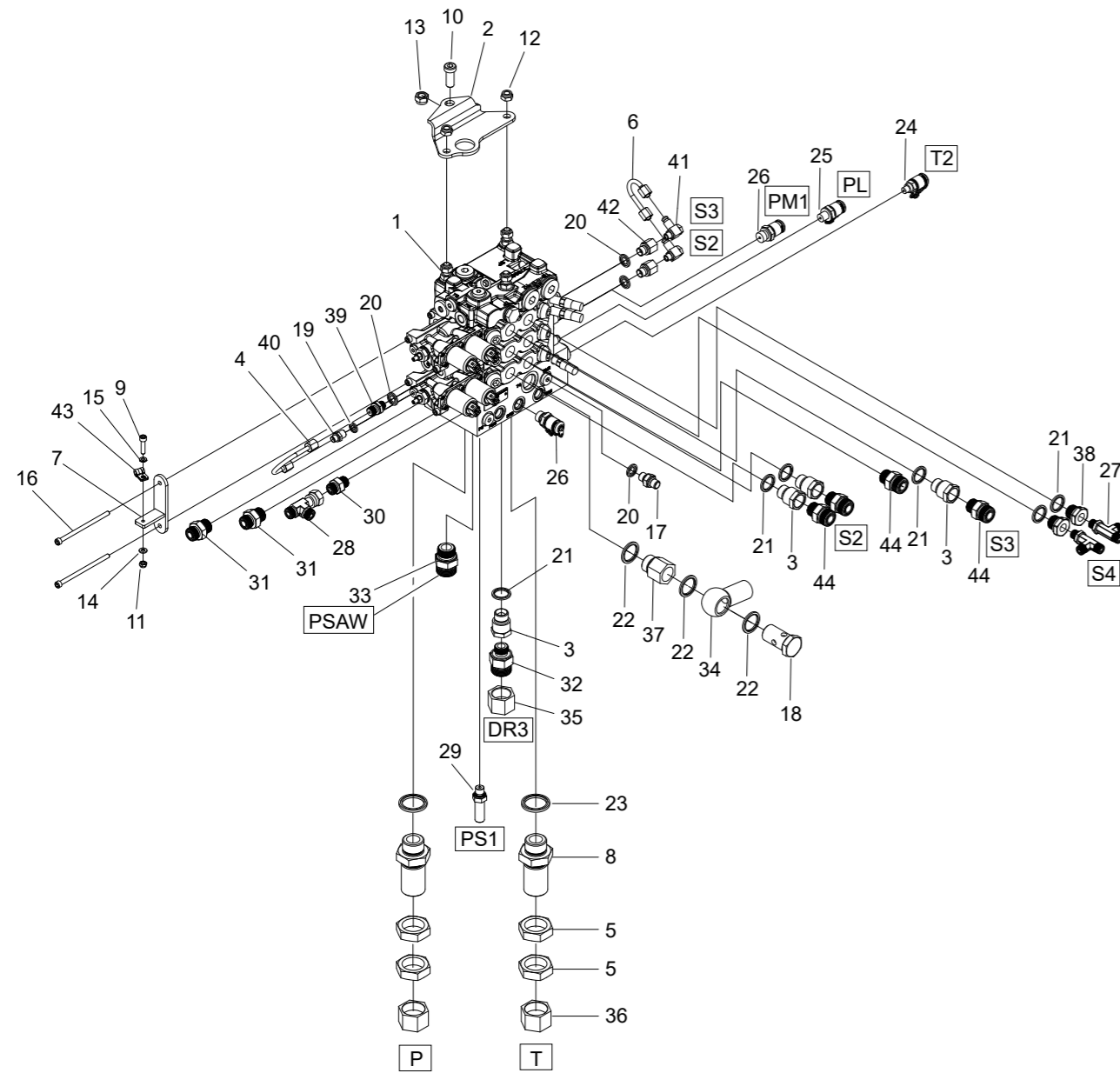
Structure 612073				
Pos.	Part no.	Quantity	Description	Specification
1	612074	1	Seal kit	



07/091

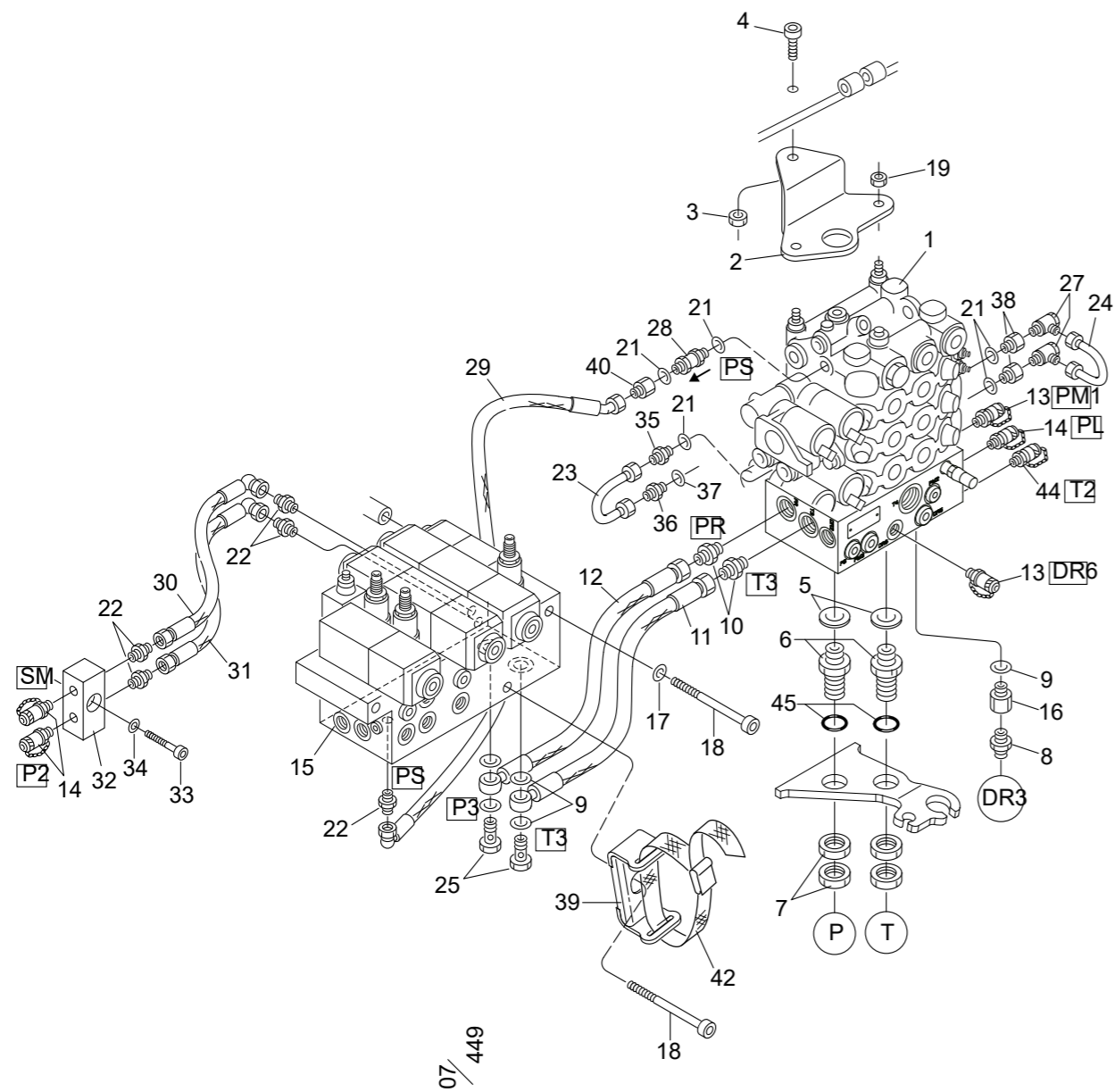
Right manifold assembly #2

Structure 006709-2				
Pos.	Part no.	Quantity	Description	Specification
1	614018-02	1	Manifold	
2	012360	1	Bracket	
3	013805	4	Adapter	1/2"
4	013830	1	Tube	
5	013884	4	Nut	1 7/16"
6	014193	1	Tube	
7	014221	1	Bracket	
8	017253	2	Bulk head	1" - ORFS 16
9	501048	1	Screw	M6x25 12.9
10	501125	1	Screw	M12x30 10.9
11	502053	1	Nut	M6
12	502055	2	Nut	M10
13	502056	1	Nut	M12
14	503004	1	Washer	FZB 6,4x12x1,6
15	503065	1	Washer	NL6
16	505055	2	Screw	M6x105 12.9
17	601028	1	Adapter	1/4"
18	601067	1	Banjo screw	3/4"
19	601100	1	Bonded seal	1/8"
20	601101	4	Bonded seal	1/4"
21	601103	6	Bonded seal	1/2"
22	601104	3	Bonded seal	3/4"
23	601105	2	Bonded seal	1"
24	601260	1	Test point	1/8"
25	601261	1	Test point	1/4"
26	601262	2	Test point	3/8"
27	601735	2	T-adapter	ORFS -04
28	601736	1	T-adapter	ORFS -06
29	601751	1	Adapter	BSP 1/4" - 9/16" ORFS
30	601754	1	Adapter	BSP -06 - ORFS -06
31	601758	2	Adapter	BSP -08 - ORFS -08
32	601760	1	Adapter	BSP -08 - ORFS -12
33	601762	1	Adapter	BSP -12 - ORFS -12



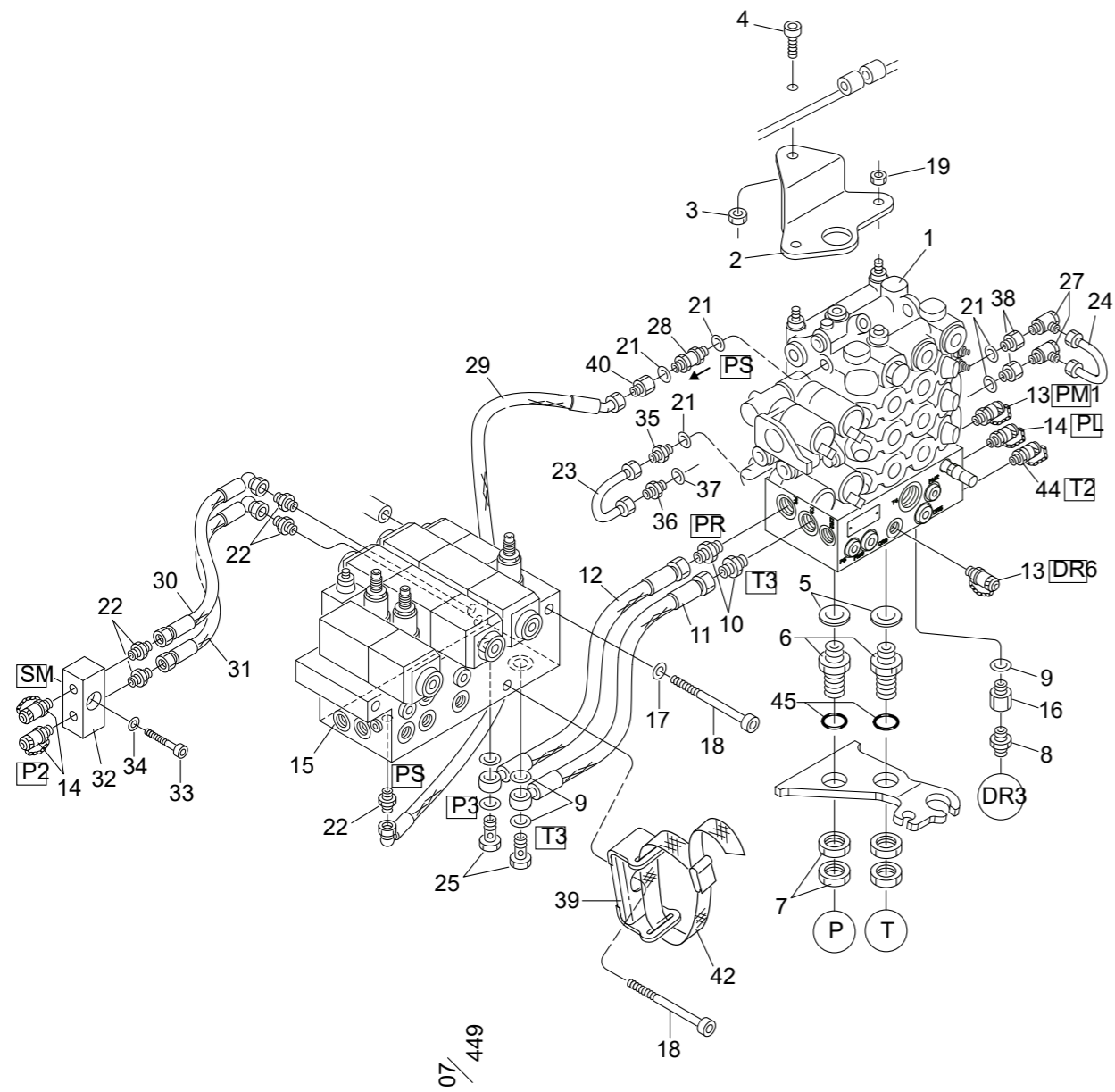
07/091

Structure				
Pos.	Part no.	Quantity	Description	Specification
34	601779	1	Adapter	3/4"
35	601791	1	Plug	1 3/16" ORFS
36	601792	2	Plug	1 7/16" ORFS
37	602057	1	Adapter	3/4"
38	602059	2	Adapter	1/2" - 1/4"
39	602060	1	Adapter	1/4"
40	602061	1	Adapter	1/8"
41	602075	2	Adapter	1/8"
42	602086	2	Adapter	1/4" - 1/8"
43	622061	1	Clamp	
44	601759	4	Adapter	BSP -08 / ORFS -10

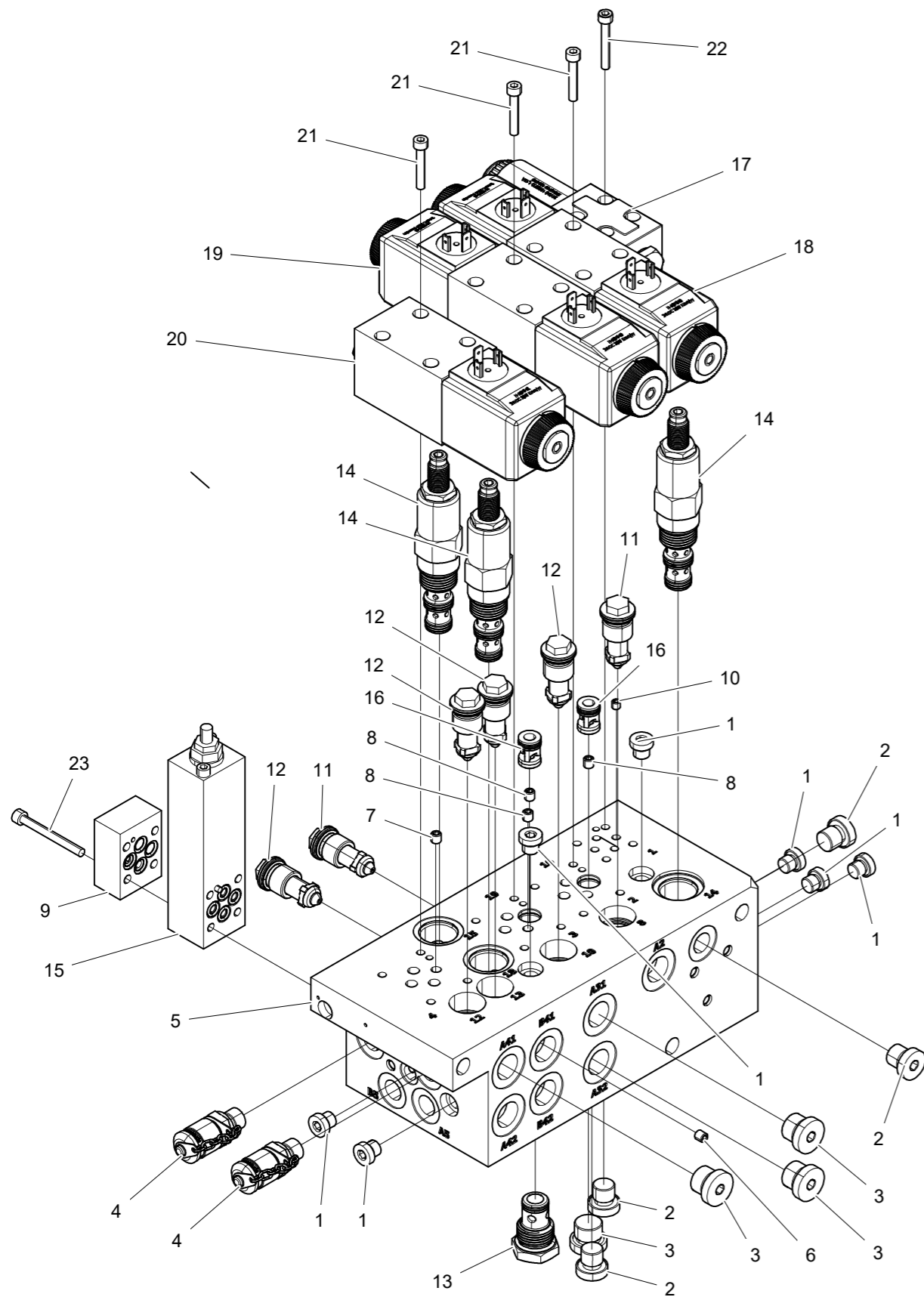


Interconnection of main manifolds

Structure 006706, 006708				
Pos.	Part no.	Quantity	Description	Specification
1	614018-01	1	Manifold	
2	012360	1	Bracket	
3	502056	1	Nut	M12
4	501125	1	Screw	M12x30 10.9
5	601105	2	Seal ring	1"
6	017253	2	Bulkhead	1" - ORFS 16
7	013884	4	Nut	1 7/16"
8	601760	1	Adapter	1/2" - 1.3/16" ORFS
9	601103	5	Seal ring	1/2"
10	601758	2	Adapter	1/2" - 13/16" ORFS
11	647139	1	Hose 7139	
12	647138	1	Hose 7138	
13	601262	2	Test point	3/8"
14	601261	3	Test point	1/4"
15	014808	1	Manifold	
16	013805	1	Coupling	1/2"
17	503057	2	Washer	NL10
18	501104	3	Screw	M10x140 12.9
19	502055	2	Nut	M10
21	601101	5	Seal ring	1/4"
22	601750	5	Adapter	BSP 1/4" - 9/16" ORFS
23	013830	1	Tube compl	
24	014193	1	Tube compl.	
25	601712	2	Banjo bolt	1/2"
27	602075	2	Coupling	1/8" - 6L
28	617009	1	Check valve	1/4"
29	647137	1	Hose 7137	
30	647126	1	Hose 7126	
31	647127	1	Hose 7127	
32	013835	1	Manifold	
33	501072	1	Screw	M8x35 12.9
34	503055	1	Washer	NL8
35	602060	1	Coupling	1/4" - 6L

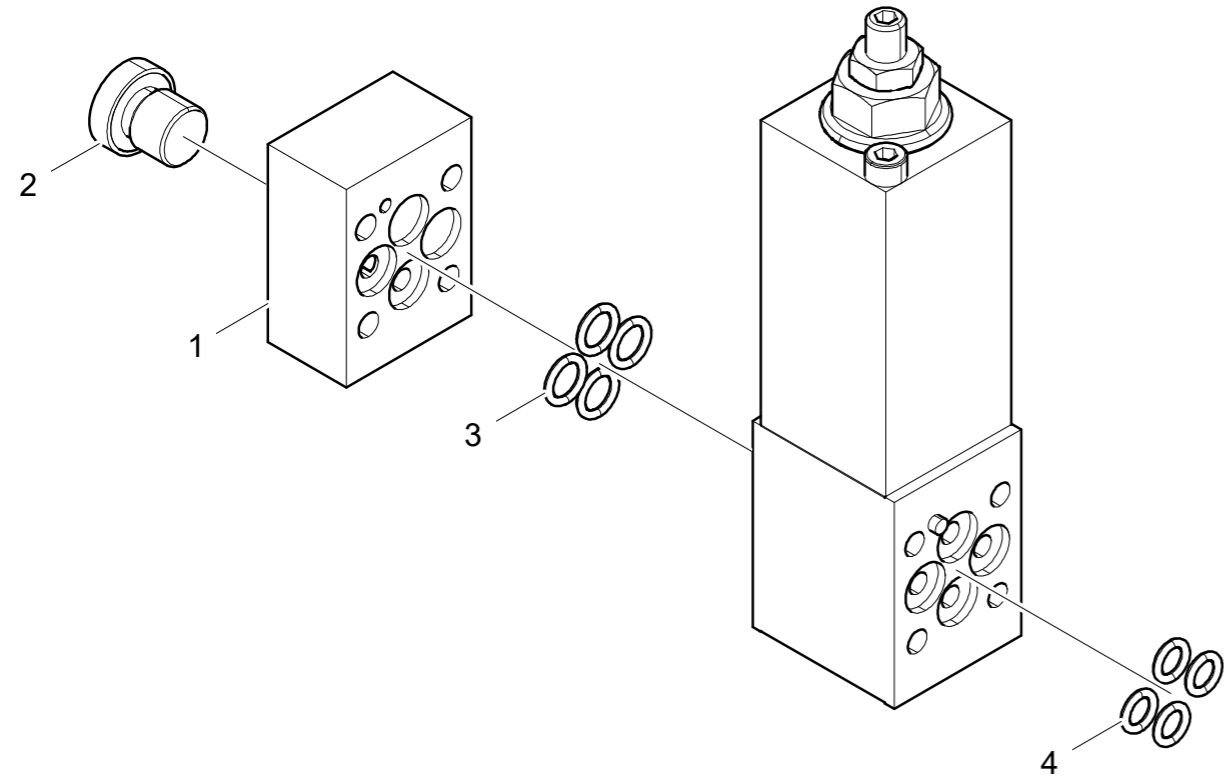


Structure				
Pos.	Part no.	Quantity	Description	Specification
36	602061	1	Coupling	1/8" - 6L
37	601100	1	Seal ring	1/8"
38	602086	2	Coupling	1/4" - 1/8"
39	016072	1	Hose clamp	
40	601775	1	Adapter	
42	626001	1	Strap	
44	601260	1	Test point	1/8"
45	543051	2	O-ring	23,52x1,78



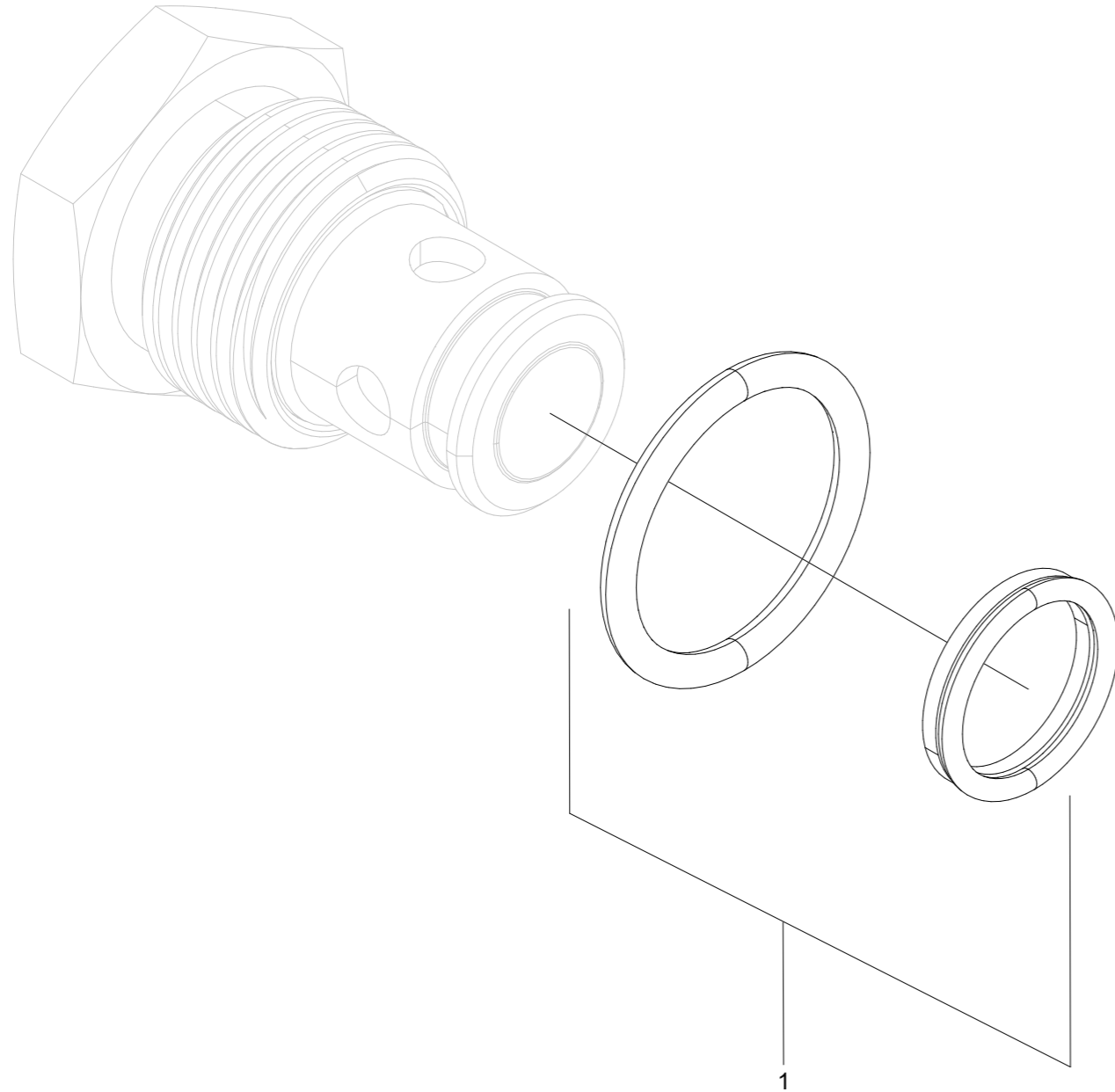
Left manifold

Structure 017808				
Pos.	Part no.	Quantity	Description	Specification
1	601000	7	Hex plug	1/8" R
2	601001	4	Hex plug	1/4" R
3	601002	4	Hex plug	3/8" R
4	601261	2	Test point	1/4"
5	612033	1	Manifold	
6	613015	1	Orifice	M6 Ø1.2 mm
7	613017	1	Orifice	M6 Ø2.5 mm
8	613018	3	Orifice	M6 Ø2.0 mm
9	613021	1	Cover	
10	613033	1	Orifice	M5 Ø 2,0 mm
11	617032	2	Pressure reducer valve	210 bar
12	617033	4	Pressure reducer valve	190 bar
13	617044	1	Check valve	0.34 bar
14	619016	3	Pressure reducer valve	
15	619022	1	Blocking valve	
16	617013	2	Check valve	
17	612057	1	Valve	24V NG4
18	010278	1	Valve	24V
19	010280	1	Valve	24V
20	011626	1	Valve	24V
21	501031	12	Screw	MC6S M5x30 12.9
22	501032	4	Screw	MC6S M5x35 12.9
23	501035	4	Screw	MC6S M5x50 12.9



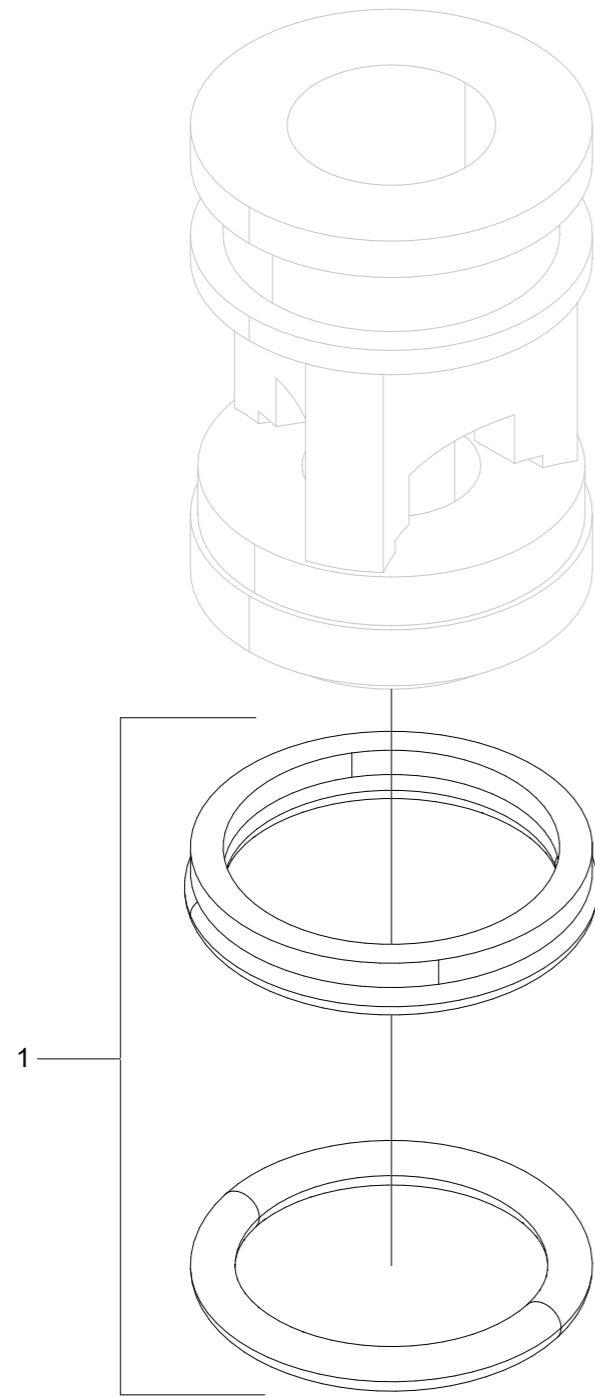
Blocking valve

Structure 619022				
Pos.	Part no.	Quantity	Description	Specification
1	613021	1	Cover	
2	601001	1	Hex plug	1/4"
3	540036	4	O-ring	7,66x1,78
4	540034	4	O-ring	6,07x1,78



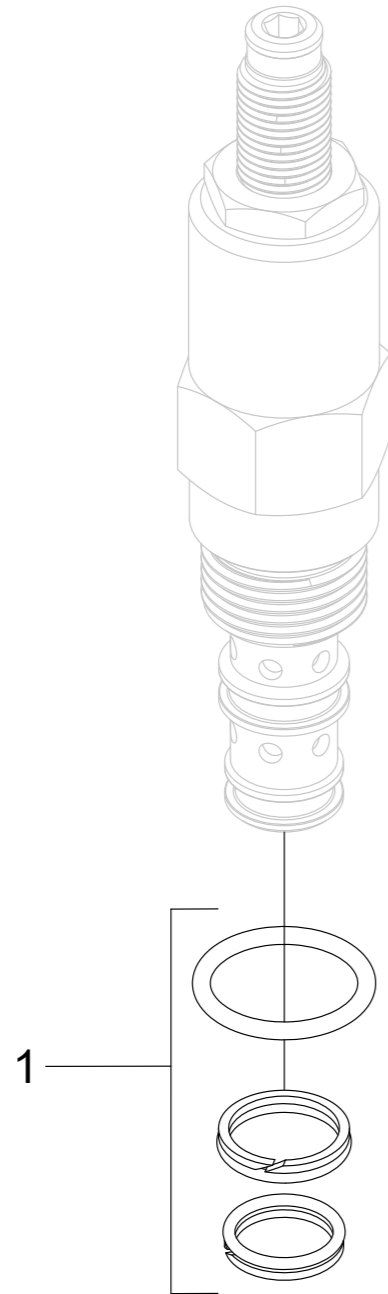
Check valve

Structure 617044				
Pos.	Part no.	Quantity	Description	Specification
1	620351	1	Seal kit	



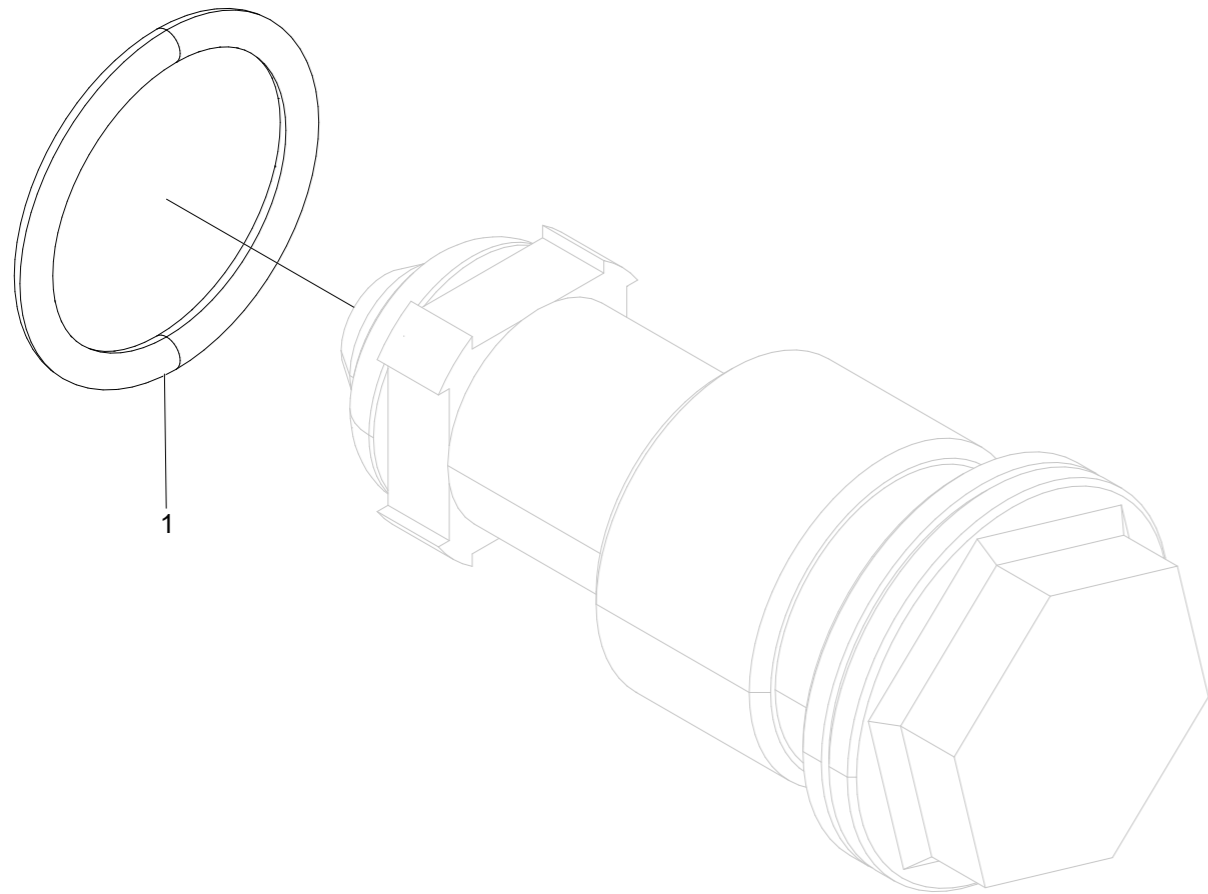
Check valve

Structure 617013				
Pos.	Part no.	Quantity	Description	Specification
1	620356	1	Seal kit	

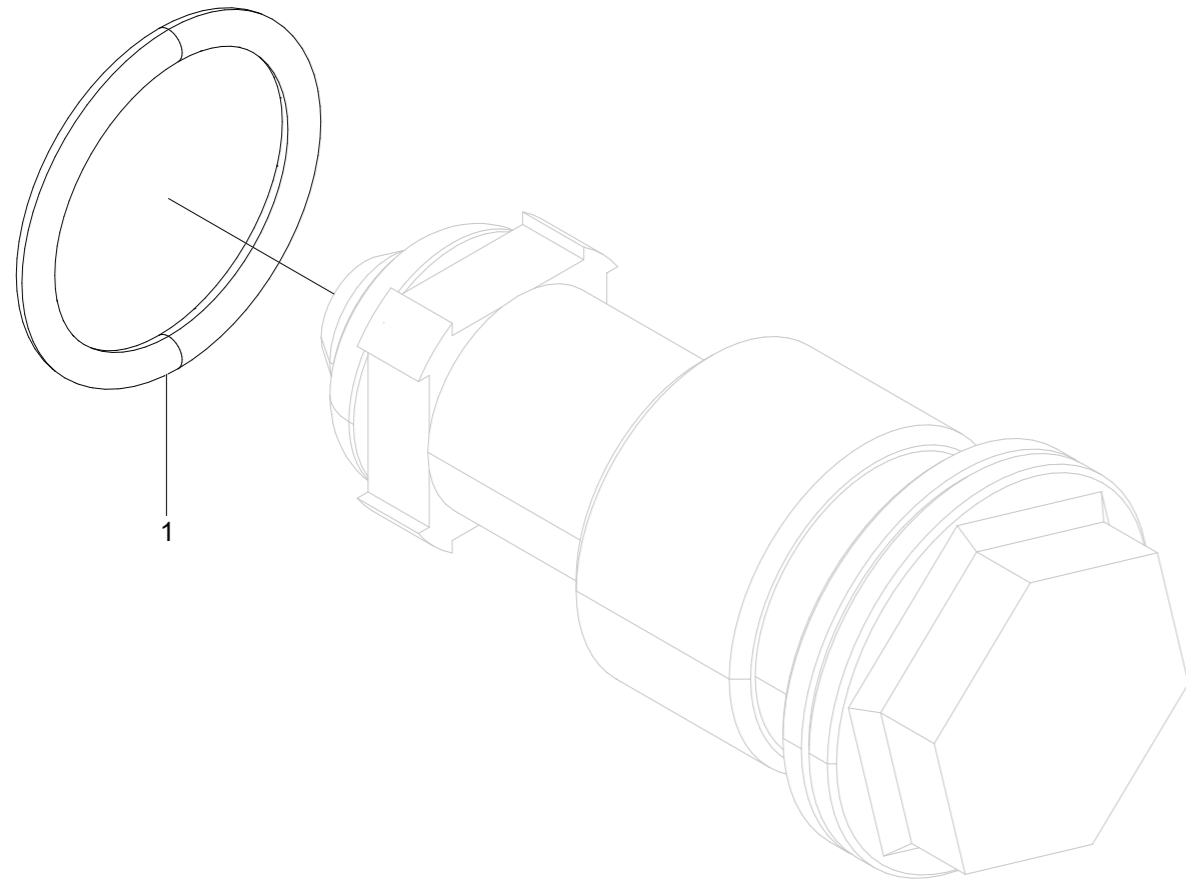


Pressure reducer valve

Structure 619016				
Pos.	Part no.	Quantity	Description	Specification
1	620352	1	Seal kit	

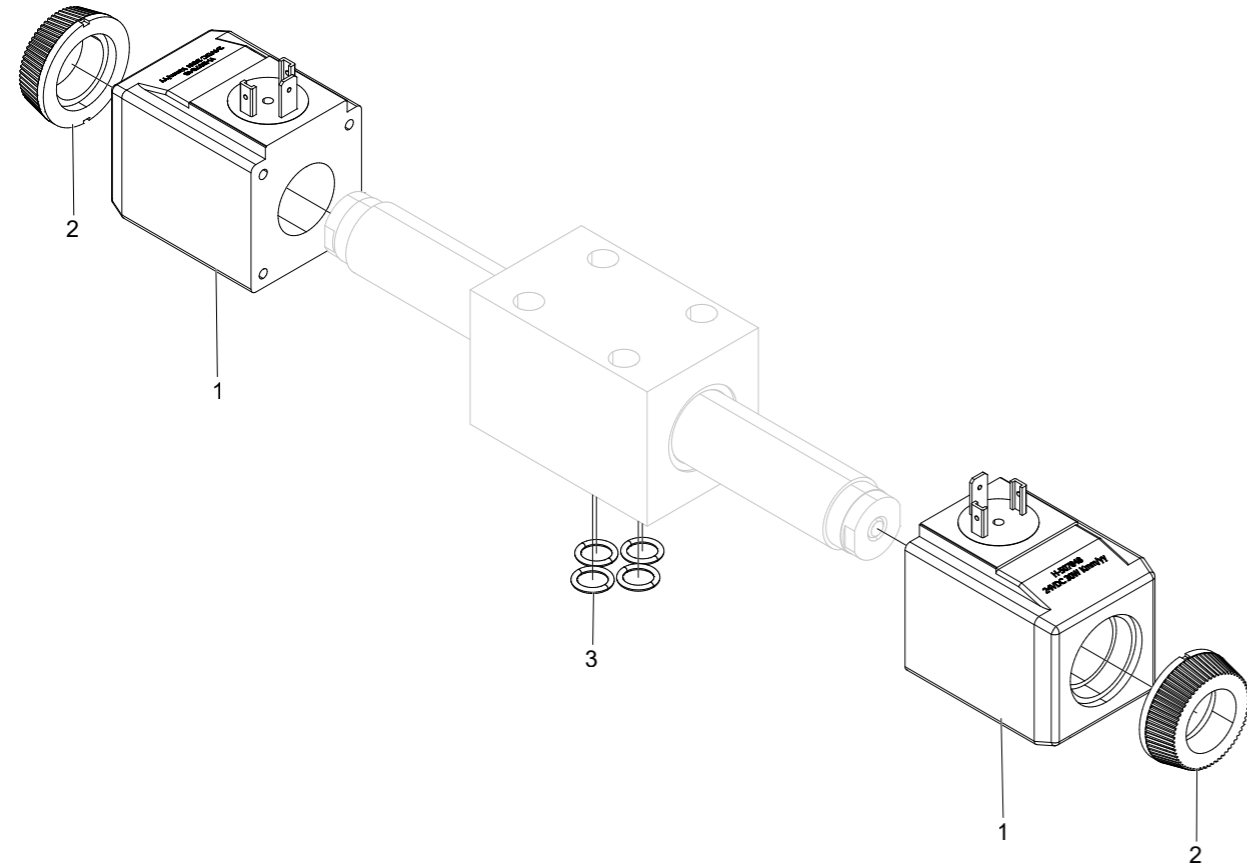
**Pressure reducer valve**

Structure 617032				
Pos.	Part no.	Quantity	Description	Specification
1	540043	1	O-ring	15,6x1,78

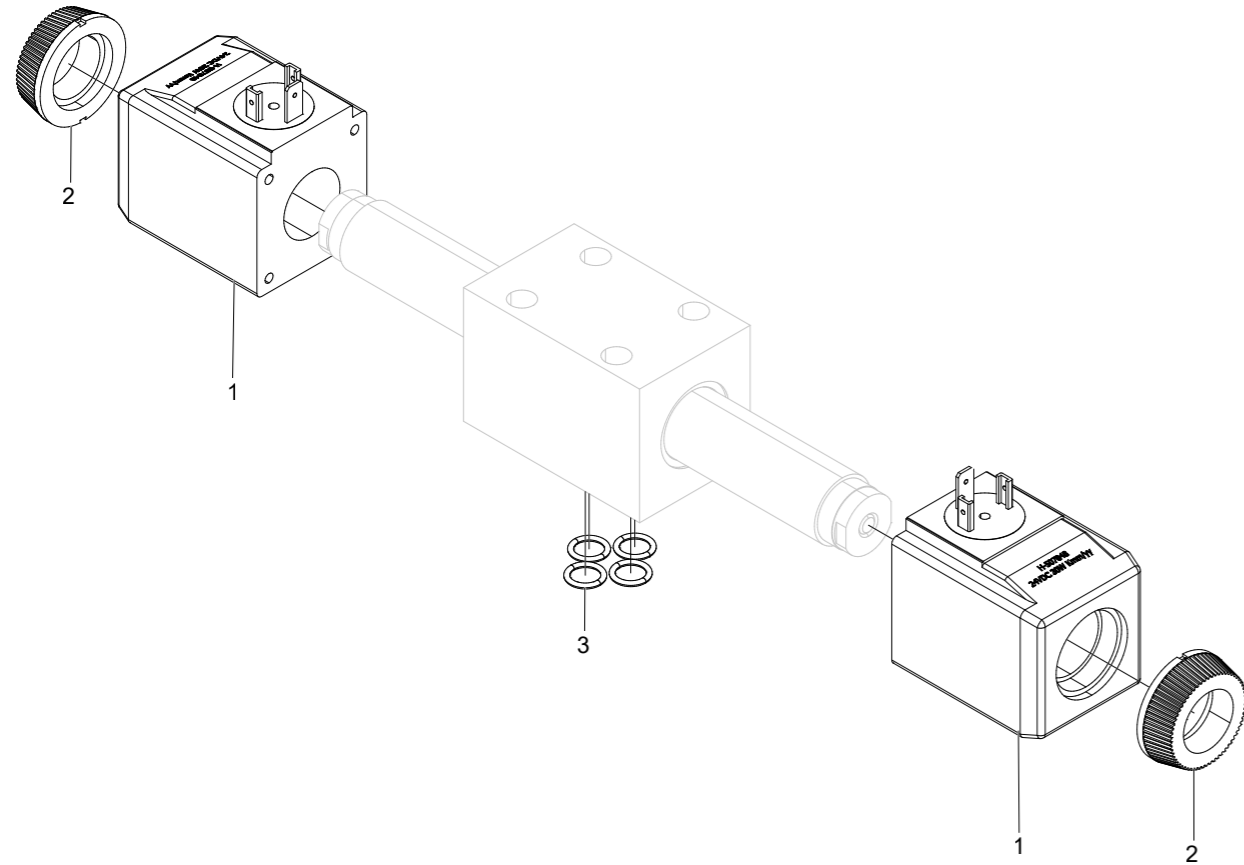


Pressure reducing valve

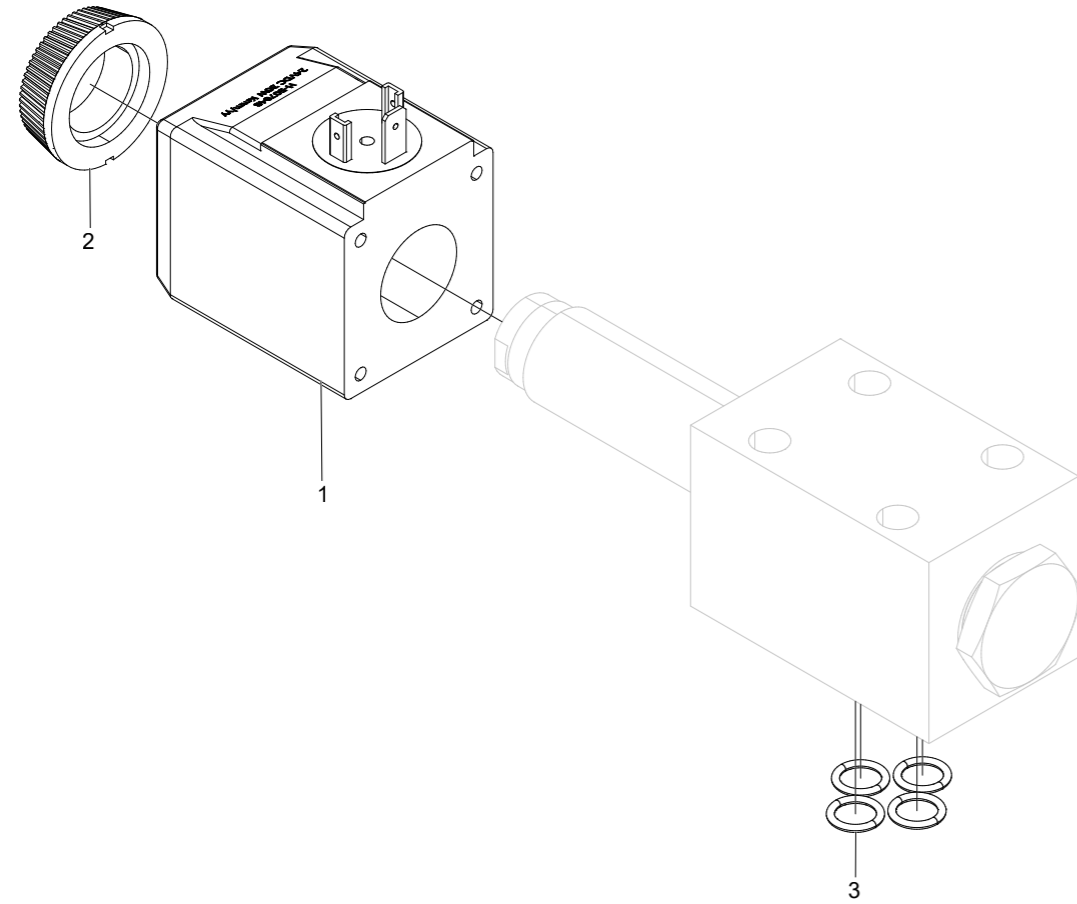
Structure 617033				
Pos.	Part no.	Quantity	Description	Specification
1	540043	1	O-ring	15,6x1,78

**Valve 24V**

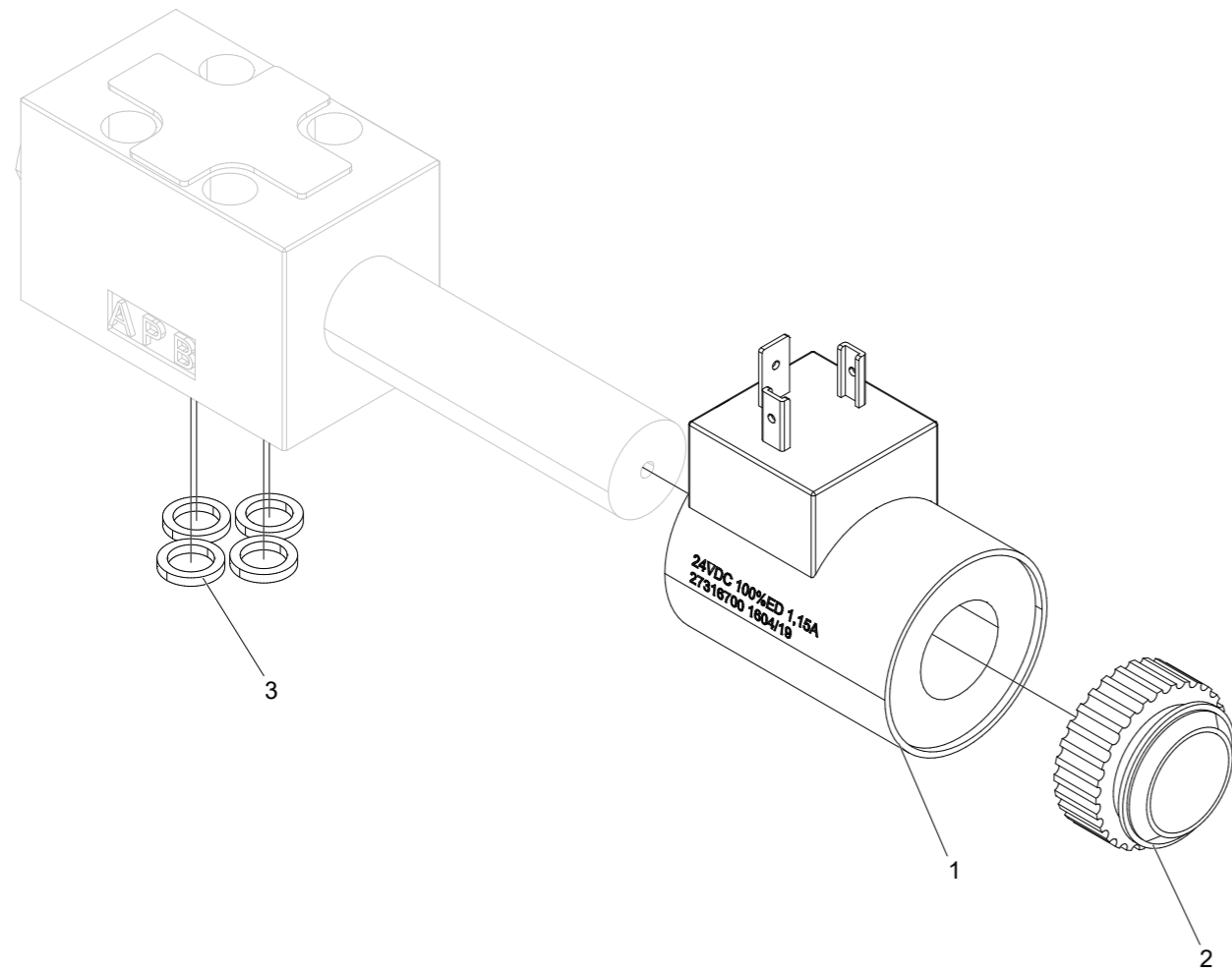
Structure 010278				
Pos.	Part no.	Quantity	Description	Specification
1	613002	2	Solenoide	24 V
2	613059	2	Plastic nut	
3	540006	4	O-ring	9,25x1,78

**Valve 24V**

Structure 010280				
Pos.	Part no.	Quantity	Description	Specification
1	613002	2	Solenoide	24V
2	613059	2	Plastic nut	
3	540006	4	O-ring	9,25x1,78

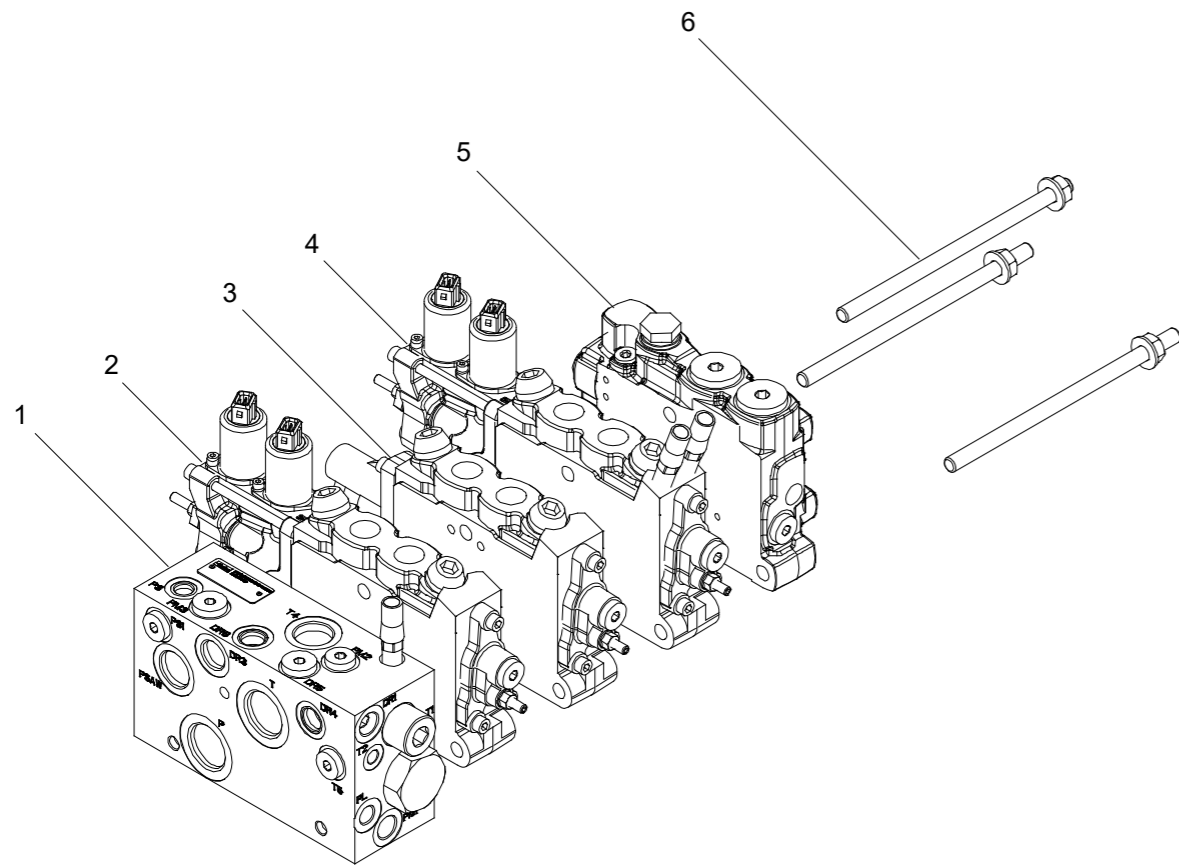
**Valve 24V**

Structure 011626				
Pos.	Part no.	Quantity	Description	Specification
1	613002	1	Solenoid	24V
2	613059	1	Plastic nut	
3	540006	4	O-ring	9,25x1,78



Valve 24V

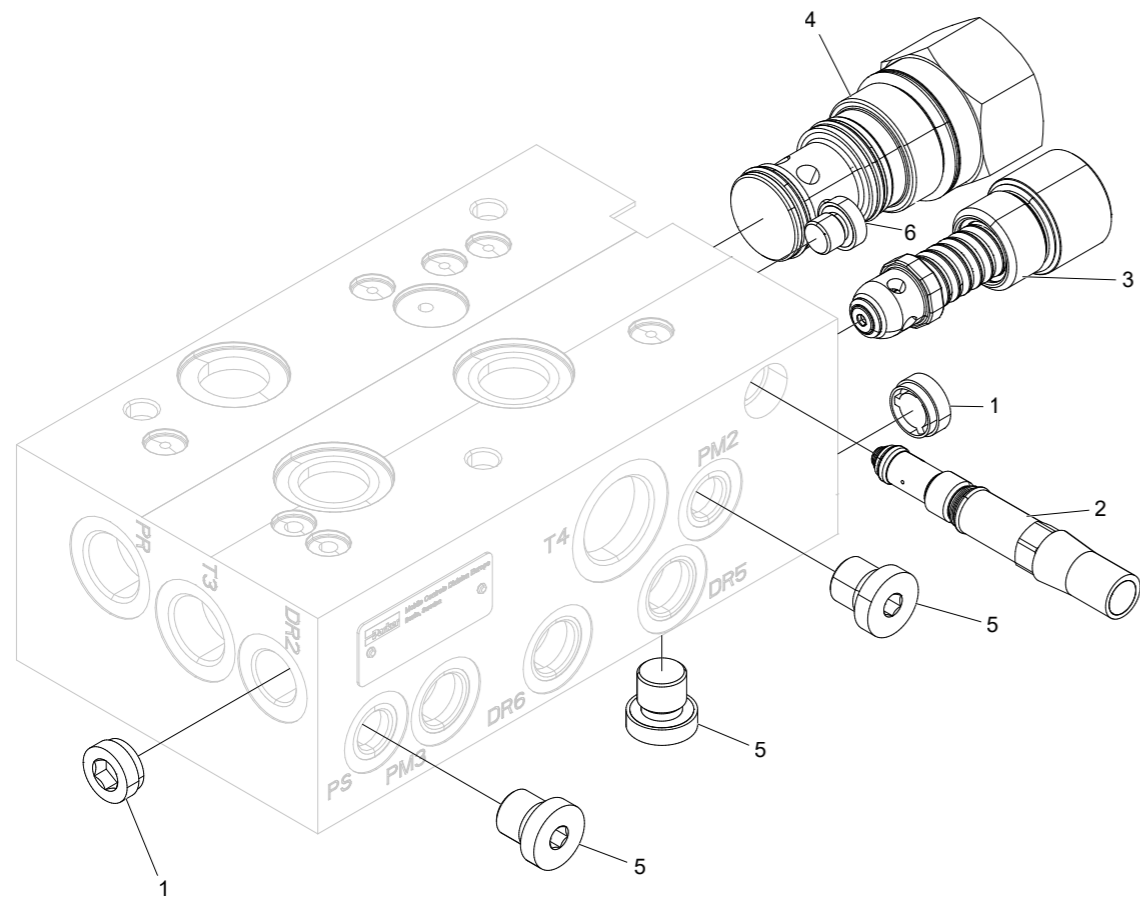
Structure 612057				
Pos.	Part no.	Quantity	Description	Specification
1	613069	1	Solenoide	24V
2	613105	1	Plastic nut	
3	540037	4	O-ring	7,65x1,68



07/139

Right manifold

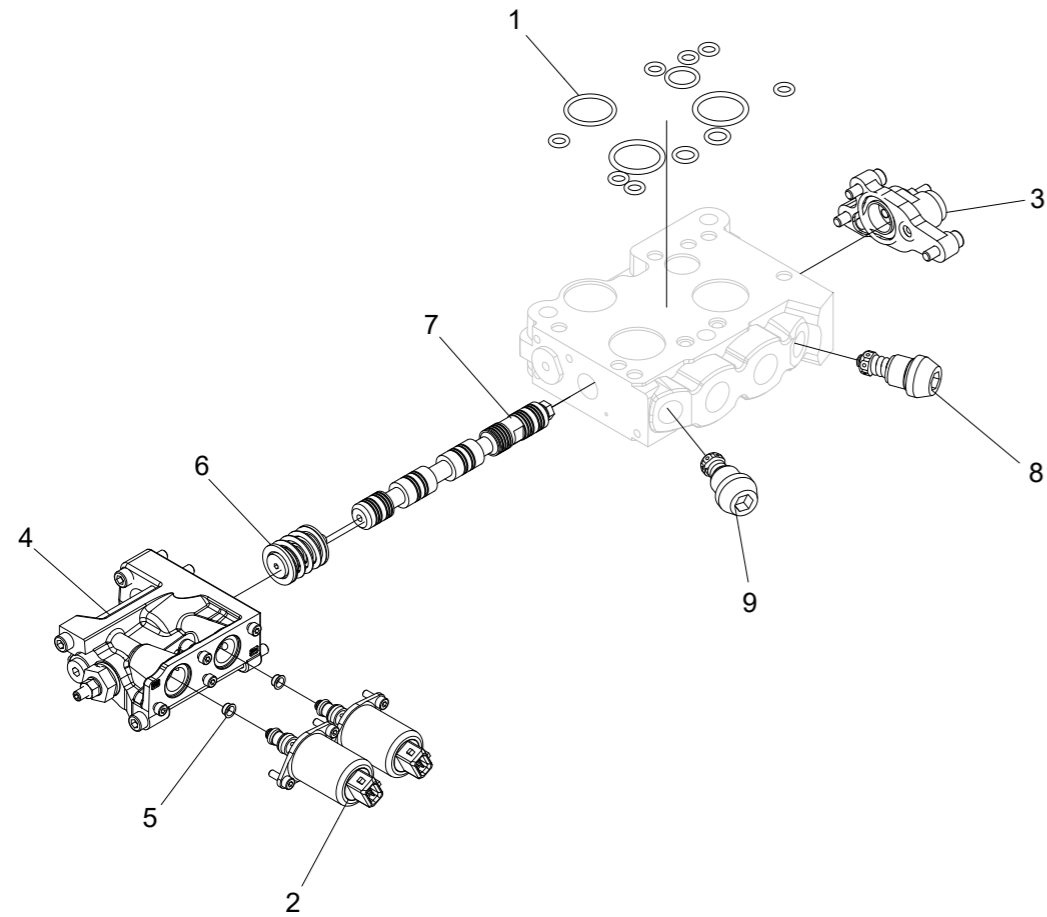
Structure 614018-01				
Pos.	Part no.	Quantity	Description	Specification
1	614116-04	1	Inlet manifold	S01
2	614115-03	1	Feed section	S02
3	614114-02	1	Feed section	S03
4	614111-02	1	Knife section	S04
5	614110-03	1	End section	S05
6	620581	1	Tie rod kit	L = 200 mm



Inlet manifold S01

Structure 614116-04				
Pos.	Part no.	Quantity	Description	Specification
1	617028	2	Check valve	
2	620397	1	Reducer valve	
3	611196	1	Relief valve	330 bar
4	620543	1	Reducer valve	
5	601001	3	Hex plug	1/4"
6	601000	1	Hex plug	1/8"

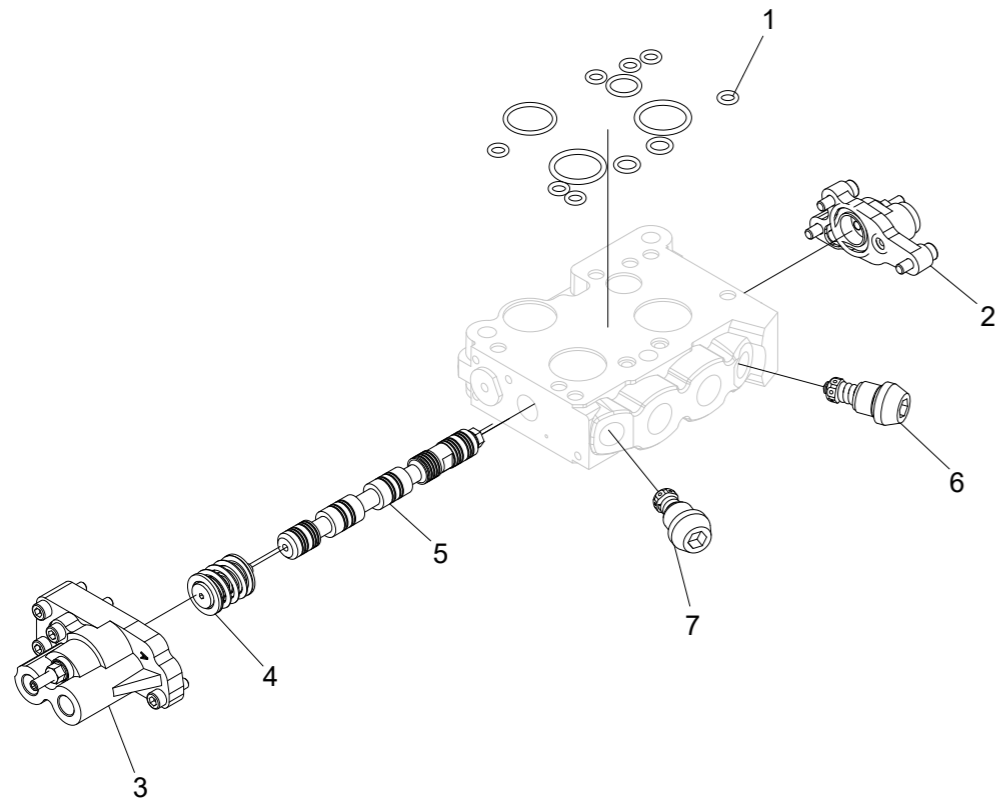
Feed section S02

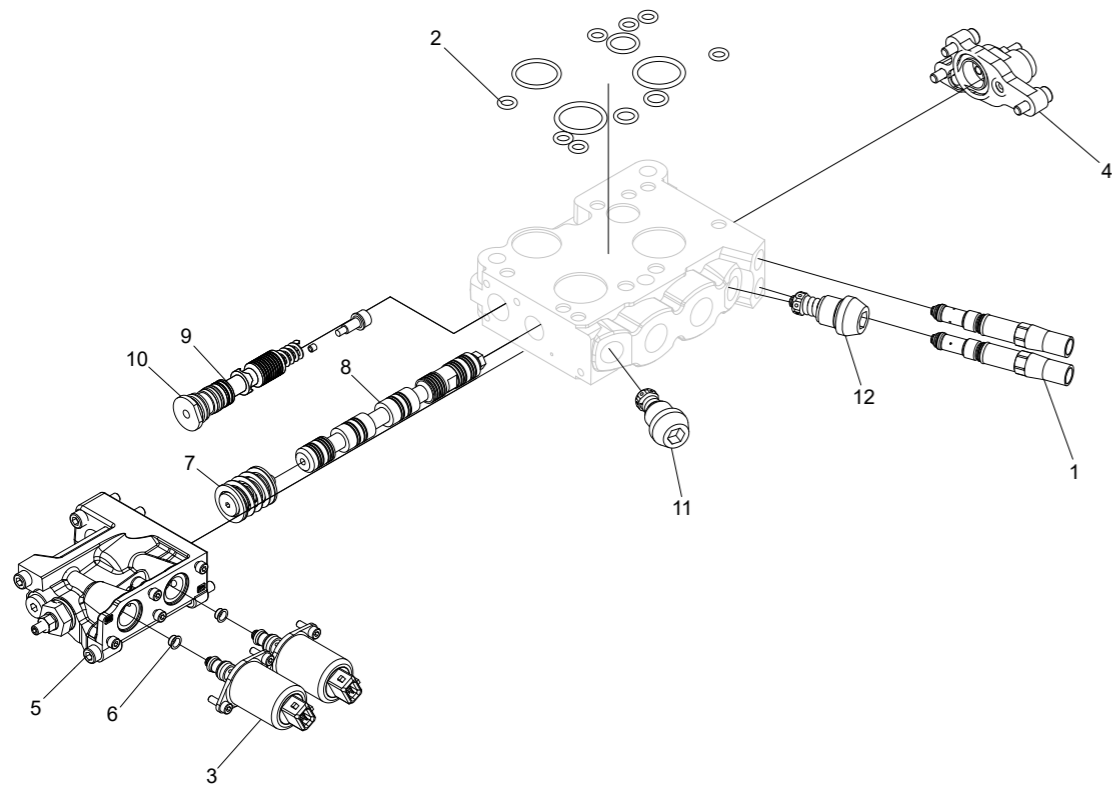


Structure 614115-03				
Pos.	Part no.	Quantity	Description	Specification
1	620377	1	Seal kit	
2	620590	2	Solenoid	
3	620390	1	Cap	
4	620342	1	Cap	
5	620345	2	Orifice	Ø1,2mm
6	620485	1	Spring	
7	620454	1	Spool	
8	620400	1	Relief valve	320 bar
9	620484	1	Relief valve	280 bar

Feed section S03

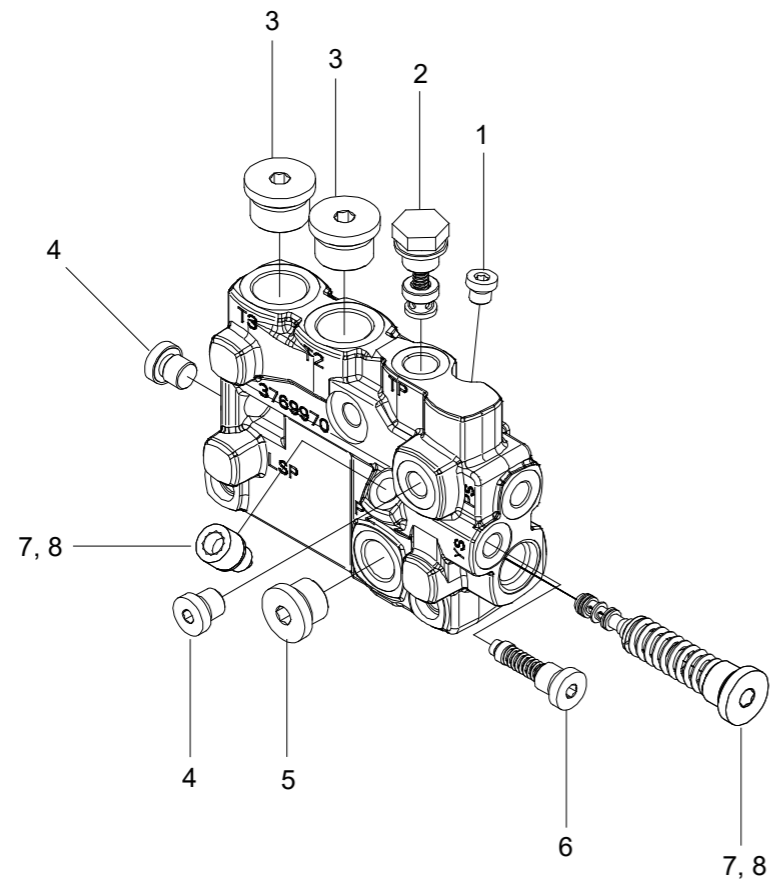
Structure 614114-02				
Pos.	Part no.	Quantity	Description	Specification
1	620377	1	Seal kit	
2	620390	1	Cap	
3	620391	1	Cap	
4	620485	1	Spring	
5	620454	1	Solenoid	
6	620400	1	Relief valve	320 bar
7	620484	1	Relief valve	280 bar





Knife section S04

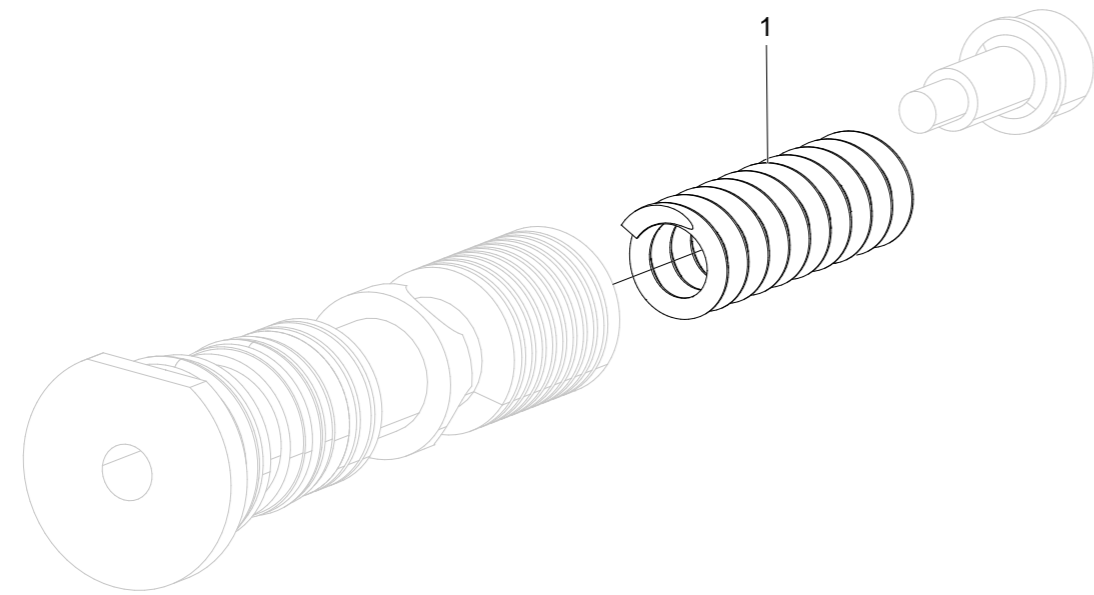
Structure 614111-02				
Pos.	Part no.	Quantity	Description	Specification
1	620397	2	Feed reducer	
2	620377	1	Seal kit	
3	620590	2	Solenoid	
4	620390	1	Cap	
5	620342	1	Cap	
6	620345	2	Orifice	Ø1,2mm
7	620392	1	Spring	
8	620444	1	Solenoid	
9	620510	1	Compensator	
10	620512	1	Compensator	
11	620399	1	Relief valve	125 bar
12	620407	1	Relief valve	190 bar



07/135

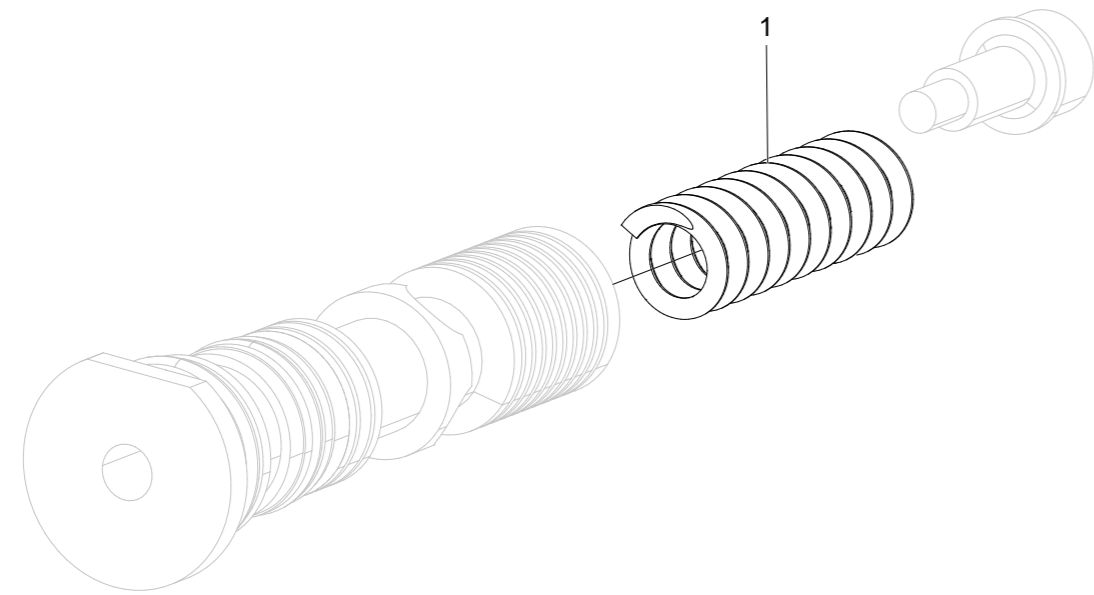
End section S05

Structure 614110-03				
Pos.	Part no.	Quantity	Description	Specification
1	601000	1	Hex plug	1/8" R
2	617070	1	Check valve kit	
3	601004	2	Hex plug	3/4" R
4	601001	2	Hex plug	1/4" R
5	601003	1	Hex plug	1/2" R
6	620426	1	Pilot filter compl.	
7	620417	1	Pilot reducer	35 bar
8	620418	1	Pilot reducer	35 bar



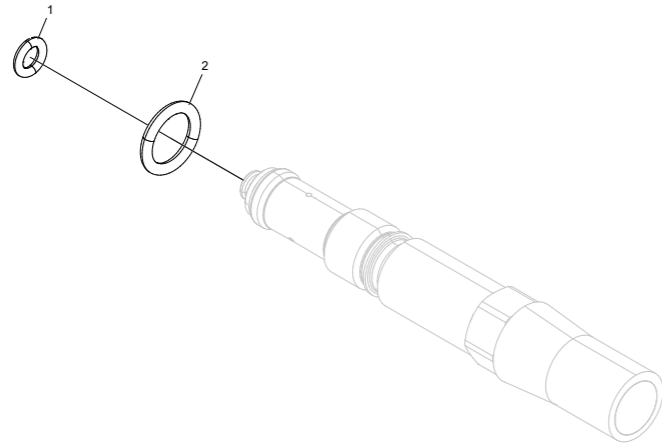
Compensator kit

Structure 620510				
Pos.	Part no.	Quantity	Description	Specification
1	620413	1	Compensator spring	K



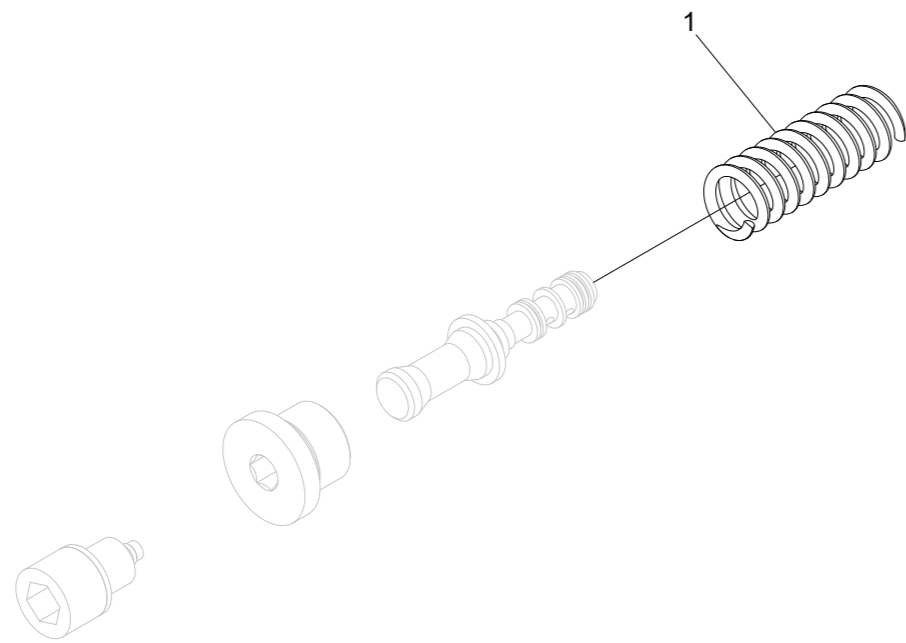
Compensator kit

Structure 620512				
Pos.	Part no.	Quantity	Description	Specification
1	620413	1	Compensator spring	K

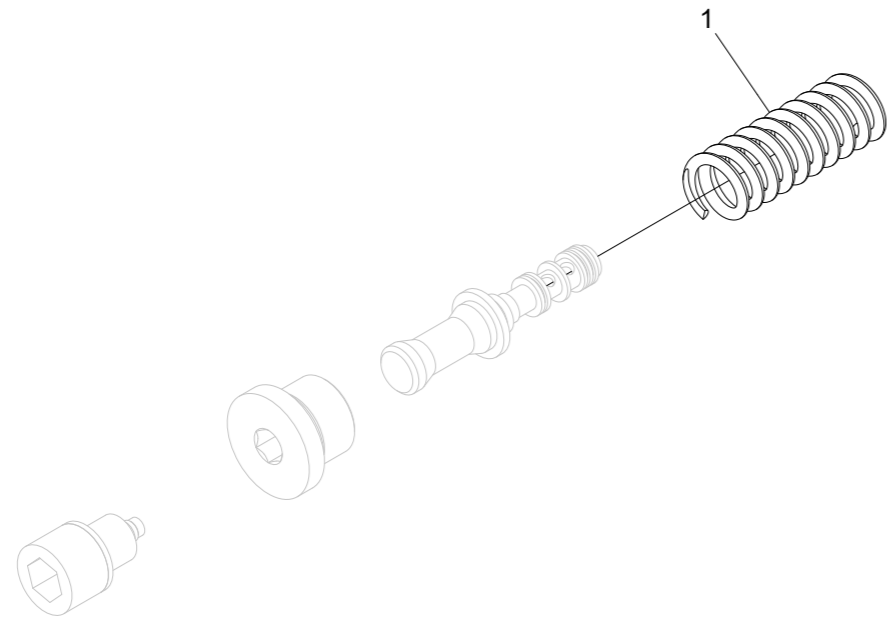


Feed reducer

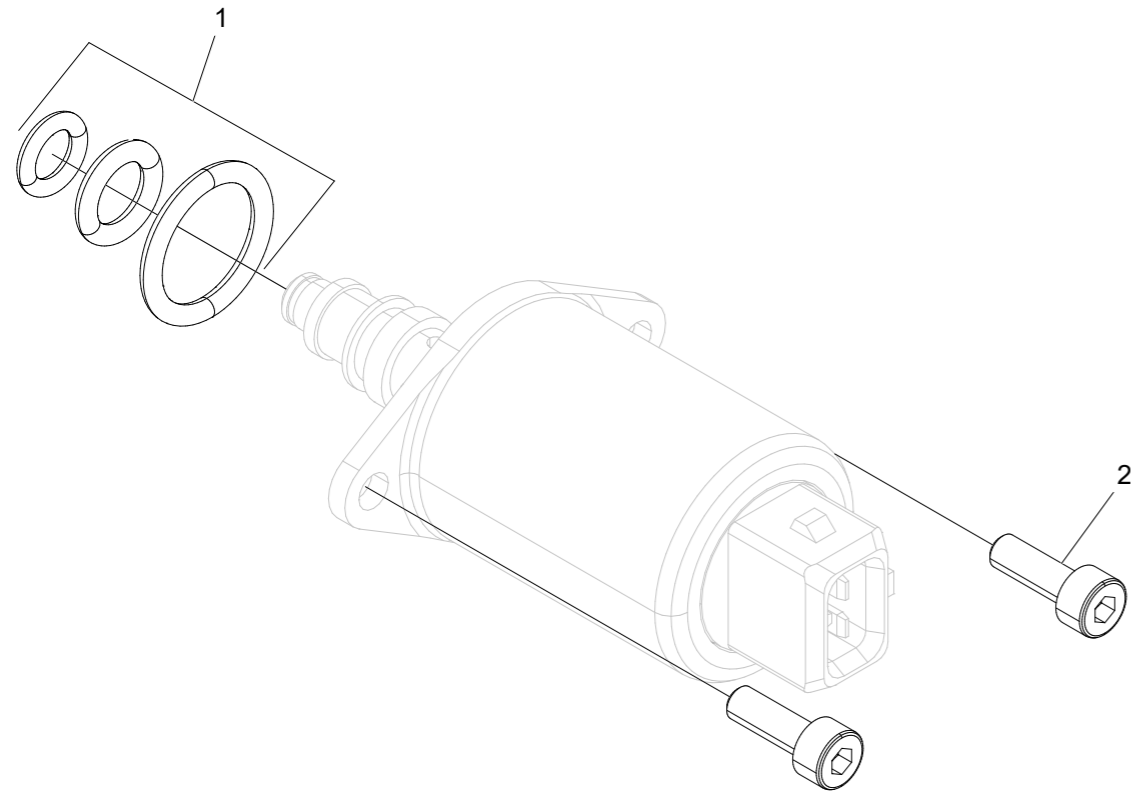
Structure 620397				
Pos.	Part no.	Quantity	Description	Specification
1	540001	1	O-ring	4,1x1,6
2	543022	1	O-ring	9,5x2,0

**Pilot reducer**

Structure 620417				
Pos.	Part no.	Quantity	Description	Specification
1	620425	1	Spring	35 bar

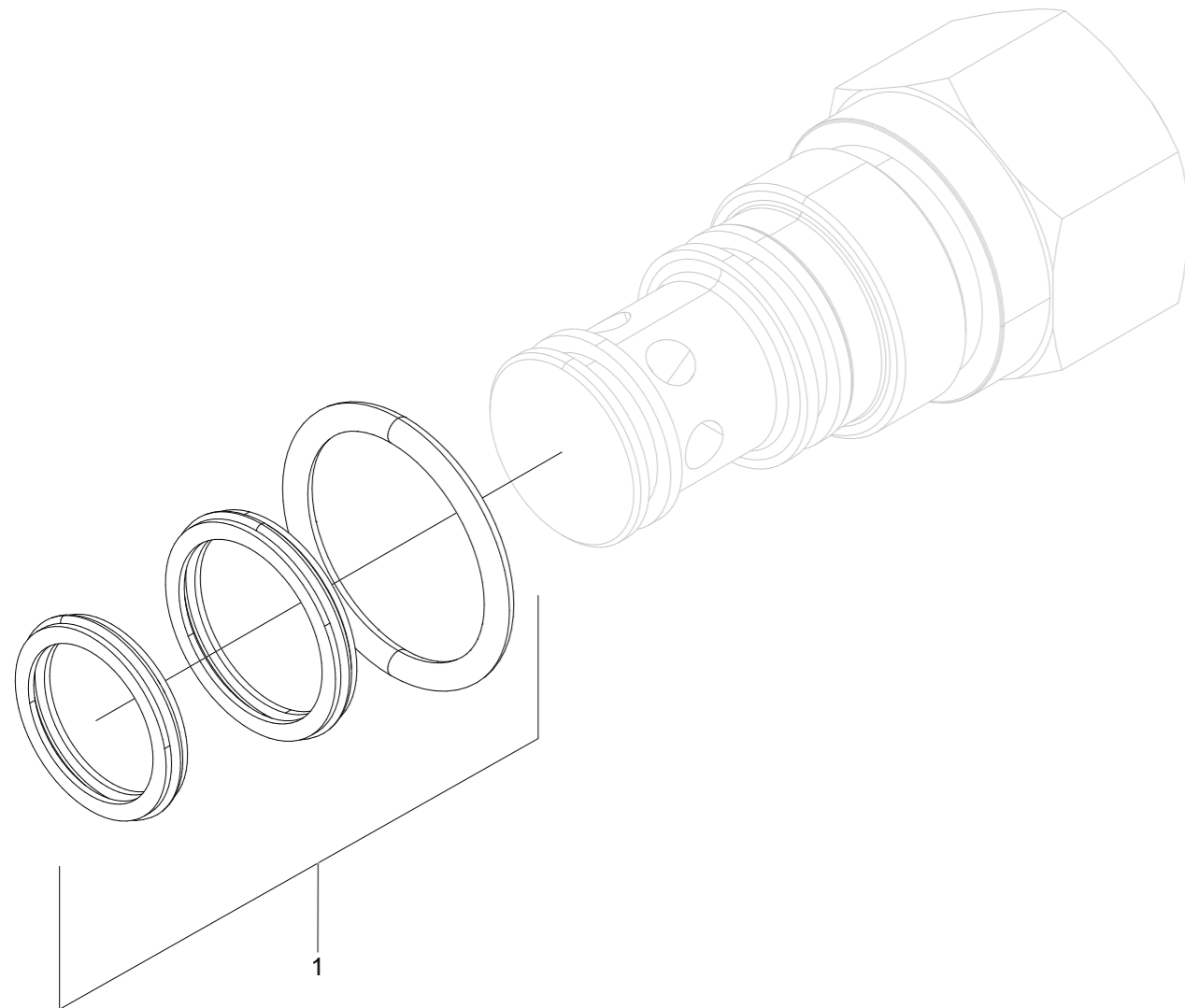
**Pilot reducer**

Structure 620418				
Pos.	Part no.	Quantity	Description	Specification
1	620425	1	Spring	35 bar



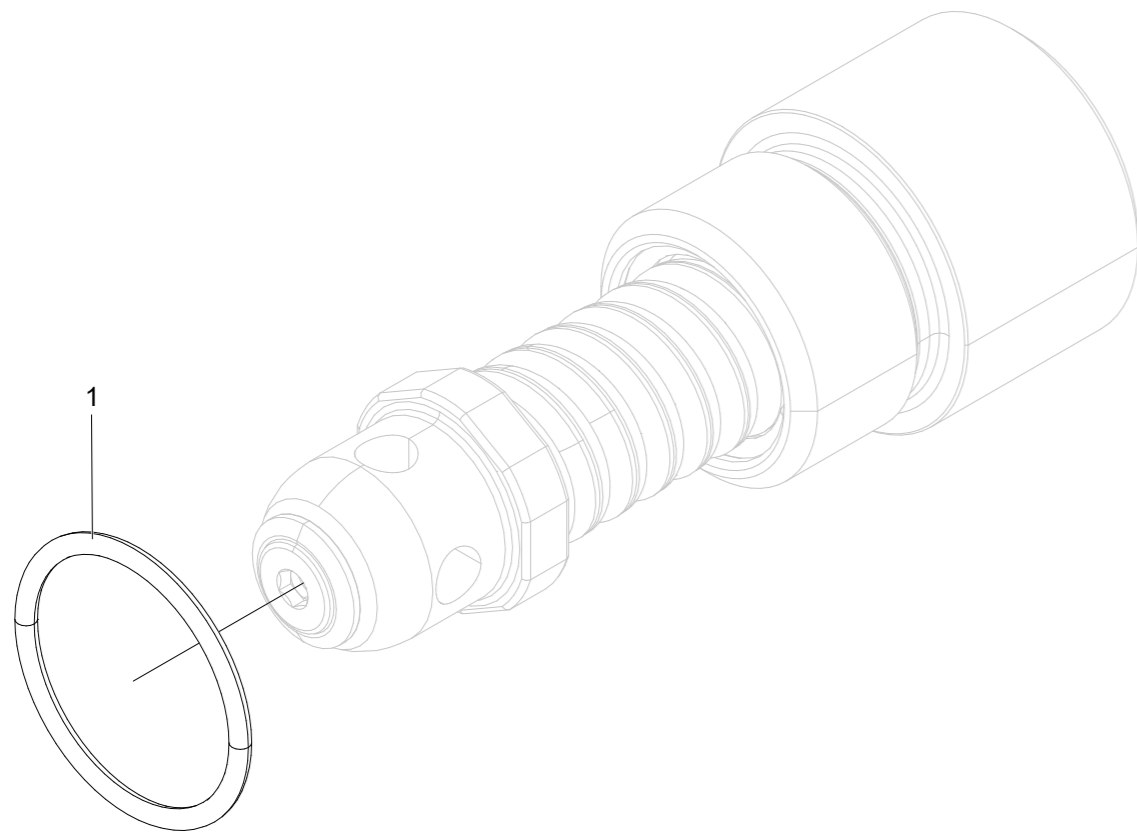
Pilot valve

Structure 620590				
Pos.	Part no.	Quantity	Description	Specification
1	620344	1	Seal kit	
2	501014	1	Screw	M4x12 12.9



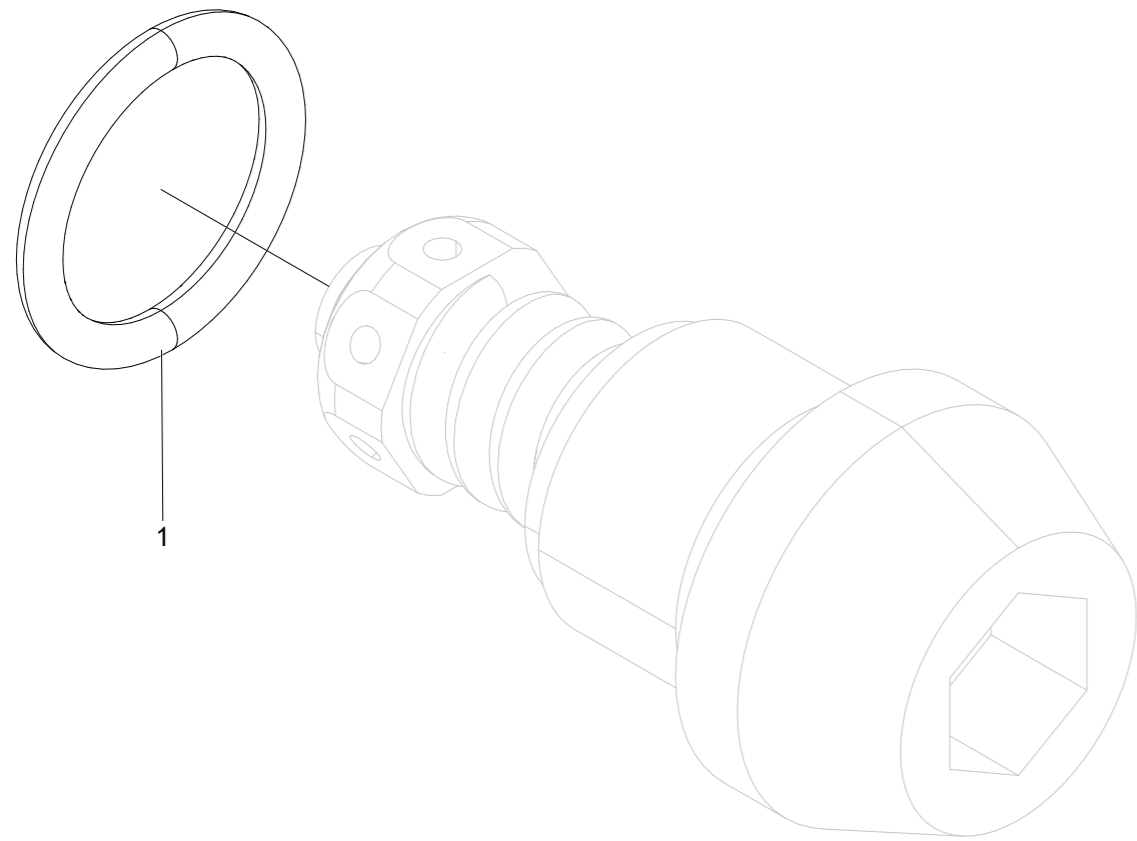
Reducer valve

Structure 620543				
Pos.	Part no.	Quantity	Description	Specification
1	611309	1	Seal kit	

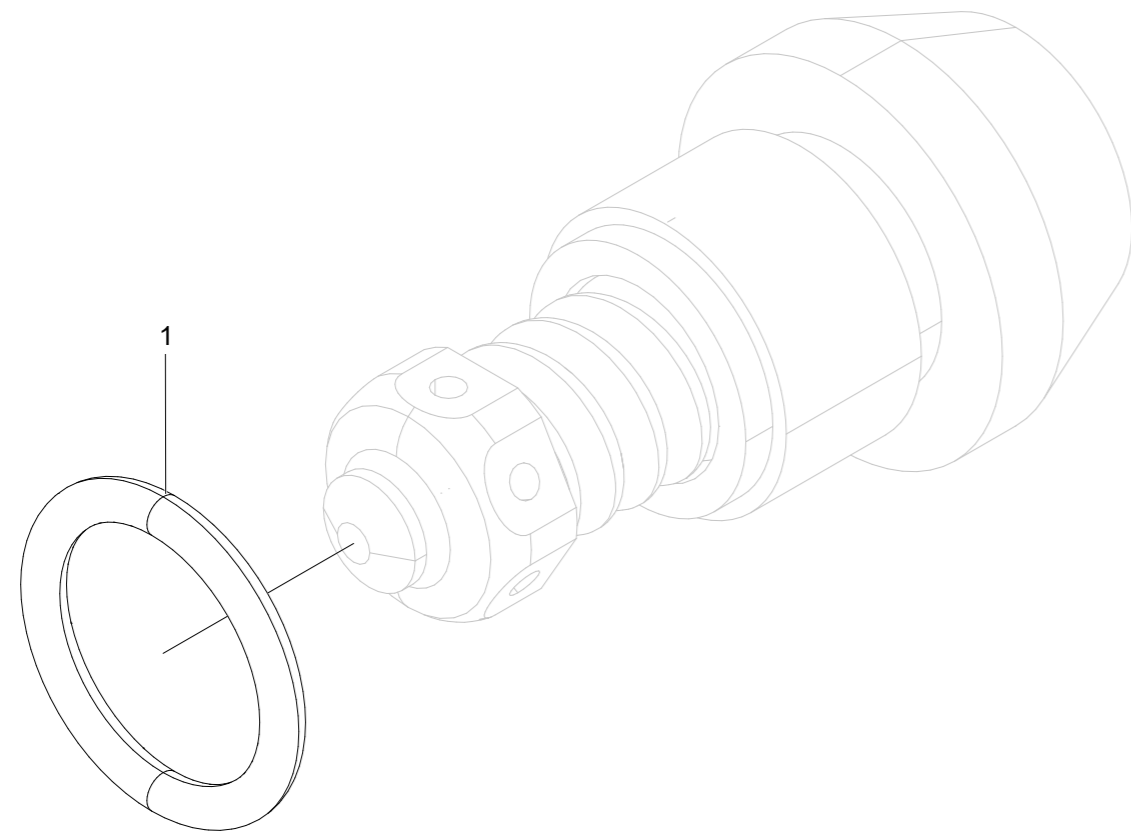


Relief valve

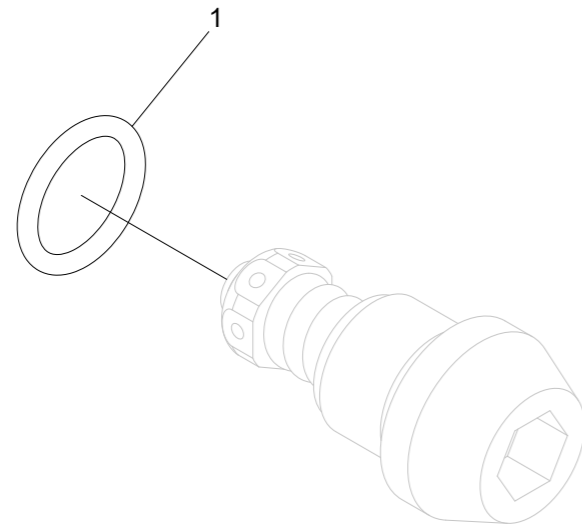
Structure 611196				
Pos.	Part no.	Quantity	Description	Specification
1	540047	1	O-ring	21,95x1,78

**Relief valve 125 bar**

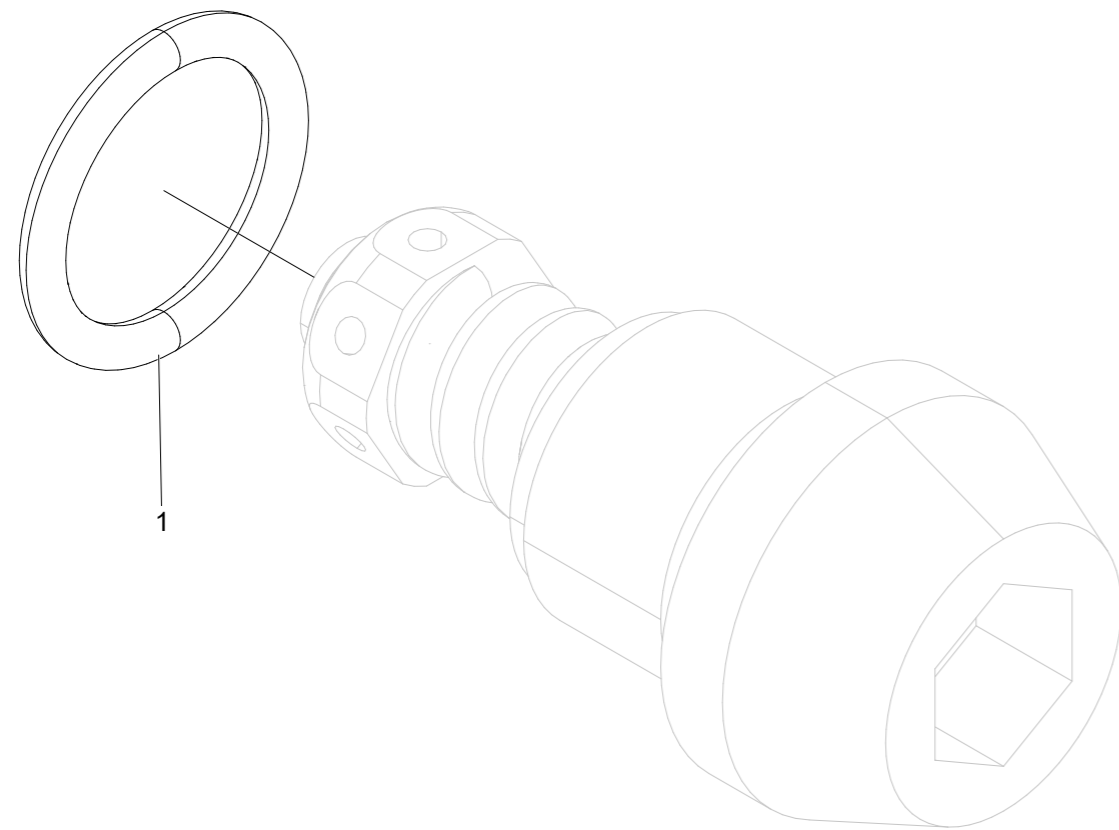
Structure 620399				
Pos.	Part no.	Quantity	Description	Specification
1	540072	1	O-ring	15,3x2,4

**Relief valve 320 bar**

Structure 620400				
Pos.	Part no.	Quantity	Description	Specification
1	540072	1	O-ring	15,3x2,4

**Relief valve 190 bar**

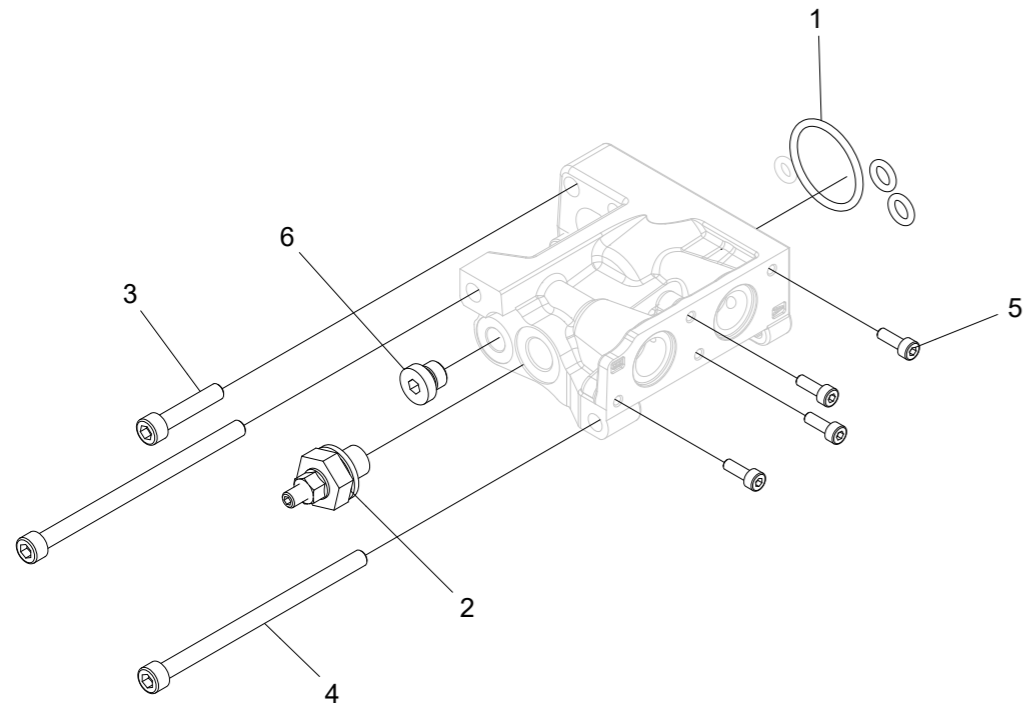
Structure 620407				
Pos.	Part no.	Quantity	Description	Specification
1	540072	1	O-ring	15,3x2,4

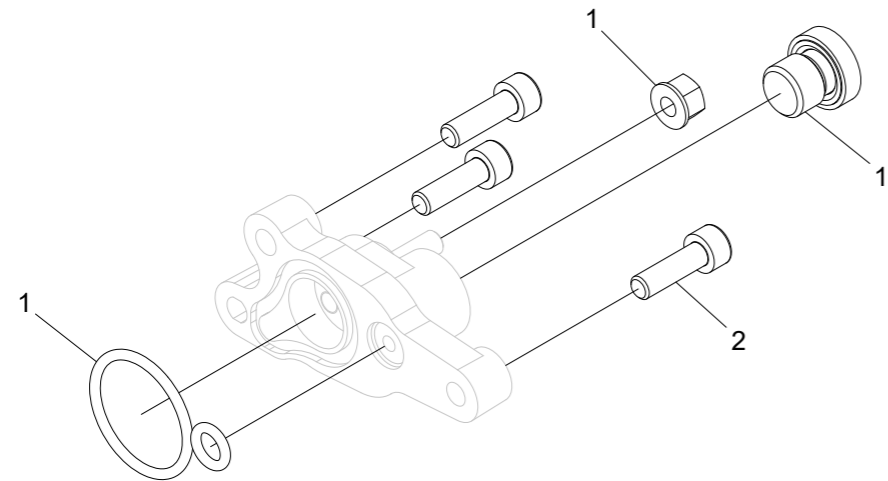
**Relief valve 280 bar**

Structure 620484				
Pos.	Part no.	Quantity	Description	Specification
1	540072	1	O-ring	15,3x2,4

Cap

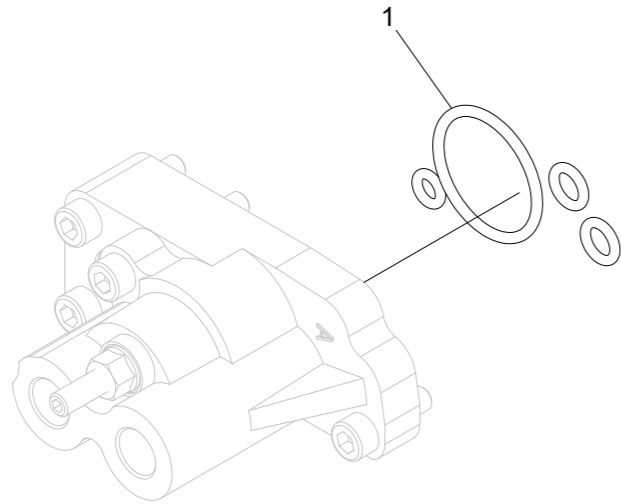
Structure 620342				
Pos.	Part no.	Quantity	Description	Specification
1	620379	1	Seal kit	
2	620446	1	Spool limiter kit	
3	501049	2	Screw	M6x30 12.9
4	501061	2	Screw	M6x100 12.9
5	501014	4	Screw	M4x12 12.9
6	601000	1	Hex plug	1/8"





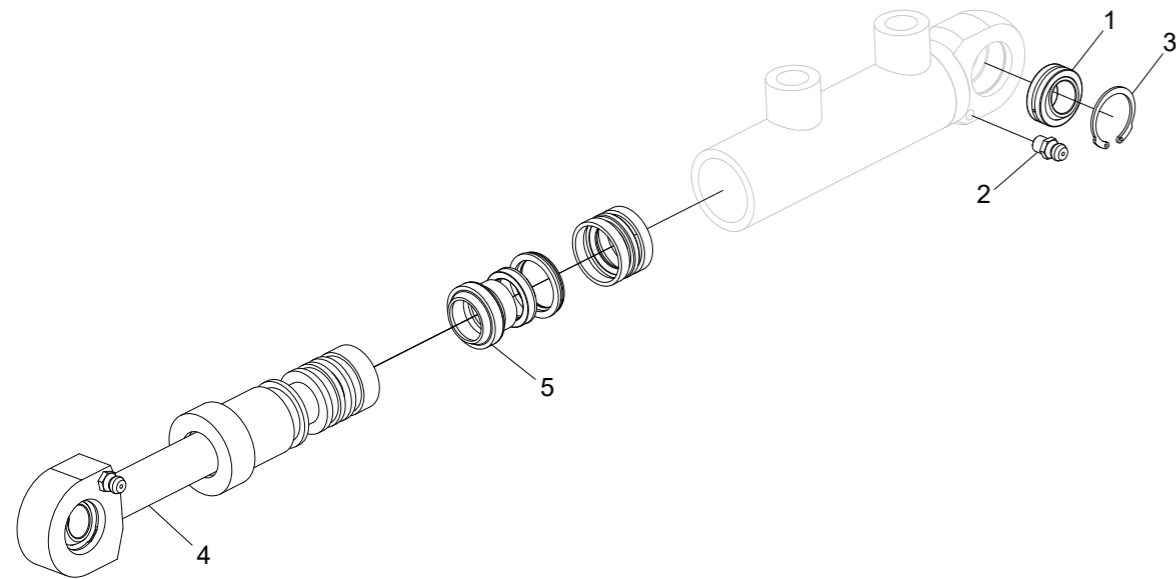
Cap

Structure 620390				
Pos.	Part no.	Quantity	Description	Specification
1	620383	1	Seal kit	
2	501046	3	Screw	M6x20 12.9



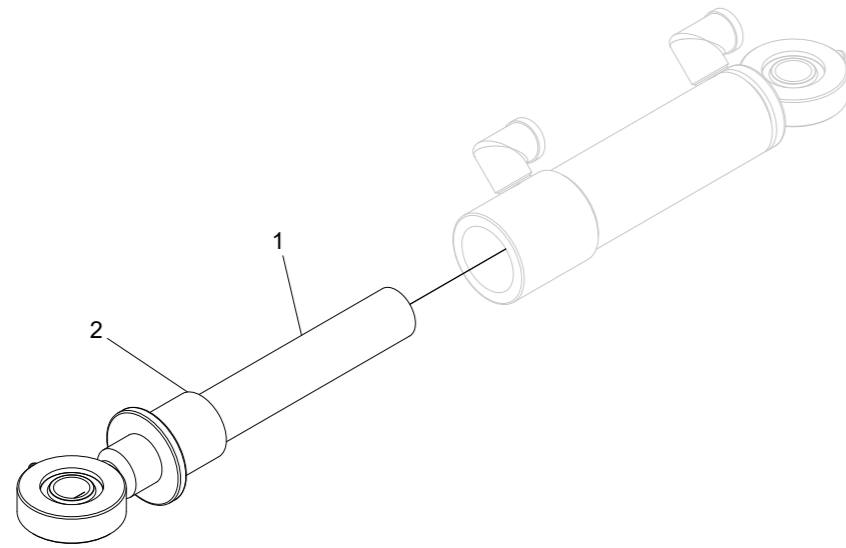
Cap

Structure 620391				
Pos.	Part no.	Quantity	Description	Specification
1	620379	1	Seal kit	



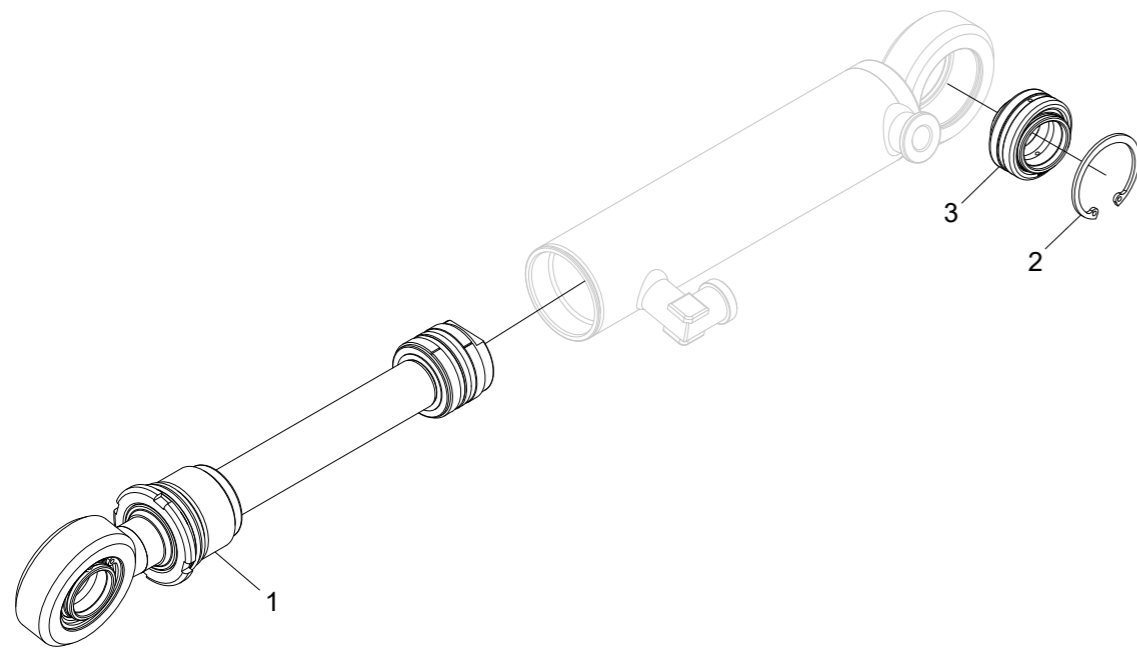
Hydraulic cylinder

Structure 015462				
Pos.	Part no.	Quantity	Description	Specification
1	015220	1	Spherical bushing	GE12
2	625004	1	Grease nipple	M6
3	517214	1	Circlip	JV 22
4	620060-KIT	1	Rod kit	
5	620003	1	Seal kit	



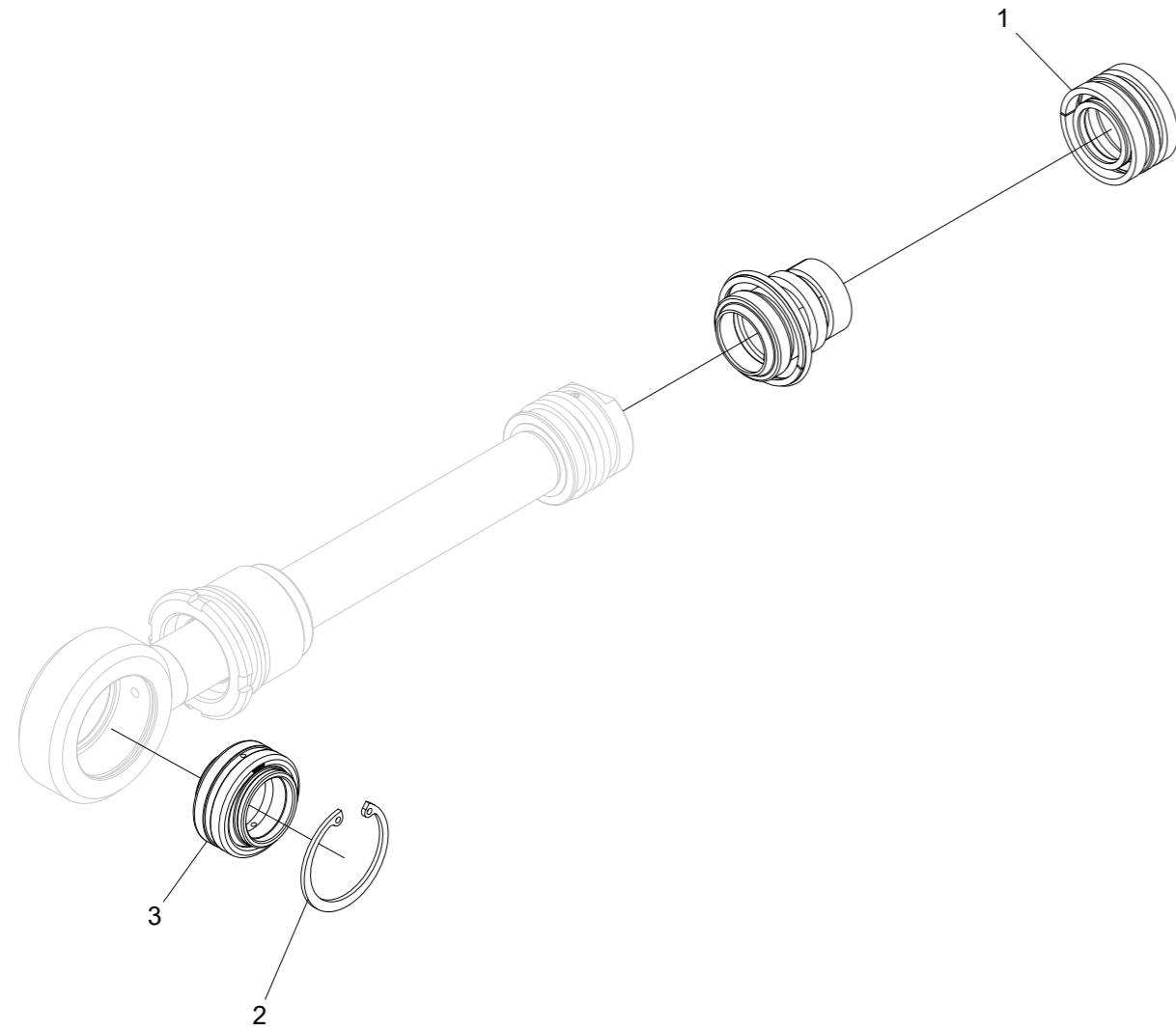
Hydraulic cylinder

Structure 017909				
Pos.	Part no.	Quantity	Description	Specification
1	620105	1	Seal kit	
2	620634-KIT	1	Tie rod kit	

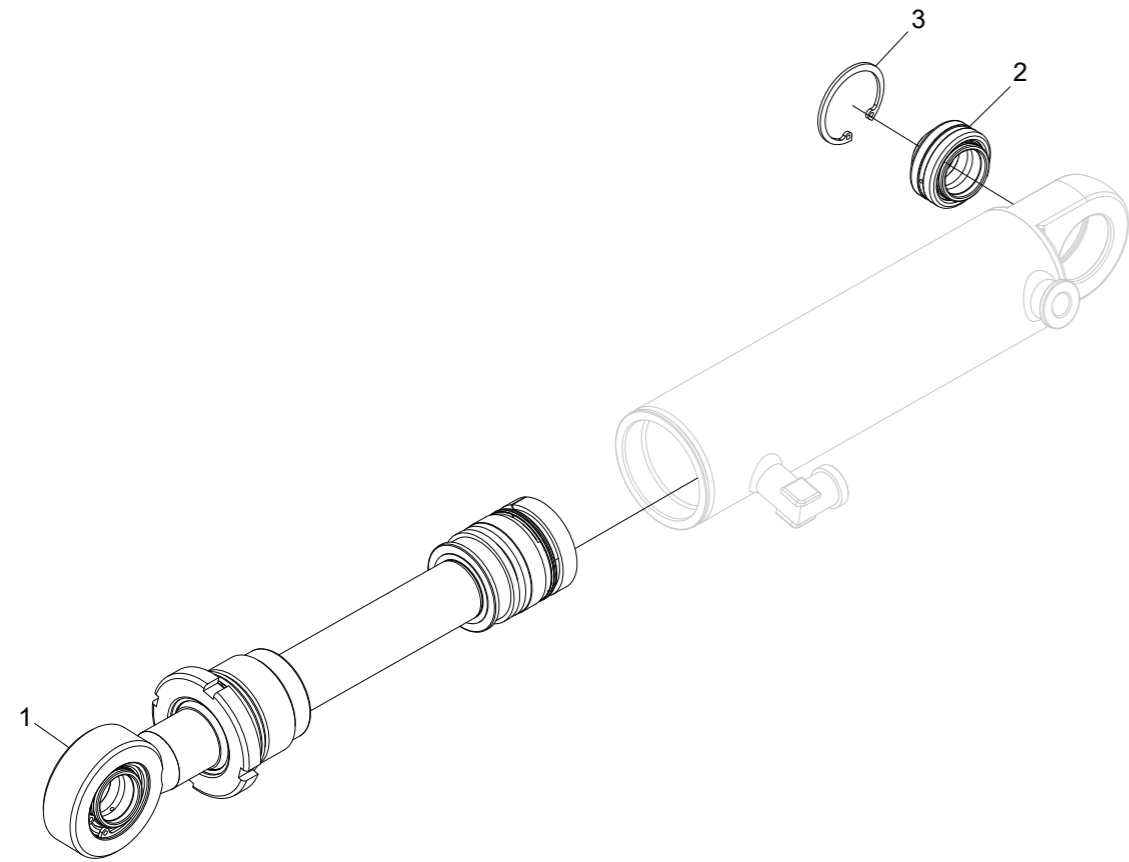


Hydraulic cylinder

Structure 019006				
Pos.	Part no.	Quantity	Description	Specification
1	10000853	1	Rod kit	
2	517236	1	Circlip	SGH 42
3	10000240	1		GE25LO

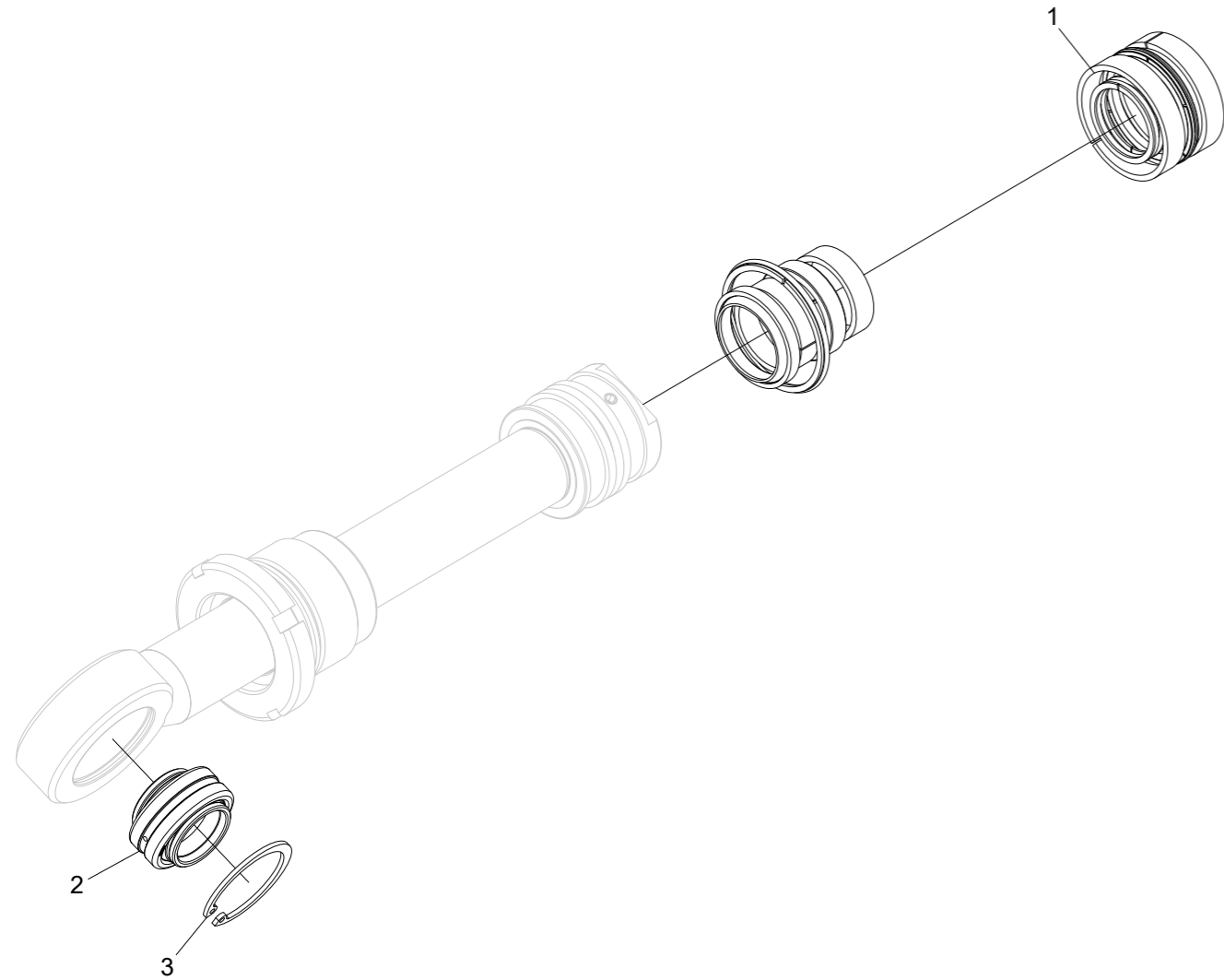
**Rod kit**

Structure 10000843				
Pos.	Part no.	Quantity	Description	Specification
1	10000842	1	Seal kit	
2	517236	1	Circlip	SGH 42
3	10000240	1	Spherical bushing	GE25LO



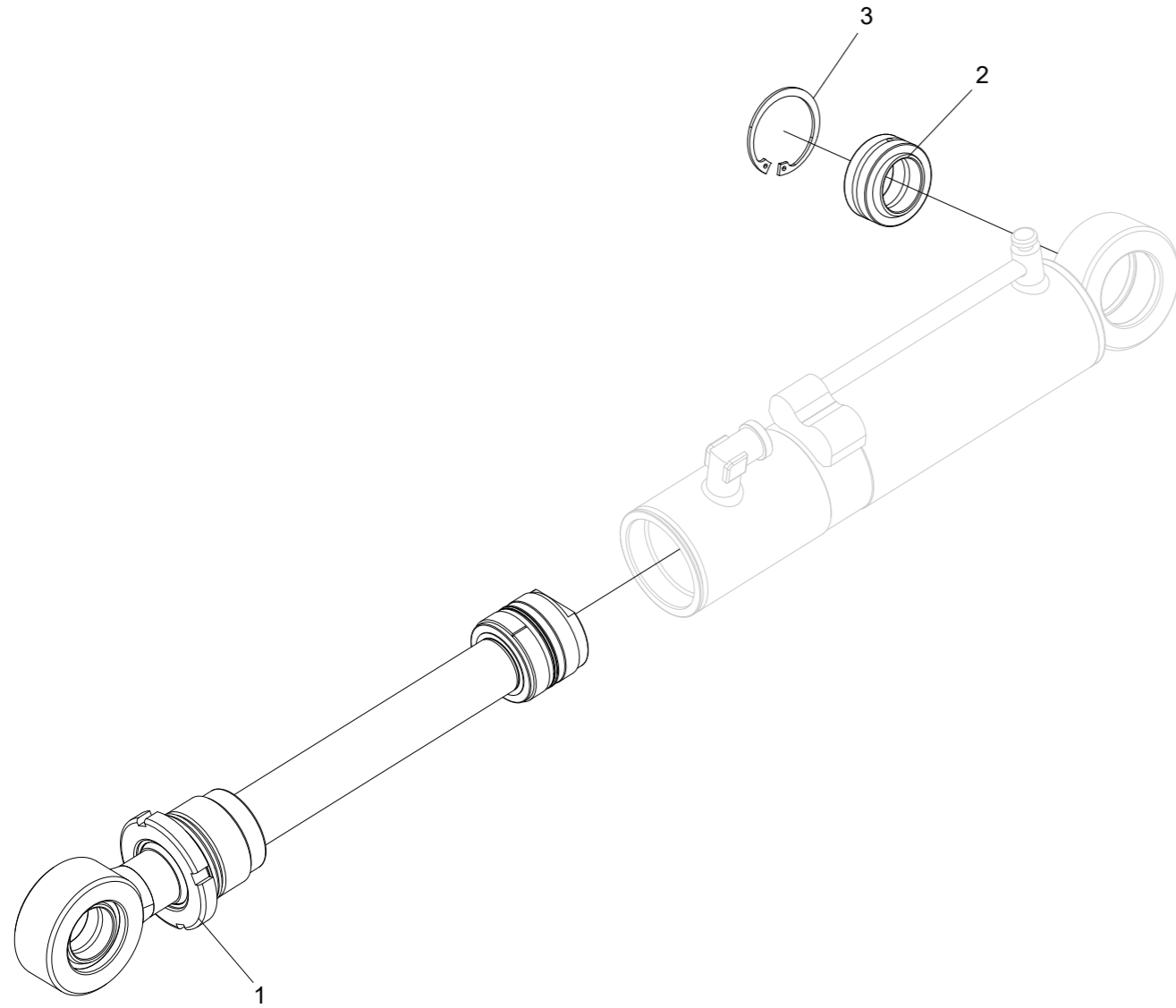
Hydraulic cylinder

Structure 018986				
Pos.	Part no.	Quantity	Description	Specification
1	10000242	1	Rod kit	
2	10000240	1	Spherical bushing	GE25LO
3	517236	1	Circlip	SGH 42



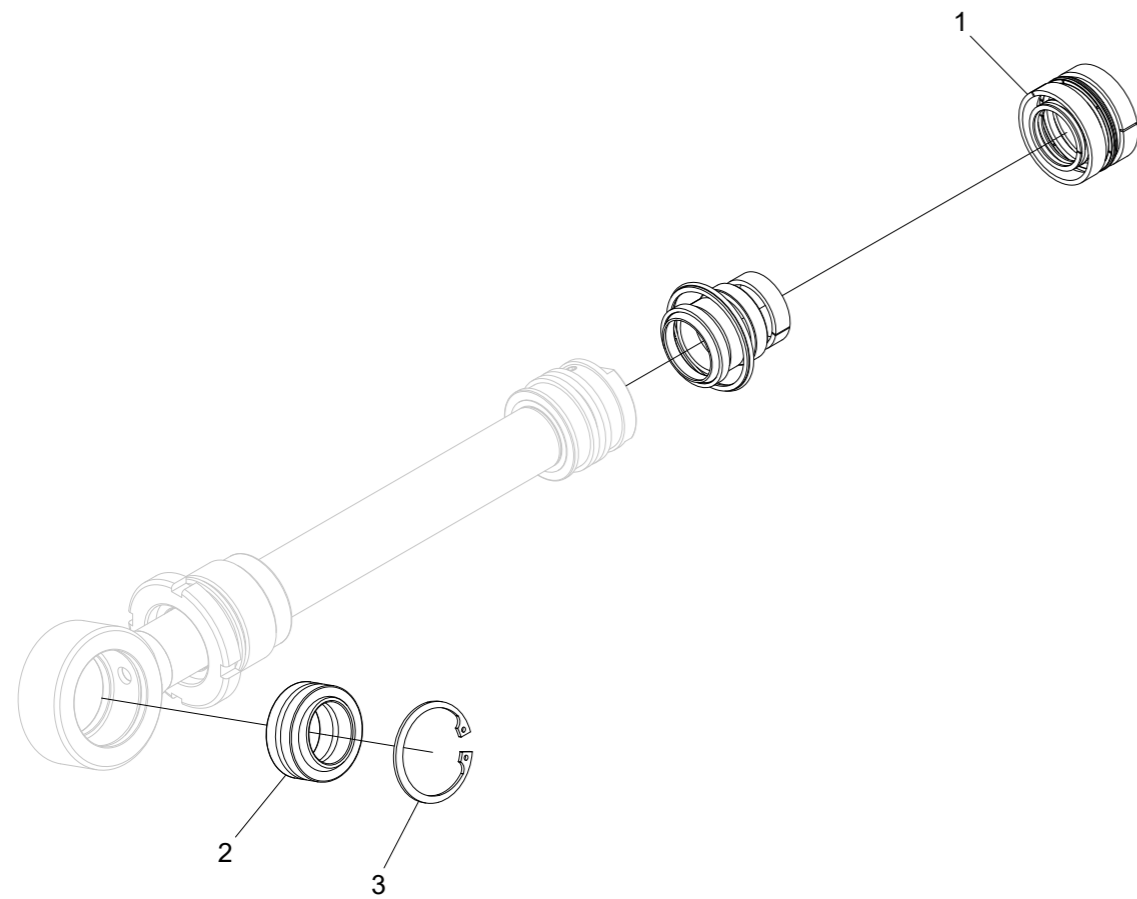
Rod kit

Structure 10000242				
Pos.	Part no.	Quantity	Description	Specification
1	10000241	1	Seal kit	
2	10000240	1	Spherical bushing	GE25LO
3	517236	1	Circlip	SGH 42

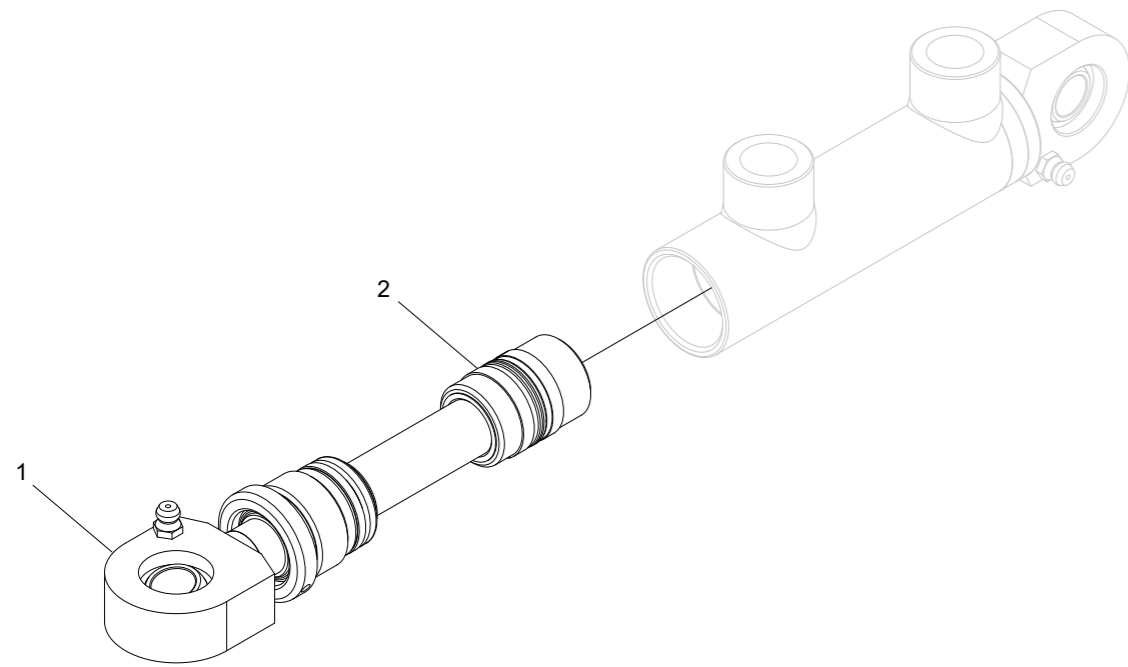


Hydraulic cylinder

Structure 018995				
Pos.	Part no.	Quantity	Description	Specification
1	10000261	1	Rod kit	
2	510008	1	Spherical bushing	GE30-ES
3	517240	1	Circlip	SGH 47

**Rod kit**

Structure 10000261				
Pos.	Part no.	Quantity	Description	Specification
1	10000241	1	Seal kit	
2	510008	1	Spherical bushing	GE30-ES
3	517240	1	Circlip	SGH 47

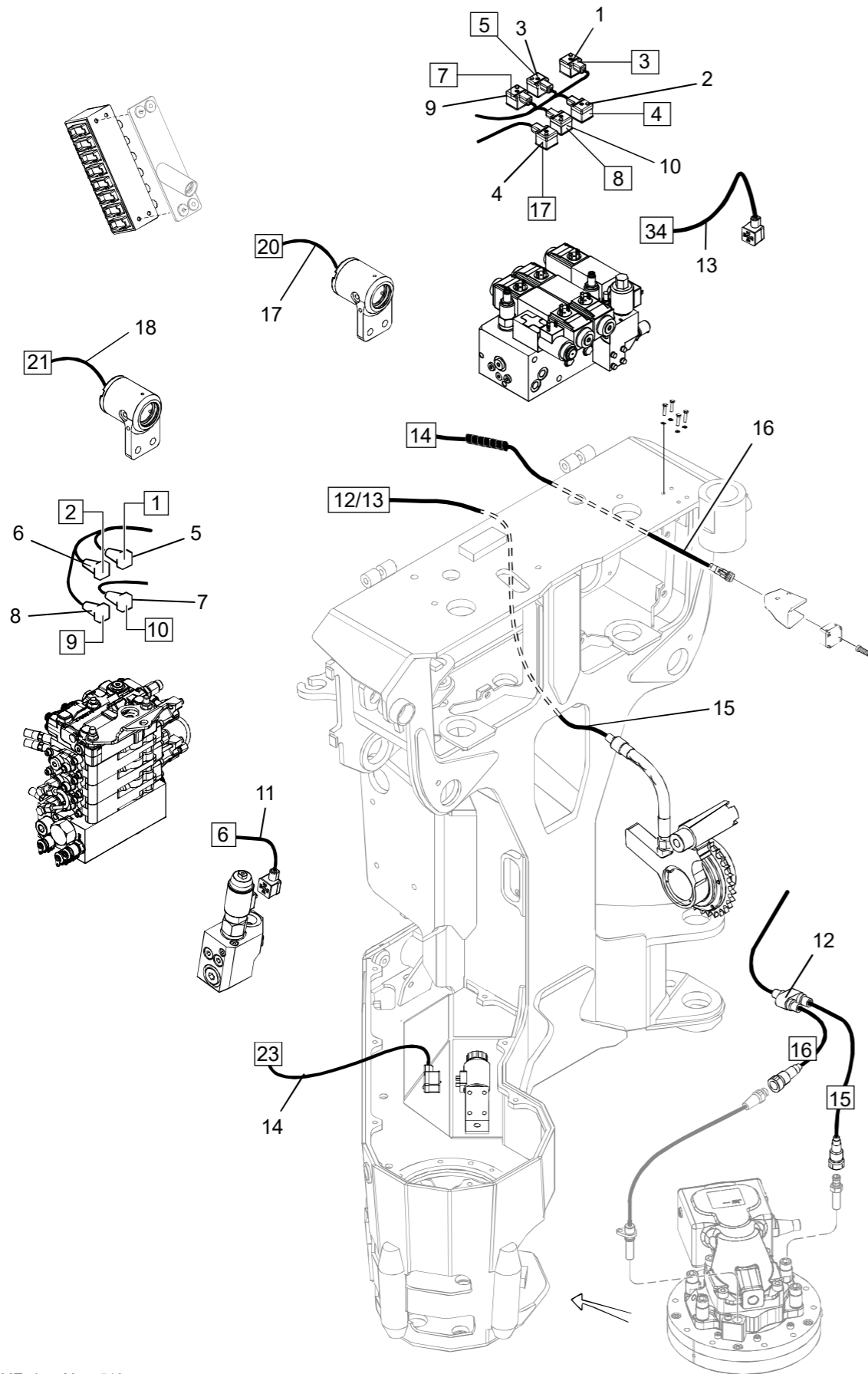


Hydraulic cylinder

Structure 018870				
Pos.	Part no.	Quantity	Description	Specification
1	10000366	1	Tie rod kit	
2	620004	1	Seal kit	

Control system

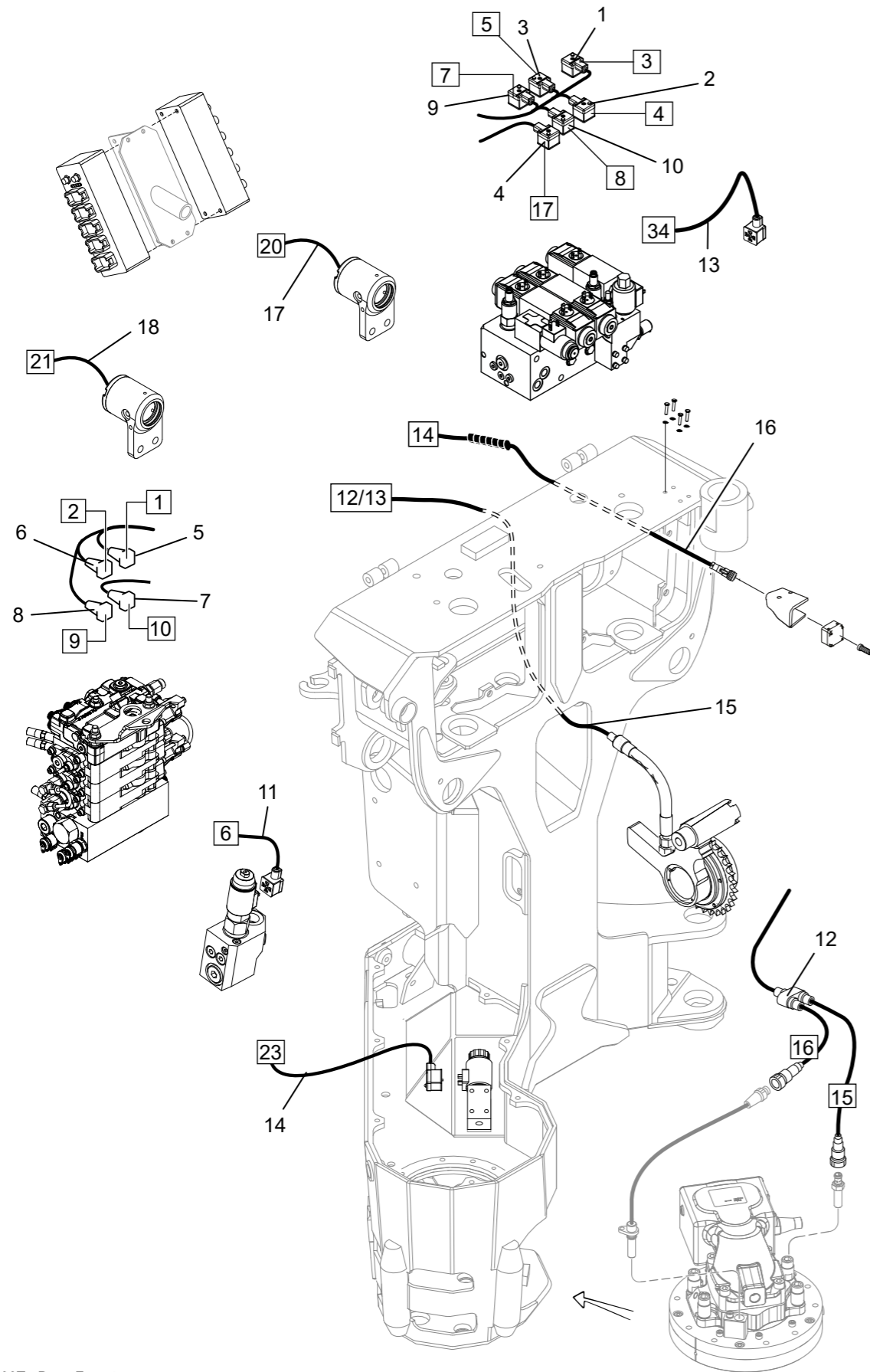
Log Mate 510 #2



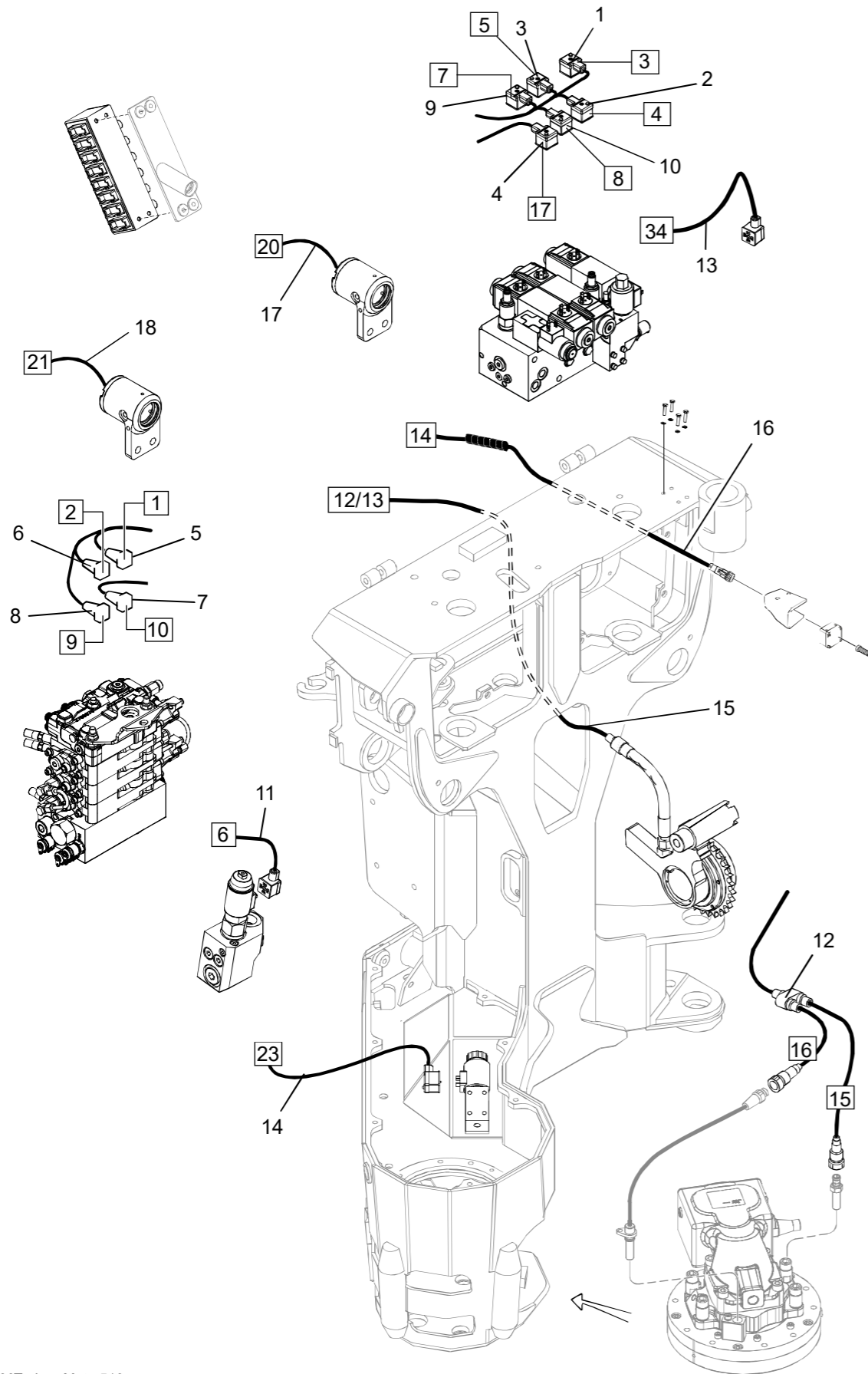
Structure 036463-KABEL				
Pos.	Part no.	Quantity	Description	Specification
1	401232	1	Cable	"3"
2	401232	1	Cable	"4"
3	401232	1	Cable	"5"
4	401232	1	Cable	"17"
5	401296	1	Cable	"1"
6	401296	1	Cable	"2"
7	401296	1	Cable	"10"
8	401296	1	Cable	"9"
9	401232	1	Cable	"7"
10	401232	1	Cable	"8"
11	401232	1	Cable	"6"
12	017324	1	Cable	"15/16"
13	401232	1	Cable	"34"
14	401232	1	Cable	"23"
15	402580	1	Cable	"12/13"
16	402551	1	Cable	"14"
17	402573	1	Cable	"20"
18	402573	1	Cable	"21"

Dasa forester #2

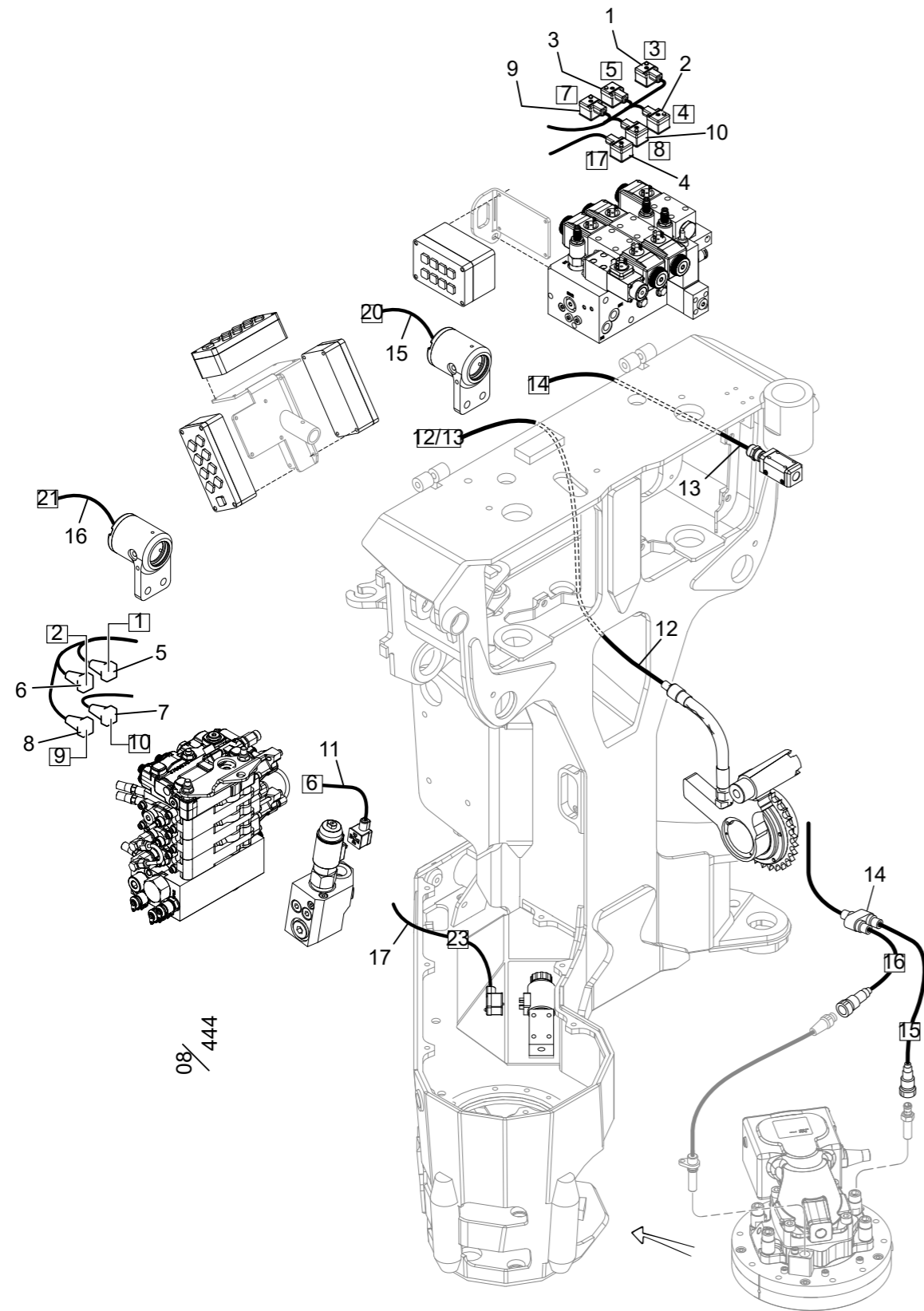
Structure				
034665-KABEL				
Pos.	Part no.	Quantity	Description	Specification
1	401232	1	Cable	"3"
2	401232	1	Cable	"4"
3	401232	1	Cable	"5"
4	401232	1	Cable	"17"
5	401296	1	Cable	"1"
6	401296	1	Cable	"2"
7	401296	1	Cable	"10"
8	401296	1	Cable	"9"
9	401232	1	Cable	"7"
10	401232	1	Cable	"8"
11	401232	1	Cable	"6"
12	017324	1	Cable	"15/16"
13	401232	1	Cable	"34"
14	401232	1	Cable	"23"
15	401025	1	Cable	"12/13"
16	402554	1	Cable	"14"
17	402573	1	Cable	"20"
18	402573	1	Cable	"21"



Log Mate 500

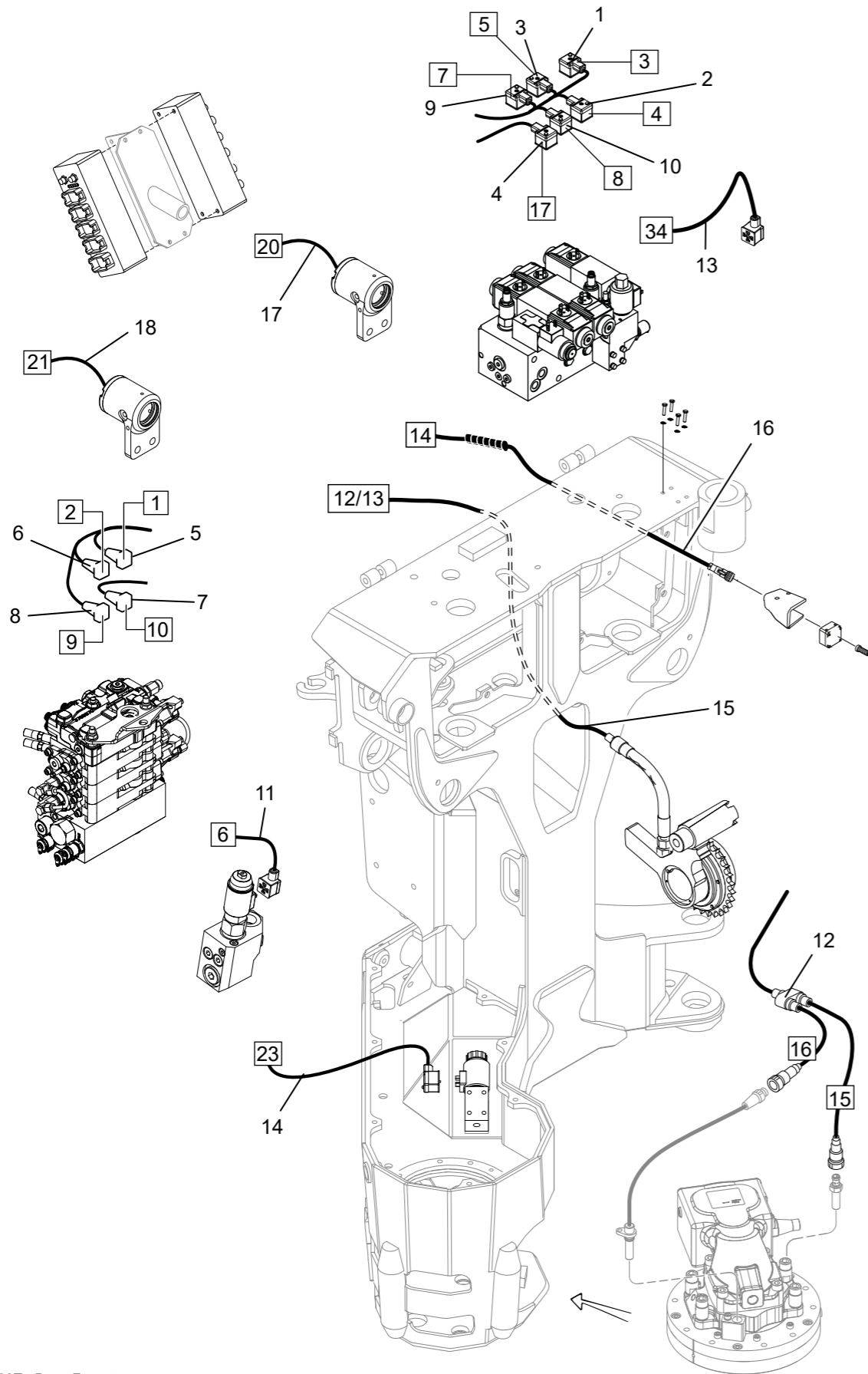


Structure 036463-KABEL				
Pos.	Part no.	Quantity	Description	Specification
1	401232	1	Cable	"3"
2	401232	1	Cable	"4"
3	401232	1	Cable	"5"
4	401232	1	Cable	"17"
5	401296	1	Cable	"1"
6	401296	1	Cable	"2"
7	401296	1	Cable	"10"
8	401296	1	Cable	"9"
9	401232	1	Cable	"7"
10	401232	1	Cable	"8"
11	401232	1	Cable	"6"
12	402580	1	Cable	"12/13"
13	401151	1	Sensor compl.	"14"
14	017324	1	Cable	"15/16"
15	402573	1	Cable	"20"
16	402573	1	Cable	"21"
17	401232	1	Cable	"23"



Dasa 4 & Cabswin

Structure				
006726-KABEL				
Pos.	Part no.	Quantity	Description	Specification
1	014157	1	Cable	"3"
2	014158	1	Cable	"4"
3	014159	1	Cable	"5"
4	014300	1	Cable	"17"
5	014298	1	Cable	"1"
6	014299	1	Cable	"2"
7	014174	1	Cable	"10"
8	014173	1	Cable	"9"
9	014160	1	Cable	"7"
10	014161	1	Cable	"8"
11	671270	1	Cable	"6"
12	671275	1	Cable	"12/13"
13	401151	1	Sensor compl.	"14"
14	017324	1	Cable	"15/16"
15	401250	1	Cable	"20"
16	401250	1	Cable	"21"
17	671274	1	Cable	"23"

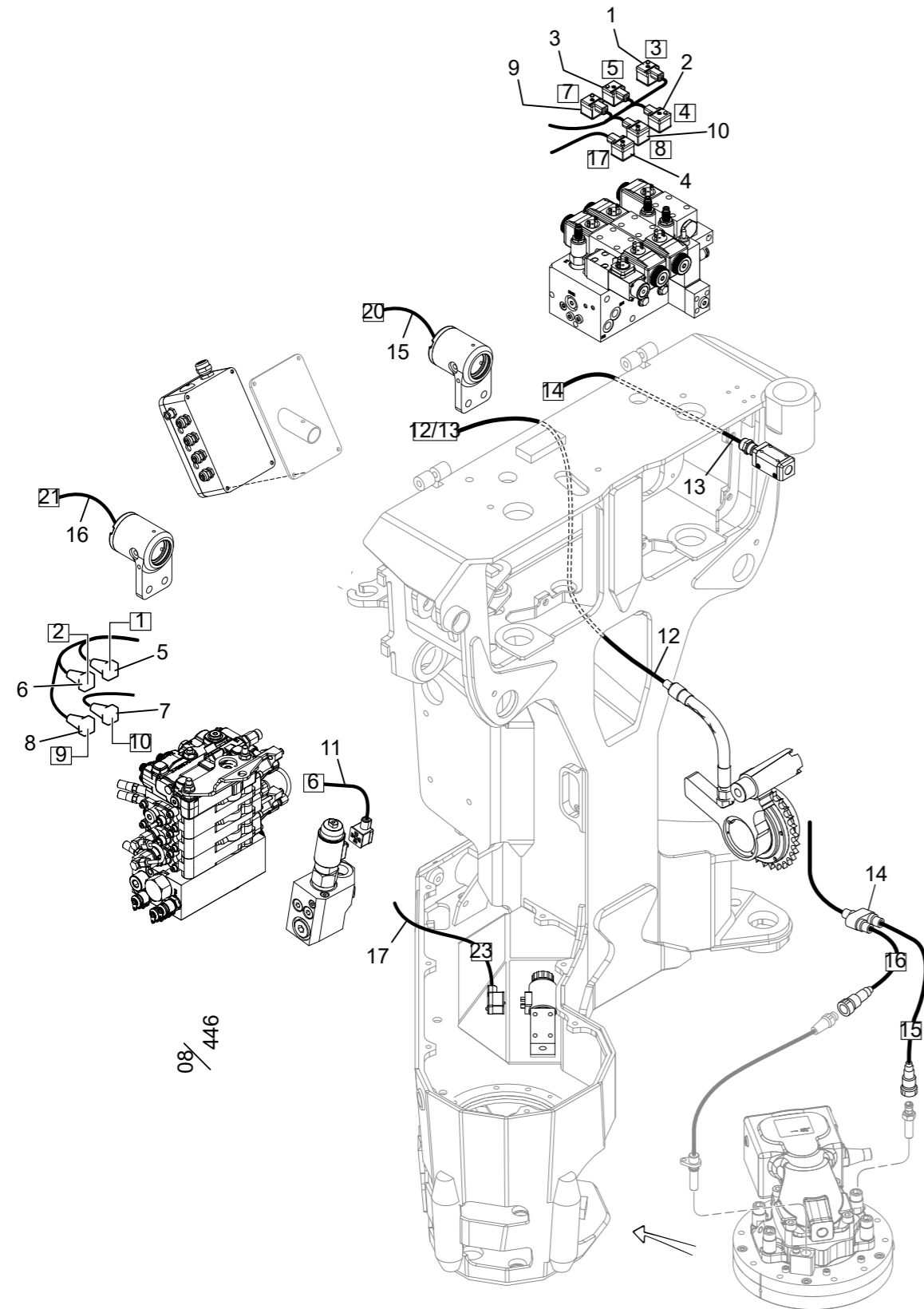


08/055

Log Max 4000T - Dasa Forester

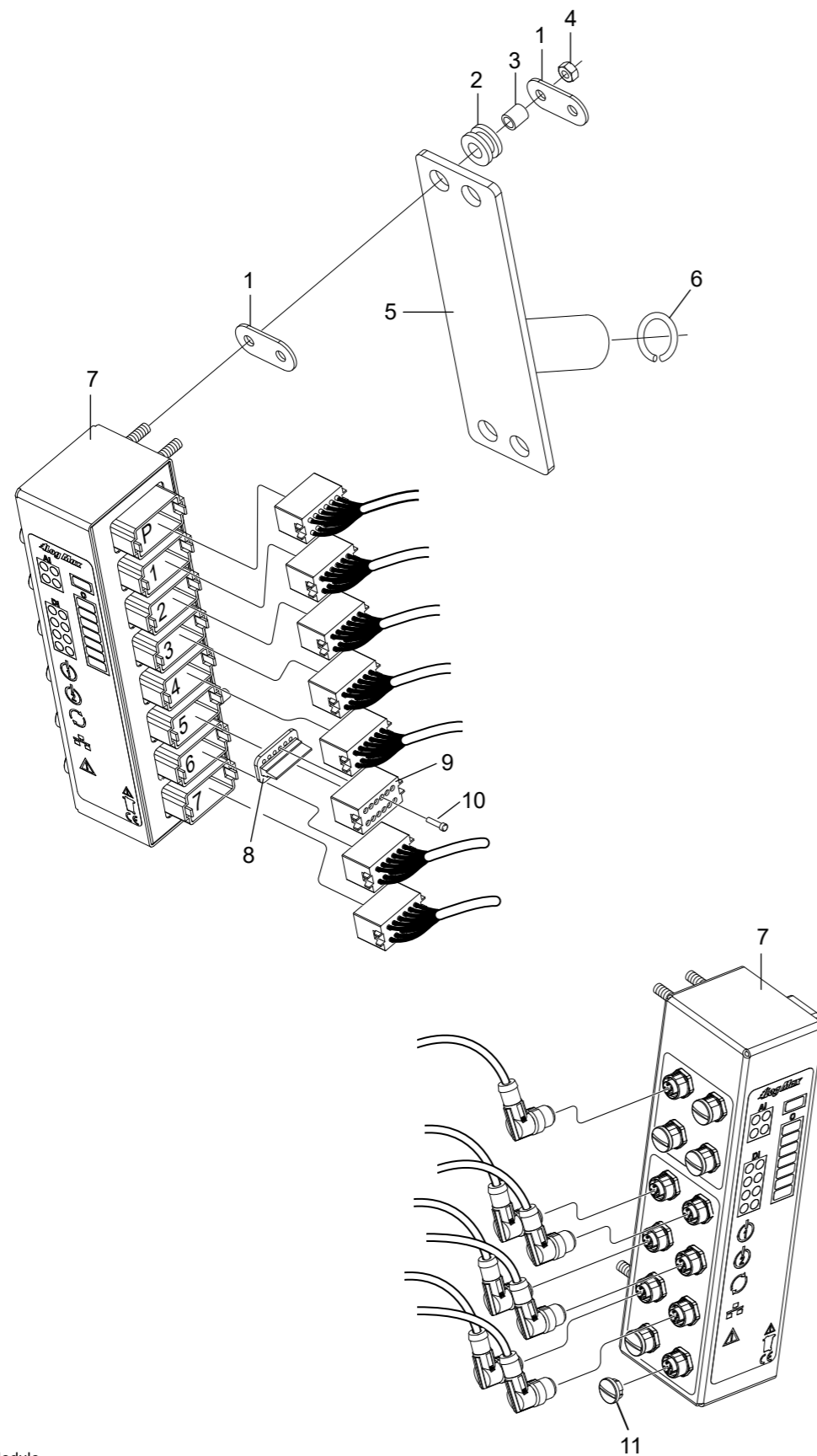
Dasa forester

Structure 034665-KABEL				
Pos.	Part no.	Quantity	Description	Specification
1	401232	1	Cable	"3"
2	401232	1	Cable	"4"
3	401232	1	Cable	"5"
4	401232	1	Cable	"17"
5	401296	1	Cable	"1"
6	401296	1	Cable	"2"
7	401296	1	Cable	"10"
8	401296	1	Cable	"9"
9	401232	1	Cable	"7"
10	401232	1	Cable	"8"
11	401232	1	Cable	"6"
12	401025	1	Cable	"12/13"
13	401151	1	Sensor compl.	"14"
14	017324	1	Cable	"15/16"
15	402573	1	Cable	"20"
16	402573	1	Cable	"21"
17	401232	1	Cable	"23"



VU

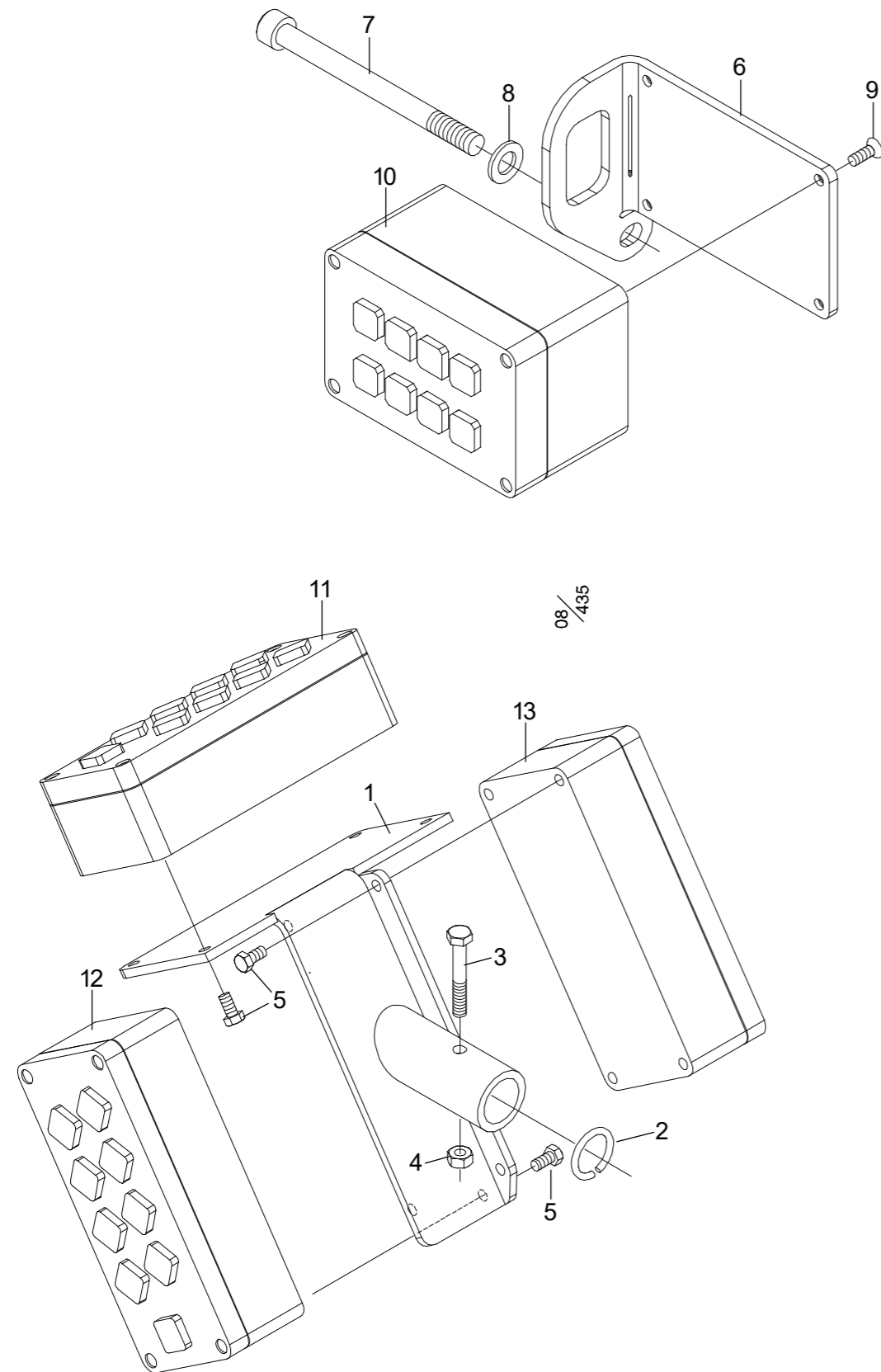
Structure 034668				
Pos.	Part no.	Quantity	Description	Specification
1	401232	1	Cable	"3"
2	401232	1	Cable	"4"
3	401232	1	Cable	"5"
4	401232	1	Cable	"17"
5	401296	1	Cable	"1"
6	401296	1	Cable	"2"
7	401296	1	Cable	"10"
8	401296	1	Cable	"9"
9	401232	1	Cable	"7"
10	401232	1	Cable	"8"
11	401232	1	Cable	"6"
12	401025	1	Cable	"12/13"
13	401151	1	Sensor compl.	"14"
14	017324	1	Cable	"15/16"
15	401025	1	Cable	"20"
16	401025	1	Cable	"21"
17	401233	1	Cable	"23"

08 /
026

Log Mate 510 Head Module

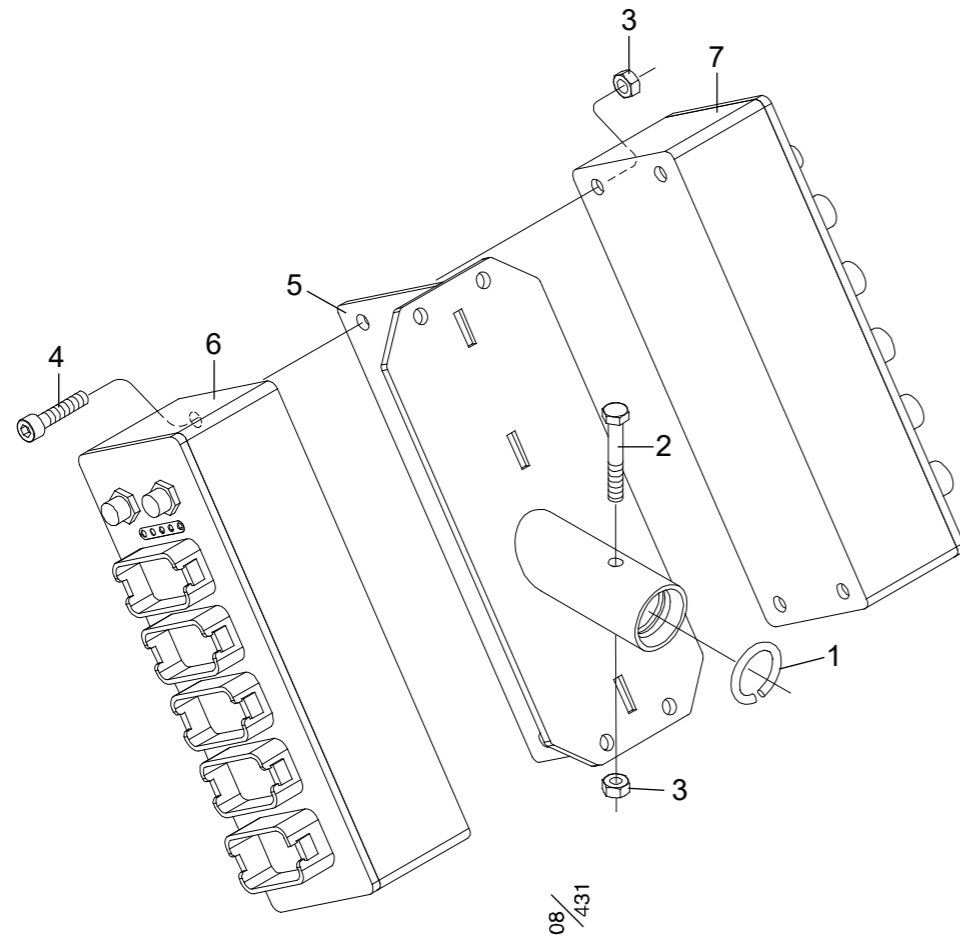
Log Mate 510

Structure				
Pos.	Part no.	Quantity	Description	Specification
1	016852	4	Washer	
2	402059	4	Rubber bushing	
3	402585	4	Spacer	6x10 – 9
4	502053	4	Nut	M6 Locking FZB
5	016854	1	Bracket	
6	517004	1	Circlip	
7	402610	1	Term box	
8	402086	Req / Erf	Wedge	DT06 12 – POL
9	402080	Req / Erf	Connector	DT06 – 12SBCE05
10	402077	Req / Erf	Plug	White / Vit
11	401310	Req / Erf	Cover	M12 Female / Hona

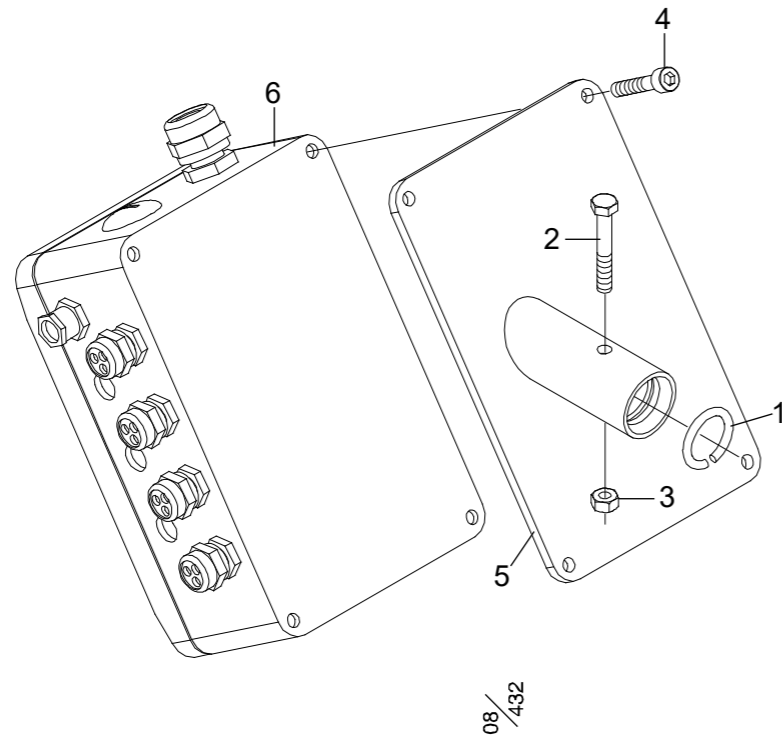


Dasa 4 & Cabswin

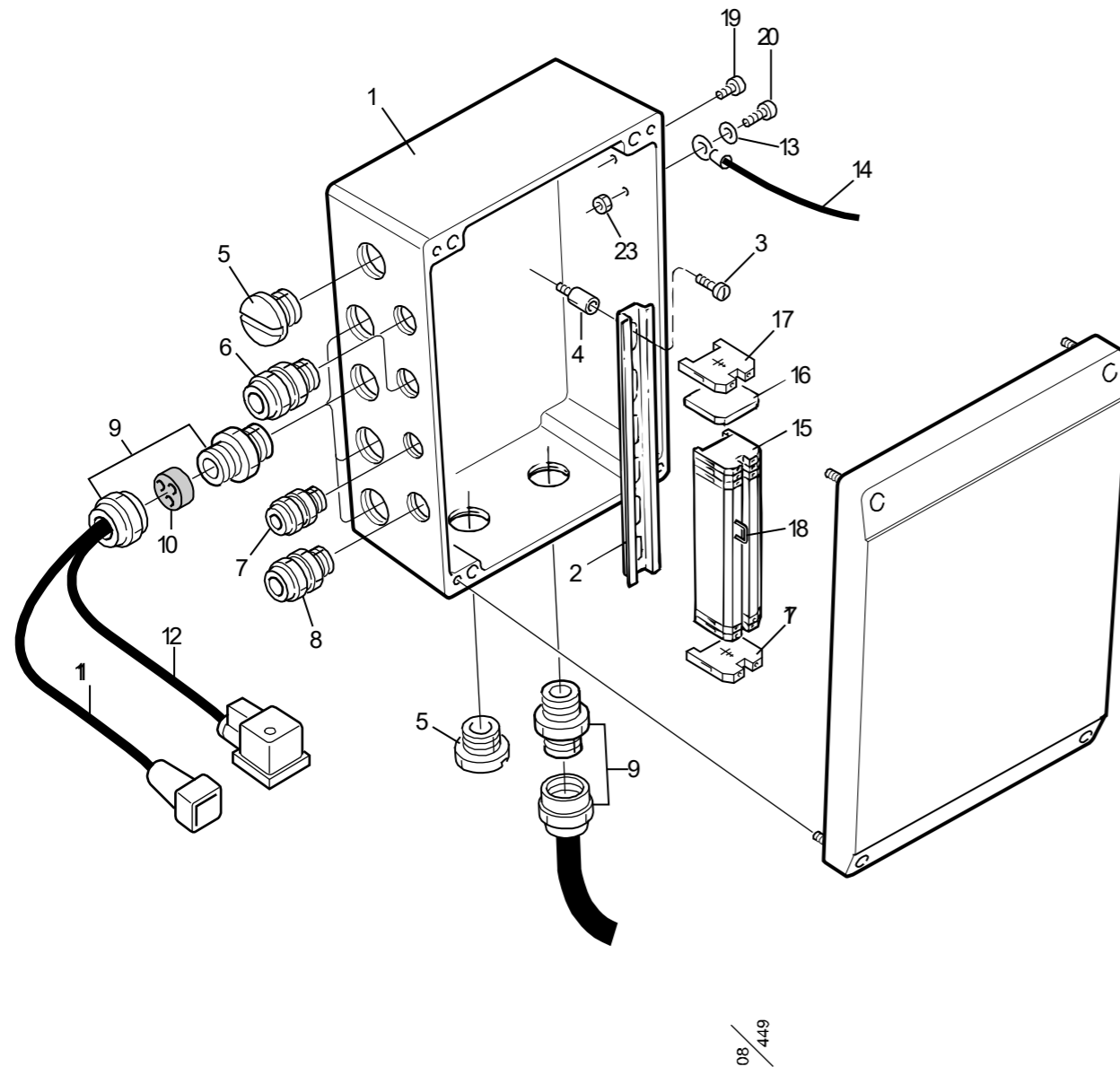
Structure 006726				
Pos.	Part no.	Quantity	Description	Specification
1	014363	1	Bracket	
2	517004	1	Lock ring	
3	501028	10	Screw	M5x16 12.9
4	014250	1	Bracket	
5	504019	4	Screw	M5x16 10.9
6	7032410	1	Box yellow	D4CU
7	501104	1	Screw	M10x140 12.9
8	503057	1	Washer	NL10
9	7009847	1	Box red	D4I8
10	7009845	1	Box blue	D408D
11	7009846	1	Box green	D408A

**Dasa forester**

Structure 034665				
Pos.	Part no.	Quantity	Description	Specification
1	517004	1	Lock ring	
2	501049	4	Screw	MC6S M6x30 12.9
3	502053	4	Nut	M6 Locking FZB
4	017555	1	Bracket	
5	7037701-R	1	Input box	Red / Röd
6	7037700-R	1	Output box	Green / Grön

**VU**

Structure 034668				
Pos.	Part no.	Quantity	Description	Specification
1	517004	1	Lock ring	
2	014360	1	Bracket	
3	501015	4	Screw	M4x16 12.9
4	402205	1	Term. box	



08/449

Connection box VU

Structure 034668				
Pos.	Part no.	Quantity	Description	Specification
1	402205	1	Term. box	
	013207	1	Terminal cmpl	
2	4010542	1	Rail	TS15 L=200 mm
3	500513	2	Screw	MCS 4x5
4	402014	2	Screw	M4x15
5	4010711	2	Plug	PG 16
6	4010631	2	Cable sleeve	PG 11
7	4010601	1	Cable sleeve	PG 7
8	4010931	1	Cable sleeve	PG 9
9	4011571	5	Cable sleeve	PG 16
10	4010961	4	Cable sealing	PG 16 3x6 mm
11	401296	4	Cable with conn.	L-90
12	401232	8	Cable with conn.	1.5 m
13	503003	1	Washer	FZB 5,3x10x1,0
14	012605	1	Ground wire	
15	4010512	26	Terminal	AKZ 2.5
16	4010522	1	End cover	AKZ 2.5
17	4011012	4	Ground connector	
18	4010582	1	Jumper	AKZ 4
19	500530	1	Screw	5x6
20	500532	2	Screw	5x10
23	502003	2	Nut	M5

Hose kits

Hose kit Log Max 4000T**General Hose Kit**

From Head no. 240075

Language en

Part No. 647100/240075

V. 211014

Crimp. = Crimp diameter | cyl. = cylinder | Ex. = External | L. = Left | Lo. = Lower | Mani. = Manifold
 Meas. Wheel = Measuring Wheel | No. = number | Pres. Rating = Pressure Rating | Red. = Reducer | R. = Right
 SBR = Saw Bar Rescue | Str. = Straight | Stump treatm. = Stump treatment | Tot. = Total | U. = Upper | WEOPi = WEO Plug-In

Hose no.	Connections		Fittings		Ferrules Part no.	Length Total Cut	Hose type		Note
	Connection 1	Connection 2	Fitting 1	Fitting 2			Part no.	Part no.	
615049	Hose guard					400 mm	3/4"		Hose guard
	Felling link cyl.								
615051	Hose guard					600 mm	2"		
	Roller motor								
647158	Grease hole frame		BSP -02 Banjo		601531	120 mm	1/4"	615091	90°
	Lo. Knife cyl.		BSP -02 Banjo		601531	120 mm	290 bar	EN 857 1SC	
647126	L. Manifold SM		ORFS -04 90		601125	186 mm	1/4"	615071	
	Test Point SM		ORFS -04 Str.		601125	140 mm	450 bar	EN 857 2SC	
647127	L. Manifold P2		ORFS -04 90		601125	206 mm	1/4"	615071	
	Test Point P2		ORFS -04 Str.		601125	160 mm	450 bar	EN 857 2SC	
647129	R. Manifold S4 B		ORFS -04 90		601125	410 mm	1/4"	615071	
	R. Knife cyl. B		ORFS -04 90		601125	360 mm	450 bar	EN 857 2SC	
647130	R. Manifold S4 B		ORFS -04 Str.		601125	337 mm	1/4"	615071	
	L. Knife cyl. B		BSP -04 Banjo		601149	290 mm	450 bar	EN 857 2SC	
647131	R. Manifold S4 A		ORFS -04 90		601125	752 mm	1/4"	615071	90°
	R. Knife cyl. A		BSP -04 Banjo		601149	700 mm	450 bar	EN 857 2SC	
647132	R. Manifold S4 A		ORFS -04 Str.		601125	427 mm	1/4"	615071	
	L. Knife cyl. A		BSP -04 Banjo		601149	380 mm	450 bar	EN 857 2SC	
647133	L. Manifold A43		ORFS -04 90		601125	1116 mm	1/4"	615071	
	R. Roller arm cyl. B		ORFS -04 Str.		601125	1070 mm	450 bar	EN 857 2SC	
647134	L. Manifold B41		ORFS -04 90		601125	902 mm	1/4"	615071	90°
	R. Roller arm cyl. A		BSP -04 Banjo		601149	850 mm	450 bar	EN 857 2SC	

Hose kit Log Max 4000T**General Hose Kit**

From Head no. 240075

Language en

Part No. 647100/240075

V. 211014

Crimp. = Crimp diameter | cyl. = cylinder | Ex. = External | L. = Left | Lo. = Lower | Mani. = Manifold
 Meas. Wheel = Measuring Wheel | No. = number | Pres. Rating = Pressure Rating | Red. = Reducer | R. = Right
 SBR = Saw Bar Rescue | Str. = Straight | Stump treatm. = Stump treatment | Tot. = Total | U. = Upper | WEOPi = WEO Plug-In

Hose no.	Connections		Fittings		Ferrules Part no.	Length Total Cut	Hose type		Note
	Connection 1	Connection 2	Fitting 1	Fitting 2			Part no.	Part no.	
647135	L. Manifold A42		ORFS -04 90		601125	796 mm	1/4"	615071	
	L. Roller arm cyl. B		ORFS -04 Str.		601125	750 mm	450 bar	EN 857 2SC	
647136	L. Manifold B43		ORFS -04 90		601125	552 mm	1/4"	615071	
	L. Roller arm cyl. A		BSP -04 Banjo		601149	500 mm	450 bar	EN 857 2SC	
647140	L. Manifold B2		ORFS -04 90		601125	1066 mm	1/4"	615071	
	Lo. Knife cyl. B		ORFS -04 Str.		601125	1020 mm	450 bar	EN 857 2SC	
647141	L. Manifold A2		ORFS -04 90		601125	1066 mm	1/4"	615071	
	Lo. Knife cyl. A		ORFS -04 Str.		601125	1020 mm	450 bar	EN 857 2SC	
647142	L. Manifold A33		ORFS -04 90		601125	1096 mm	1/4"	615071	
	Felling link cyl. A		ORFS -04 Str.		601125	1050 mm	450 bar	EN 857 2SC	
647144	L. Manifold B3		ORFS -04 90		601125	1126 mm	1/4"	615071	
	Felling link cyl. B		ORFS -04 Str.		601125	1080 mm	450 bar	EN 857 2SC	
647145	Air bleed oil tank		BSP -04 Banjo		601149	483 mm	1/4"	615071	
			ORFS -04 Str. Ex.		601524	430 mm	450 bar	EN 857 2SC	
647252	R. Manifold S1 PM2		BSP -04 90		601160	815 mm	1/4"	615071	150°
	L. Manifold PS		BSP -04 90		601160	760 mm	450 bar	EN 857 2SC	
647253	L. Manifold A51		BSP -04 90		601170	340 mm	1/4"	615071	100°
	Accumulator		BSP -06 90		601533	290 mm	450 bar	EN 857 2SC	
647151	R. Manifold S1 DR1		BSP -06 Banjo		601148	518 mm	3/8"	615072	
	R. Roller motor 1		BSP -06 Banjo		601148	470 mm	385 bar	EN 857 2SC	
647254	Accumulator		BSP -06 45		601176	265 mm	3/8"	615072	
	Meas. Wheel cyl. B		BSP -06 Str.		601151	200 mm	385 bar	EN 857 2SC	

Hose kit Log Max 4000T**General Hose Kit**

From Head no. 240075

Language en

Part No. 647100/240075

V. 211014

Crimp. = Crimp diameter | cyl. = cylinder | Ex. = External | L. = Left | Lo. = Lower | Mani. = Manifold
 Meas. Wheel = Measuring Wheel | No. = number | Pres. Rating = Pressure Rating | Red. = Reducer | R. = Right
 SBR = Saw Bar Rescue | Str. = Straight | Stump treatm. = Stump treatment | Tot. = Total | U. = Upper | WEOPi = WEO Plug-In

Hose no.	Connections	Fittings		Ferrules	Length	Hose type			Note
		Fitting 1	Part no.			Total	Size	Part no.	
		Fitting 2	Part no.						
647255	Connection 1 Connection 2 Meas. Wheel cyl. A L. Manifold B5	BSP -06 Str. BSP -04 Banjo	601151 601136	601121 601121	655 mm 600 mm	3/8" 385 bar	615072 EN 857 2SC	Hose guard	
647256	L. Manifold DR R. Manifold S1 DR2	ORFS -06 Str. ORFS -06 45	601541 601545	601121 601121	290 mm 220 mm	3/8" 385 bar	615072 EN 857 2SC		
647257	L. Manifold B42 Accumulator	BSP -06 Banjo ORFS -06 90	601148 601542	601121 601121	237 mm 170 mm	3/8" 385 bar	615072 EN 857 2SC	20°	
647258	R. Manifold S1 DR2 L. Roller motor DR	ORFS -06 45 BSP -06 Banjo	601545 601148	601121 601121	850 mm 780 mm	3/8" 385 bar	615072 EN 857 2SC		
647138	R. Manifold S1 PR L. Manifold P	ORFS -08 Str. BSP -08 Banjo	601099 601184	601122 601122	167 mm 110 mm	1/2" 345 bar	615073 EN 857 2SC		
647139	R. Manifold S1 T3 L. Manifold T	ORFS -08 Str. BSP -08 Banjo	601099 601184	601122 601122	177 mm 120 mm	1/2" 345 bar	615073 EN 857 2SC		
647162	R. Manifold S3 A L. Roller motor L	ORFS -10 90 ORFS -10 90	601571 601571	601579 601579	1004 mm 910 mm	5/8" 410 bar	615037 EN 857 2SC	295°	
647163	R. Manifold S2 A R. Roller motor R	ORFS -10 90 ORFS -10 90	601571 601571	601579 601579	654 mm 560 mm	5/8" 410 bar	615037 EN 857 2SC	70°	
647164	R. Manifold S2 B R. Roller motor L	ORFS -10 90 ORFS -10 90	601571 601571	601579 601579	704 mm 610 mm	5/8" 410 bar	615037 EN 857 2SC	65°	
647165	R. Manifold S3 B L. Roller motor R	ORFS -10 90 ORFS -10 90	601571 601571	601579 601579	974 mm 880 mm	5/8" 410 bar	615037 EN 857 2SC	295°	

Hose kit Log Max 4000T**Multi-stemming Kit**

From Head no. 240001

Language en

Part No. 647004/240001

V. 211014

Crimp. = Crimp diameter | cyl. = cylinder | Ex. = External | L. = Left | Lo. = Lower | Mani. = Manifold
 Meas. Wheel = Measuring Wheel | No. = number | Pres. Rating = Pressure Rating | Red. = Reducer | R. = Right
 SBR = Saw Bar Rescue | Str. = Straight | Stump treatm. = Stump treatment | Tot. = Total | U. = Upper | WEOPi = WEO Plug-In

Hose no.	Connections	Fittings		Ferrules	Length	Hose type			Note
		Fitting 1	Part no.			Total	Size	Part no.	
		Fitting 2	Part no.						
647080	Manifold B L. Cylinder A	ORFS -04 Str. BSP -04 Banjo	601521 601149	601125 601125	427 mm 380 mm	1/4" 450 bar	615071 EN 857 2SC	Hose guard	
647081	Manifold A L. Cylinder B	ORFS -04 Str. ORFS -04 Str.	601521 601521	601125 601125	631 mm 590 mm	1/4" 450 bar	615071 EN 857 2SC		
647082	Manifold B R. Cylinder A	ORFS -04 90 BSP -04 Banjo	601522 601149	601125 601125	182 mm 130 mm	1/4" 450 bar	615071 EN 857 2SC		
647083	Manifold A R. Cylinder B	ORFS -04 90 ORFS -04 Str.	601522 601521	601125 601125	356 mm 310 mm	1/4" 450 bar	615071 EN 857 2SC		
647084	R. Manifold S1 PM3 Manifold P2	BSP -06 Banjo ORFS -06 Str.	601148 601541	601121 601121	1844 mm 1800 mm	3/8" 385 bar	615072 EN 857 2SC		
647085	L. Manifold T5 Manifold T2	ORFS -06 90 ORFS -06 Str.	601542 601541	601121 601121	2201 mm 2150 mm	3/8" 385 bar	615072 EN 857 2SC		
647086	Protective hose Electric cable	ORFS -06 Str. ORFS -06 Str.	601541 601541	601121 601121	1780 mm 1740 mm	3/8" 385 bar	615072 EN 857 2SC	Crimp. 20,7	

Hose kit Log Max 4000T**Saw 218 - 19cc**

From Head no. 240042

Language en

Part No. 647102/240042

V. 211014

Crimp. = Crimp diameter | cyl. = cylinder | Ex. = External | L. = Left | Lo. = Lower | Mani. = Manifold
 Meas. Wheel = Measuring Wheel | No. = number | Pres. Rating = Pressure Rating | Red. = Reducer | R. = Right
 SBR = Saw Bar Rescue | Str. = Straight | Stump treatm. = Stump treatment | Tot. = Total | U. = Upper | WEOPi = WEO Plug-In

Hose no.	Connections		Fittings		Ferrules Part no.	Length Total Cut	Hose type		Note	
	Connection 1	Connection 2	Fitting 1	Fitting 2			Part no.	Size		Part no.
647159	Easy Greasy		ORFS -04 45		601525	592 mm	1/4"	615091	180°	
	Saw motor R		ORFS -04 90		601522	530 mm	290 bar	EN 857 1SC		
647160	Grease hole frame		ORFS -04 Str.		601521	346 mm	1/4"	615091		
	Saw motor T		ORFS -04 90		601522	300 mm	290 bar	EN 857 1SC		
647196	R. Manifold S1 Psaw		ORFS -12 45°		601377	576 mm	3/4"	615005		
	Saw motor valve P		ORFS -12 Str.		601284	470 mm	375 bar	EN 857 2SC		
647197	Saw motor valve SP		ORFS -12 45°		601377	416 mm	3/4"	615005		
	Saw motor A		ORFS -12 Str.		601284	310 mm	375 bar	EN 857 2SC		
647198	R. Manifold S1 T4		ORFS -12 45°		601377	1416 mm	3/4"	615074		
	Saw motor B		ORFS -12 Str.		601284	1310 mm	280 bar	EN 857 2SC		
647199	L. Manifold B1		ORFS -04 90		601522	1426 mm	1/4"	615071		
	Saw bar feed cyl. A		ORFS -04 Str.		601521	1380 mm	450 bar	EN 857 2SC		
647200	L. Manifold A1		ORFS -04 90		601522	1656 mm	1/4"	615071		
	Saw bar feed cyl. B		ORFS -04 Str.		601521	1610 mm	450 bar	EN 857 2SC		
647248	Saw motor D		BSP -06 Banjo		601148	1858 mm	3/8"	615072		
	R. Manifold DR5		BSP -06 Banjo		601148	1810 mm	385 bar	EN 857 2SC		

Hose kit Log Max 4000T**Multi-stemming Kit**

From Head no. 240003

Language en

Part No. 647103/240003

V. 211014

Crimp. = Crimp diameter | cyl. = cylinder | Ex. = External | L. = Left | Lo. = Lower | Mani. = Manifold
 Meas. Wheel = Measuring Wheel | No. = number | Pres. Rating = Pressure Rating | Red. = Reducer | R. = Right
 SBR = Saw Bar Rescue | Str. = Straight | Stump treatm. = Stump treatment | Tot. = Total | U. = Upper | WEOPi = WEO Plug-In

Hose no.	Connections		Fittings		Ferrules Part no.	Length Total Cut	Hose type		Note	
	Connection 1	Connection 2	Fitting 1	Fitting 2			Part no.	Size		Part no.
647170	Manifold AA2		BSP -04 Banjo		601149	313 mm	1/4"	615071		
	L. Cylinder A		BSP -04 Banjo		601149	260 mm	450 bar	EN 857 2SC		
647171	Manifold AB2		ORFS -04 Str.		601521	467 mm	1/4"	615071		
	L. Cylinder B		BSP -04 Banjo		601149	420 mm	450 bar	EN 857 2SC		
647172	Manifold AA1		BSP -04 Banjo		601149	342 mm	1/4"	615071		
	R. Cylinder A		ORFS -04 90		601522	290 mm	450 bar	EN 857 2SC		
647174	Manifold RB		BSP -04 Banjo		601149	272 mm	1/4"	615071		
	Rotator A (L)		ORFS -04 90		601522	220 mm	450 bar	EN 857 2SC		
647175	Manifold RA		BSP -04 Banjo		601149	232 mm	1/4"	615071		
	Rotator B (R)		ORFS -04 90		601522	180 mm	450 bar	EN 857 2SC		
647176	L. Manifold T5		ORFS -06 90		601542	2371 mm	3/8"	615072		
	Manifold T		ORFS -06 Str.		601541	2320 mm	385 bar	EN 857 2SC		
647177	R. Manifold S1 PM3		BSP -06 Banjo		601148	1924 mm	3/8"	615072		
	Manifold P		ORFS -06 Str.		601541	1880 mm	385 bar	EN 857 2SC		
647178	Protective hose		ORFS -06 Str.		601541	1840 mm	3/8"	615072	Crimp. 22,0	
	Electric cable		ORFS -06 Str.		601541	1840 mm	385 bar	EN 857 2SC		
647179	Manifold AB1		ORFS -04 Str.		601521	426 mm	1/4"	615071		
	R. Cylinder B		ORFS -04 90		601522	380 mm	450 bar	EN 857 2SC		

Hose kit Log Max 4000T

Saw 318 - 19cc

From Head no. 240021

Language en
Part No. 647104/240021

V. 211014

Crimp. = Crimp diameter | cyl. = cylinder | Ex. = External | L. = Left | Lo. = Lower | Mani. = Manifold
Meas. Wheel = Measuring Wheel | No. = number | Pres. Rating = Pressure Rating | Red. = Reducer | R. = Right
SBR = Saw Bar Rescue | Str. = Straight | Stump treatm. = Stump treatment | Tot. = Total | U. = Upper | WEOPi = WEO Plug-In

Hose no.	Connections		Fittings		Ferrules Part no.	Length Total Cut	Hose type		Note	
	Connection 1	Connection 2	Fitting 1	Fitting 2			Part no.	Size		Part no.
647123	Red. Manifold DR2		BSP -06 Banjo		601148	165 mm	3/8"	615072		
	Saw motor D		ORFS -06 90		601542	110 mm	385 bar	EN 857 2SC		
647125	R. Manifold S1 DR5		ORFS -06 Str.		601541	1614 mm	3/8"	615072		
	Red. Manifold DR1		BSP -06 Banjo		601148	1570 mm	385 bar	EN 857 2SC		
647128	R. Manifold S1 PS1		ORFS -04 90		601522	1232 mm	1/4"	615091		
	Red. Manifold PS		ORFS -04 45		601525	1170 mm	290 bar	EN 857 1SC		
647159	Easy Greasy		ORFS -04 45		601525	592 mm	1/4"	615091		
	Saw motor R		ORFS -04 90		601522	530 mm	290 bar	EN 857 1SC		
647160	Grease hole frame		ORFS -04 Str.		601521	346 mm	1/4"	615091		
	Saw motor T		ORFS -04 90		601522	300 mm	290 bar	EN 857 1SC		
647161	Red. Manifold PCT		ORFS -04 90		601522	350 mm	1/4"	615091		
	Saw motor S		ORFS -04 90		601522	300 mm	290 bar	EN 857 1SC		
647196	R. Manifold S1 Psaw		ORFS -12 45°		601377	576 mm	3/4"	615005		
	Saw motor valve P		ORFS -12 str.		601284	470 mm	375 bar	EN 857 2SC		
647197	Saw motor valve SP		ORFS -12 45°		601377	416 mm	3/4"	615005		
	Saw motor A		ORFS -12 Str.		601284	310 mm	375 bar	EN 857 2SC		
647198	R. Manifold S1 T4		ORFS -12 45°		601377	1416 mm	3/4"	615074		
	Saw motor B		ORFS -12 Str.		601284	1310 mm	280 bar	EN 857 2SC		
647199	L. Manifold B1		ORFS -04 90		601522	1426 mm	1/4"	615071		
	Saw bar feed cyl. A		ORFS -04 Str.		601521	1380 mm	450 bar	EN 857 2SC		
647200	L. Manifold A1		ORFS -04 90		601522	1656 mm	1/4"	615071		
	Saw bar feed cyl. B		ORFS -04 Str.		601521	1610 mm	450 bar	EN 857 2SC		

Hose kit Log Max 4000T

Saw 318 True-Cut

From Head no. 240021

Language en
Part No. 647105/240021

V. 211014

Crimp. = Crimp diameter | cyl. = cylinder | Ex. = External | L. = Left | Lo. = Lower | Mani. = Manifold
Meas. Wheel = Measuring Wheel | No. = number | Pres. Rating = Pressure Rating | Red. = Reducer | R. = Right
SBR = Saw Bar Rescue | Str. = Straight | Stump treatm. = Stump treatment | Tot. = Total | U. = Upper | WEOPi = WEO Plug-In

Hose no.	Connections		Fittings		Ferrules Part no.	Length Total Cut	Hose type		Note	
	Connection 1	Connection 2	Fitting 1	Fitting 2			Part no.	Size		Part no.
647123	Red. Manifold DR2		BSP -06 Banjo		601148	165 mm	3/8"	615072		
	Saw motor D		ORFS -06 90		601542	110 mm	385 bar	EN 857 2SC		
647128	R. Manifold S1 PS1		ORFS -04 90		601522	1232 mm	1/4"	615091		
	Red. Manifold PS		ORFS -04 45		601525	1170 mm	290 bar	EN 857 1SC		
647159	Easy Greasy		ORFS -04 45		601525	592 mm	1/4"	615091	180°	
	Saw motor R		ORFS -04 90		601522	530 mm	290 bar	EN 857 1SC		
647160	Grease hole frame		ORFS -04 Str.		601521	346 mm	1/4"	615091		
	Saw motor T		ORFS -04 90		601522	300 mm	290 bar	EN 857 1SC		
647161	Red. Manifold PCT		ORFS -04 90		601522	350 mm	1/4"	615091		
	Saw motor S		ORFS -04 90		601522	300 mm	290 bar	EN 857 1SC		
647205	R. Manifold S1 Psaw		ORFS -12 45°		601377	996 mm	3/4"	615005		
	Saw motor A		ORFS -12 Str.		601284	890 mm	375 bar	EN 857 2SC		
647214	R. Manifold S1 T4		ORFS -12 Str.		601284	1286 mm	3/4"	615074		
	Saw motor B		ORFS -12 45°		601377	1180 mm	280 bar	EN 857 2SC		
647230	SBR E		ORFS -06 45		601545	353 mm	3/8"	615072		
	Saw motor E		ORFS -06 Str.		601541	290 mm	385 bar	EN 857 2SC		
647231	SBR A		ORFS -06 45		601545	1003 mm	3/8"	615072		
	Saw Cyl. A		ORFS -06 Str.		601541	940 mm	385 bar	EN 857 2SC		
647232	Saw motor F		ORFS -06 90		601543	1703 mm	3/8"	615072		
	Saw Cyl. B		ORFS -06 Str.		601541	1650 mm	385 bar	EN 857 2SC		
647233	Tensioner mani. DR1		ORFS -06 Str.		601541	493 mm	3/8"	615072		
	SBR DR2		ORFS -06 45		601545	430 mm	385 bar	EN 857 2SC		

Hose kit Log Max 4000T

Saw 318 True-Cut

From Head no. 240021

Language en

Part No. 647105/240021

V. 211014

Crimp. = Crimp diameter | cyl. = cylinder | Ex. = External | L. = Left | Lo. = Lower | Mani. = Manifold
Meas. Wheel = Measuring Wheel | No. = number | Pres. Rating = Pressure Rating | Red. = Reducer | R. = Right
SBR = Saw Bar Rescue | Str. = Straight | Stump treatm. = Stump treatment | Tot. = Total | U. = Upper | WEOPi = WEO Plug-In

Hose no.	Connections		Fittings		Ferrules		Length		Hose type		Note
	Connection 1	Connection 2	Fitting 1	Fitting 2	Part no.	Part no.	Total	Cut	Size	Part no.	
647234	SBR DR1		ORFS -06 Str.		601541	601121	1074 mm	1074 mm	3/8"	615072	Hose guard
	R. Manifold DR5		BSP -06 Banjo		601148	601121	1030 mm	1030 mm	385 bar	EN 857 2SC	

Hose kit Log Max 4000T

Saw 218 True-Cut

From Head no. 240025

Language en

Part No. 647106/240025

V. 211014

Crimp. = Crimp diameter | cyl. = cylinder | Ex. = External | L. = Left | Lo. = Lower | Mani. = Manifold
Meas. Wheel = Measuring Wheel | No. = number | Pres. Rating = Pressure Rating | Red. = Reducer | R. = Right
SBR = Saw Bar Rescue | Str. = Straight | Stump treatm. = Stump treatment | Tot. = Total | U. = Upper | WEOPi = WEO Plug-In

Hose no.	Connections		Fittings		Ferrules		Length		Hose type		Note
	Connection 1	Connection 2	Fitting 1	Fitting 2	Part no.	Part no.	Total	Cut	Size	Part no.	
647159	Easy Greasy		ORFS -04 45		601525	601539	592 mm	592 mm	1/4"	615091	180°
	Saw motor R		ORFS -04 90		601522	601539	530 mm	530 mm	290 bar	EN 857 1SC	
647160	Grease hole frame		ORFS -04 Str.		601521	601539	346 mm	346 mm	1/4"	615091	
	Saw motor T		ORFS -04 90		601522	601539	300 mm	300 mm	290 bar	EN 857 1SC	
647205	R. Manifold S1 Psaw		ORFS -12 45°		601377	601371	996 mm	996 mm	3/4"	615005	
	Saw motor A		ORFS -12 Str.		601284	601371	890 mm	890 mm	375 bar	EN 857 2SC	
647214	R. Manifold S1 T4		ORFS -12 Str.		601284	601123	1286 mm	1286 mm	3/4"	615074	
	Saw motor B		ORFS -12 45°		601377	601123	1180 mm	1180 mm	280 bar	EN 857 2SC	
647230	SBR E		ORFS -06 45		601545	601121	353 mm	353 mm	3/8"	615072	
	Saw motor E		ORFS -06 Str.		601541	601121	290 mm	290 mm	385 bar	EN 857 2SC	
647231	SBR A		ORFS -06 45		601545	601121	1003 mm	1003 mm	3/8"	615072	
	Saw Cyl. A		ORFS -06 Str.		601541	601121	940 mm	940 mm	385 bar	EN 857 2SC	
647232	Saw motor F		ORFS -06 90		601543	601121	1703 mm	1703 mm	3/8"	615072	
	Saw Cyl. B		ORFS -06 Str.		601541	601121	1650 mm	1650 mm	385 bar	EN 857 2SC	
647234	SBR DR1		ORFS -06 Str.		601541	601121	1074 mm	1074 mm	3/8"	615072	
	R. Manifold DR5		BSP -06 Banjo		601148	601121	1030 mm	1030 mm	385 bar	EN 857 2SC	
647235	Saw motor DR		ORFS -06 90		601542	601121	784 mm	784 mm	3/8"	615072	180°
	SBR DR2		ORFS -06 45		601545	601121	710 mm	710 mm	385 bar	EN 857 2SC	

Hose kit Log Max 4000T

Rotator control

From Head no. 240007

Language en

Part No. 647108/240007

V. 211014

Crimp. = Crimp diameter | cyl. = cylinder | Ex. = External | L. = Left | Lo. = Lower | Mani. = Manifold
Meas. Wheel = Measuring Wheel | No. = number | Pres. Rating = Pressure Rating | Red. = Reducer | R. = Right
SBR = Saw Bar Rescue | Str. = Straight | Stump treatm. = Stump treatment | Tot. = Total | U. = Upper | WEOPi = WEO Plug-In

Hose no.	Connections		Fittings		Ferrules Part no.	Length Total Cut	Hose type		Note	
	Connection 1	Connection 2	Fitting 1	Fitting 2			Part no.	Size		Part no.
647221	L. Manifold T5		ORFS -06 90		601542	2371 mm	3/8"	615072		
	Manifold T		ORFS -06 Str.		601541	2320 mm	385 bar	EN 857 2SC		
647222	R. Manifold S1 PM3		BSP -06 Banjo		601148	1924 mm	3/8"	615072		
	Manifold P		ORFS -06 Str.		601541	1880 mm	385 bar	EN 857 2SC		
647223	Protective hose		ORFS -06 Str.		601541	1880 mm	3/8"	615072		
	Crimp. 20,7		ORFS -06 Str.		601541	1840 mm	385 bar	EN 857 2SC		
647224	Manifold A		BSP -04 Banjo		601149	293 mm	1/4"	615071		
	Rotator A		BSP -04 Banjo		601149	240 mm	450 bar	EN 857 2SC		
647225	Manifold B		BSP -04 Banjo		601149	293 mm	1/4"	615071		
	Rotator B		BSP -04 Banjo		601149	240 mm	450 bar	EN 857 2SC		
615055	Hose guard					350 mm	1/2"		Rotator A 0 mm	
	Hose guard					350 mm	1/2"		Rotator B 0 mm	
615050	Hose guard					3000 mm	1"		Övriga slangar 0 mm	

Hose kit Log Max 4000T

Color marking equipment

From Head no. 240036

Language en

Part No. 647110/240036

V. 211014

Crimp. = Crimp diameter | cyl. = cylinder | Ex. = External | L. = Left | Lo. = Lower | Mani. = Manifold
Meas. Wheel = Measuring Wheel | No. = number | Pres. Rating = Pressure Rating | Red. = Reducer | R. = Right
SBR = Saw Bar Rescue | Str. = Straight | Stump treatm. = Stump treatment | Tot. = Total | U. = Upper | WEOPi = WEO Plug-In

Hose no.	Connections		Fittings		Ferrules Part no.	Length Total Cut	Hose type		Note	
	Connection 1	Connection 2	Fitting 1	Fitting 2			Part no.	Size		Part no.
615055	Hose guard					1200 mm	1/2"			
647242	L. Manifold PM		BSP -02 Banjo		601531	1195 mm	1/4"	615091	90°	
	Color Pump P		ORFS -04 90		601522	1170 mm	290 bar	EN 857 1SC		
647243	R. Manifold S1 DR4		BSP -02 Banjo		601531	1275 mm	1/4"	615091	90°	
	Color Pump DR		ORFS -04 90		601522	1250 mm	290 bar	EN 857 1SC		
647244	L. Color tank		BSP -04 Banjo		601149	1752 mm	1/4"	615091	91°	
	Color Pump C1T		ORFS -04 90		601522	1700 mm	290 bar	EN 857 1SC		
647245	R. Color tank		BSP -04 Banjo		601149	1652 mm	1/4"	615091	91°	
	Color Pump C2T		ORFS -04 90		601522	1600 mm	290 bar	EN 857 1SC		
647246	Color Pump C1P		ORFS -04 90		601522	762 mm	1/4"	615091	20°	
	Color Block 1		ORFS -04 45		601525	700 mm	290 bar	EN 857 1SC		
647247	Color Pump C2P		ORFS -04 90		601522	702 mm	1/4"	615091	20°	
	Color Block 2		ORFS -04 45		601525	640 mm	290 bar	EN 857 1SC		

Hose kit Log Max 4000T

Universal kit

From Head no. 240XXX

Language en

Part No. 647111/XXXXXX

V. 211014

Crimp. = Crimp diameter | cyl. = cylinder | Ex. = External | L. = Left | Lo. = Lower | Mani. = Manifold
 Meas. Wheel = Measuring Wheel | No. = number | Pres. Rating = Pressure Rating | Red. = Reducer | R. = Right
 SBR = Saw Bar Rescue | Str. = Straight | Stump treatm. = Stump treatment | Tot. = Total | U. = Upper | WEOPi = WEO Plug-In

Hose no.	Connections		Fittings		Ferrules		Length		Hose type		Note	
	Connection 1	Connection 2	Fitting 1	Fitting 2	Part no.	Part no.	Total	Cut	Size	Part no.		Standard
647203	R. Manifold P		BSP -16 Str.		601157	601142			1"		615084	Marked P
	Crane		ORFS -16 Str.		601277	601142	2900 mm		345 bar		SAE 100 R13	
647215	R. Manifold T		BSP -16 Str.		601157	601142			1"		615084	Marked T
	Crane		ORFS -16 Str.		601277	601142	2900 mm		345 bar		SAE 100 R13	
647216	R. Manifold DR3		BSP -08 Str.		601152	601130			1/2"		615035	Marked DR
	Crane		ORFS -12 Str.		601565	601130	2940 mm		470 bar		EN 857 2SC	
647260	Crane		BSP -12 Str.		601153	601371			3/4"		615083	Marked EL
	Bracket frame		ORFS -16 Str.		601587	601371	3140 mm		345 bar		SAE 100 R13	

Hose kit Log Max 4000T

Crane kit EcoLog

From Head no. 240006

Language en

Part No. 647112/240006

V. 211014

Crimp. = Crimp diameter | cyl. = cylinder | Ex. = External | L. = Left | Lo. = Lower | Mani. = Manifold
 Meas. Wheel = Measuring Wheel | No. = number | Pres. Rating = Pressure Rating | Red. = Reducer | R. = Right
 SBR = Saw Bar Rescue | Str. = Straight | Stump treatm. = Stump treatment | Tot. = Total | U. = Upper | WEOPi = WEO Plug-In

Hose no.	Connections		Fittings		Ferrules		Length		Hose type		Note	
	Connection 1	Connection 2	Fitting 1	Fitting 2	Part no.	Part no.	Total	Cut	Size	Part no.		Standard
647201	Stump treatm. 1		ORFS -04 Str.		601521	601125			1/4"		615071	
	Swivel		ORFS -04 90		601522	601125	1100 mm		450 bar		EN 857 2SC	
647203	R. Manifold P		BSP -16 Str.		601157	601142			1"		615084	Marked P
	Crane		ORFS -16 Str.		601277	601142	2900 mm		345 bar		SAE 100 R13	
647215	R. Manifold T		BSP -16 Str.		601157	601142			1"		615084	Marked T
	Crane		ORFS -16 Str.		601277	601142	2900 mm		345 bar		SAE 100 R13	
647216	R. Manifold DR3		BSP -08 Str.		601152	601130			1/2"		615035	Marked DR
	Crane		ORFS -12 Str.		601565	601130	2940 mm		470 bar		EN 857 2SC	
647217	Adapter Stump treatm.		BSP -04 Str.		601150	601125			1/4"		615071	Marked STUMP
	Crane		ORFS -04 Str.		601194	601125	3250 mm		450 bar		EN 857 2SC	
647218	Bracket frame		BSP -12 Str.		601153	601371			3/4"		615083	Marked EL
	Crane		ORFS -12 Str.		601284	601371	3140 mm		345 bar		SAE 100 R13	
647219	Bracket frame		BSP -12 Str.		601153	601371			3/4"		615083	Marked EL
	Crane		ORFS -12 Str.		601284	601371	3140 mm		345 bar		SAE 100 R13	
647220	Adapter Grease		BSP -04 Str.		601150	601125			1/4"		615071	Marked Grease
	Crane		ORFS -04 Str.		601521	601125	3250 mm		450 bar		EN 857 2SC	
649132	Crane		BSP -12 Str.		601153	601371	3140 mm		3/4"		615083	Marked EL
	Bracket frame		ORFS -12 Str.		601284	601371	3140 mm		345 bar		SAE 100 R13	

Hose kit Log Max 4000T

Crane kit Rottne

From Head no. 240026

Language en

Part No. 647113/240026

V. 211014

Crimp. = Crimp diameter | cyl. = cylinder | Ex. = External | L. = Left | Lo. = Lower | Mani. = Manifold
 Meas. Wheel = Measuring Wheel | No. = number | Pres. Rating = Pressure Rating | Red. = Reducer | R. = Right
 SBR = Saw Bar Rescue | Str. = Straight | Stump treatm. = Stump treatment | Tot. = Total | U. = Upper | WEOPi = WEO Plug-In

Hose no.	Connections		Fittings		Ferrules		Length		Hose type		Note
	Connection 1	Connection 2	Fitting 1	Part no.	Part no.	Part no.	Total	Cut	Size	Part no.	
			Fitting 2								
647226	Crane P		ORFS -16 Str.	601277	601142	601142	3270 mm	3270 mm	1"	615084	Marked P
	Harvester head P		ORFS -16 Str.	601277	601142	601142	3160 mm	3160 mm	345 bar	SAE 100 R13	
647227	Crane T		ORFS -16 Str.	601277	601142	601142	3270 mm	3270 mm	1"	615084	Marked T
	Harvester head T		ORFS -16 Str.	601277	601142	601142	3160 mm	3160 mm	345 bar	SAE 100 R13	
647228	Crane DR		ORFS -12 Str.	601284	601371	601371	3280 mm	3280 mm	3/4"	615083	Marked DR
	Harvester head DR		ORFS -12 Str.	601284	601371	601371	3200 mm	3200 mm	345 bar	SAE 100 R13	
647229	Crane Stump treatm.		WEOPi 10 Str. Male	601224	601125	601125	3210 mm	3210 mm	1/4"	615071	Marked STUMP
	Harvester head Stump treatm.		ORFS -04 Str.	601521	601125	601125	3150 mm	3150 mm	450 bar	EN 857 2SC	

Hose kit Log Max 4000T

Bypass valve for measuring wheel cylinder

From Head no. 240023

Language en

Part No. 647114/240023

V. 211014

Crimp. = Crimp diameter | cyl. = cylinder | Ex. = External | L. = Left | Lo. = Lower | Mani. = Manifold
 Meas. Wheel = Measuring Wheel | No. = number | Pres. Rating = Pressure Rating | Red. = Reducer | R. = Right
 SBR = Saw Bar Rescue | Str. = Straight | Stump treatm. = Stump treatment | Tot. = Total | U. = Upper | WEOPi = WEO Plug-In

Hose no.	Connections		Fittings		Ferrules		Length		Hose type		Note
	Connection 1	Connection 2	Fitting 1	Part no.	Part no.	Total	Cut	Size	Part no.		
			Fitting 2							Pres. Rating	
647236	L. Manifold B5		BSP -04 Banjo	601149	601125	601125	644 mm	644 mm	1/4"	615071	
	Meas. Wheel cyl. A		ORFS -04 45	601525	601125	601125	580 mm	580 mm	450 bar	EN 857 2SC	
647237	Accumulator		ORFS -04 90	601522	601125	601125	422 mm	422 mm	1/4"	615071	
	Meas. Wheel cyl. B		ORFS -04 45	601525	601125	601125	360 mm	360 mm	450 bar	EN 857 2SC	

Hose kit Log Max 4000T

Rottne H14

From Head no. 2400XX

Language en

Part No. 647115/2400XX

V. 211014

Crimp. = Crimp diameter | cyl. = cylinder | Ex. = External | L. = Left | Lo. = Lower | Mani. = Manifold
Meas. Wheel = Measuring Wheel | No. = number | Pres. Rating = Pressure Rating | Red. = Reducer | R. = Right
SBR = Saw Bar Rescue | Str. = Straight | Stump treatm. = Stump treatment | Tot. = Total | U. = Upper | WEOPi = WEO Plug-In

Hose no.	Connections		Fittings		Ferrules Part no.	Length Total Cut	Hose type		Note
	Connection 1	Connection 2	Fitting 1	Fitting 2			Part no.	Part no.	
647238			ORFS -16 Str.	601277	601142		1"	615084	Hose guard
			BSP -16 Str.	601157	601142	3240 mm	345 bar	SAE 100 R13	
647239			ORFS -16 Str.	601277	601142		1"	615084	
			BSP -16 Str.	601157	601142	3240 mm	345 bar	SAE 100 R13	
647240			ORFS -12 Str.	601284	601371		3/4"	615083	
			BSP -12 Str.	601153	601371	3270 mm	345 bar	SAE 100 R13	
647241			ORFS -04 Str.	601194	601125		1/4"	615071	
			WEOPi 10 Str. Male	601224	601125	3210 mm	450 bar	EN 857 2SC	

Hose kit Log Max 4000T

Stump treatment Saw 218

From Head no. 240065

Language en

Part No. 647116/240065

V. 211014

Crimp. = Crimp diameter | cyl. = cylinder | Ex. = External | L. = Left | Lo. = Lower | Mani. = Manifold
Meas. Wheel = Measuring Wheel | No. = number | Pres. Rating = Pressure Rating | Red. = Reducer | R. = Right
SBR = Saw Bar Rescue | Str. = Straight | Stump treatm. = Stump treatment | Tot. = Total | U. = Upper | WEOPi = WEO Plug-In

Hose no.	Connections		Fittings		Ferrules Part no.	Length Total Cut	Hose type		Note
	Connection 1	Connection 2	Fitting 1	Fitting 2			Part no.	Part no.	
647201			ORFS -04 Str.	601521	601125	1146 mm	1/4"	615071	Hose guard
			ORFS -04 90	601522	601125	1100 mm	450 bar	EN 857 2SC	
647249			ORFS -04 90	601522	601125	640 mm	1/4"	615071	180°
			ORFS -04 90	601522	601125	580 mm	450 bar	EN 857 2SC	615060 535 mm

Hose kit Log Max 4000T
Stump treatment Saw 318

From Head no. 2400XX

Language **en**
Part No. 647117/240060
V. 211014

Crimp. = Crimp diameter | cyl. = cylinder | Ex. = External | L. = Left | Lo. = Lower | Mani. = Manifold
Meas. Wheel = Measuring Wheel | No. = number | Pres. Rating = Pressure Rating | Red. = Reducer | R. = Right
SBR = Saw Bar Rescue | Str. = Straight | Stump treatm. = Stump treatment | Tot. = Total | U. = Upper | WEOPi = WEO Plug-In

Hose no.	Connections		Fittings		Ferrules		Length		Hose type		Note	
	Connection 1	Connection 2	Fitting 1	Fitting 2	Part no.	Part no.	Total	Cut	Size	Part no.		Standard
647201	Stump treatm. 1		ORFS -04 Str.		601521	601125	1146 mm	1146 mm	1/4"	615071	615071	Hose guard
	Swivel		ORFS -04 90		601522	601125	1100 mm	1100 mm	450 bar	EN 857 2SC		
647250	Swivel		ORFS -04 90		601522	601125	640 mm	640 mm	1/4"	615071	615071	180°
	Saw unit		ORFS -04 45		601525	601125	580 mm	580 mm	450 bar	EN 857 2SC	EN 857 2SC	615060 535 mm

Hose kit Log Max 4000T
Miscellaneous hoses

From Head no. XXXXXX

Language **en**
Part No. 647119/XXXXXX
V. 211014

Crimp. = Crimp diameter | cyl. = cylinder | Ex. = External | L. = Left | Lo. = Lower | Mani. = Manifold
Meas. Wheel = Measuring Wheel | No. = number | Pres. Rating = Pressure Rating | Red. = Reducer | R. = Right
SBR = Saw Bar Rescue | Str. = Straight | Stump treatm. = Stump treatment | Tot. = Total | U. = Upper | WEOPi = WEO Plug-In

Hose no.	Connections		Fittings		Ferrules		Length		Hose type		Note	
	Connection 1	Connection 2	Fitting 1	Fitting 2	Part no.	Part no.	Total	Cut	Size	Part no.		Standard
647201	Stump treatm. 1		ORFS -04 Str.		601521	601125	1146 mm	1146 mm	1/4"	615071	615071	Hose guard
	Swivel		ORFS -04 90		601522	601125	1100 mm	1100 mm	450 bar	EN 857 2SC		
647204	Swivel		BSP -04 Str.		601150	601539	315 mm	315 mm	1/4"	615091	615091	BSP
	Saw unit		BSP -04 Banjo		601149	601539	270 mm	270 mm	290 bar	EN 857 1SC	EN 857 1SC	Marked Grease
647251	Adapter Grease		ORFS -04 Str.		601521	601125	1476 mm	1476 mm	1/4"	615071	615071	Marked Grease
	Saw motor R		ORFS -04 90		601522	601125	1430 mm	1430 mm	450 bar	EN 857 2SC	EN 857 2SC	
647259	Protective hose						550 mm	550 mm	1/4"	615091	615091	
	Find End					601125	550 mm	550 mm	290 bar	EN 857 1SC	EN 857 1SC	

Log Max

4000T

Spare part manual

240097-

en

Log Max

4000T

Spare part manual

240097-

en

Log Max

4000T

Spare part manual

240097-

en

Log Max

4000T

Spare part manual

240097-

en

Log Max

4000T

Spare part manual

240097-

en

Log Max

4000T

Spare part manual

240097-

en

Log Max

4000T

Spare part manual

240097-

en