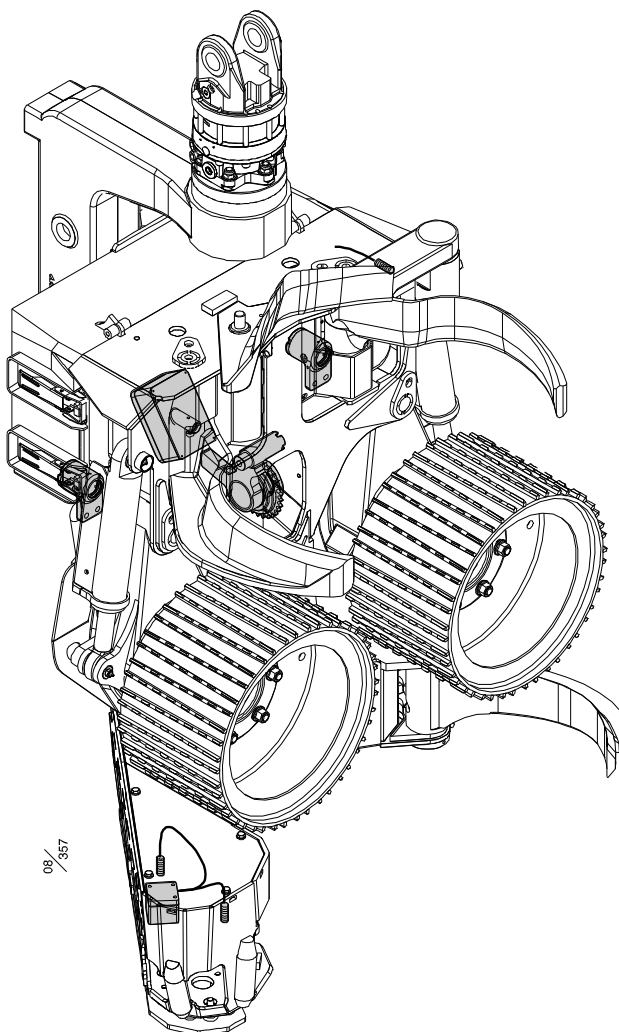


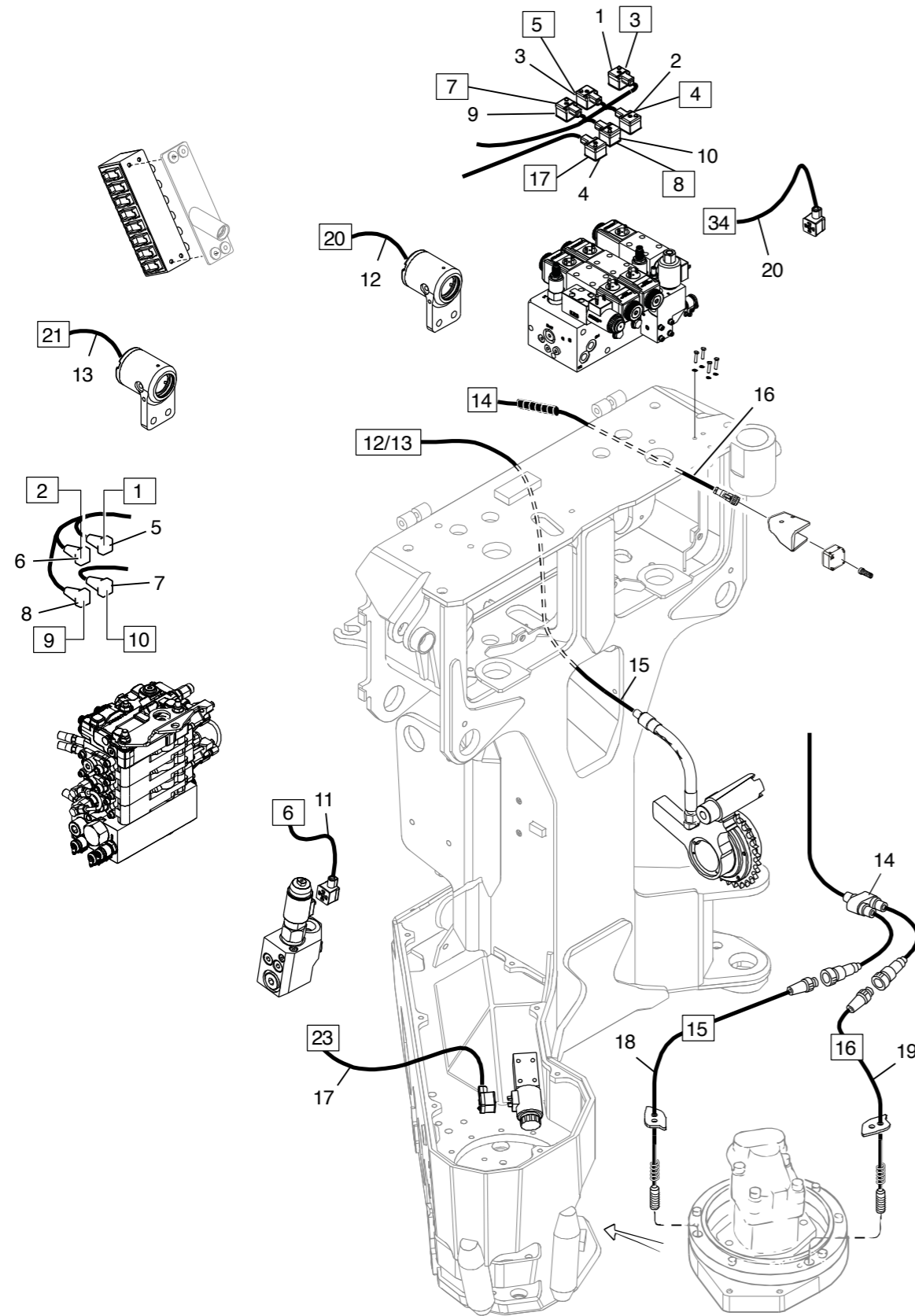
Log Max 5000D

Spare parts manual / Reservdelmanual

8. Electrical system / Elsystem



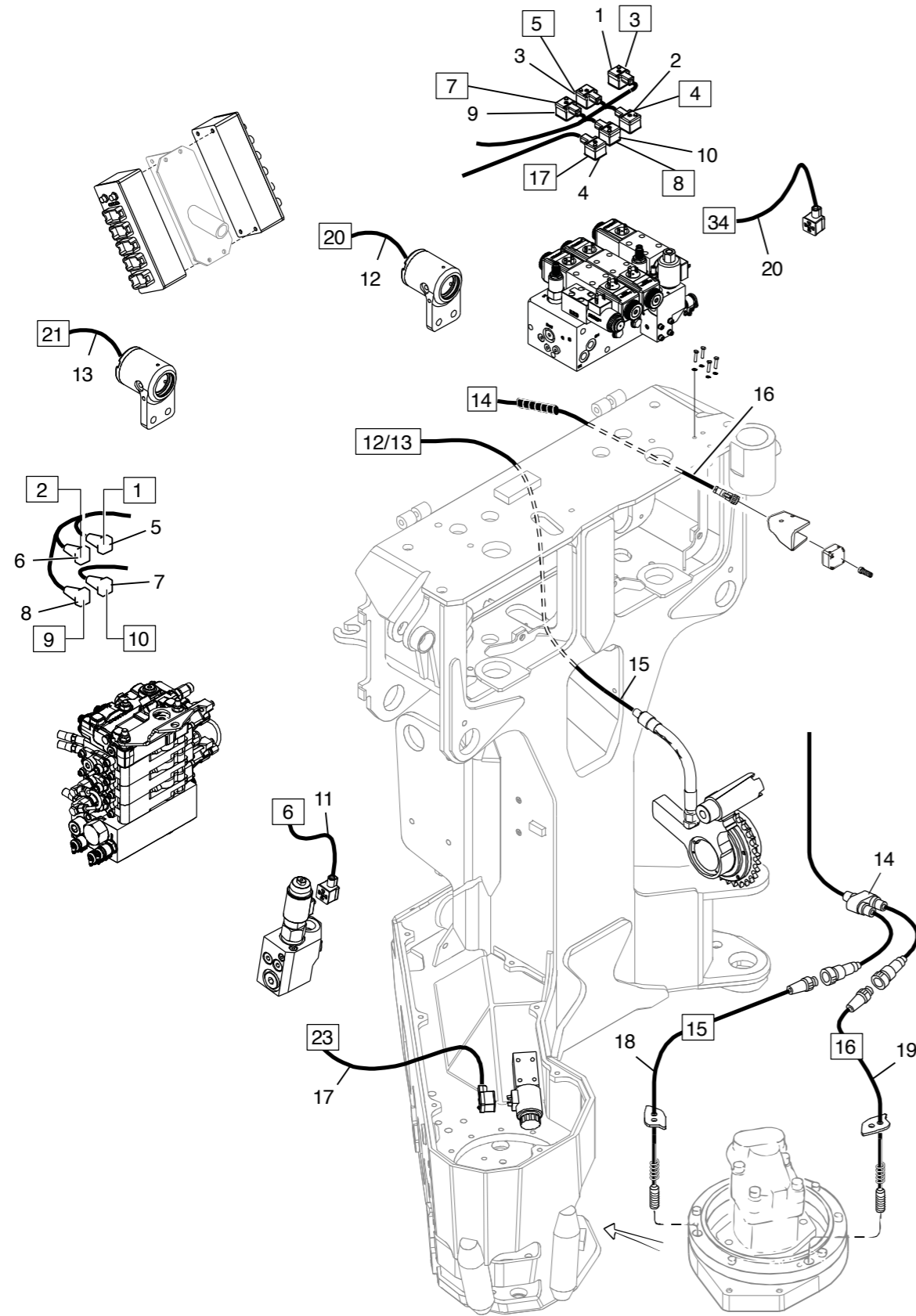
ELECTRICAL SYSTEM #2 / ELSYSTEM #2



08/047

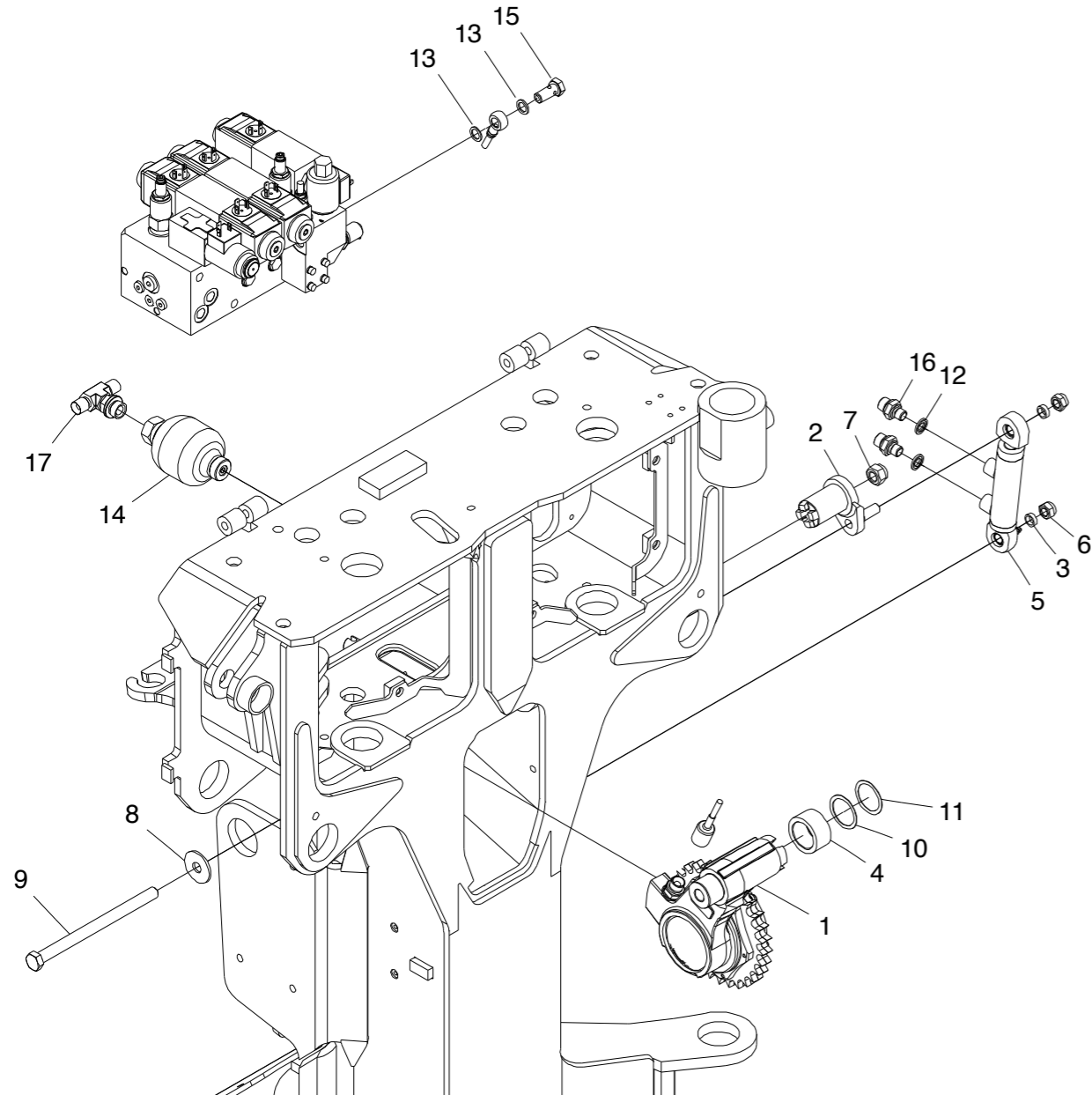
Log Max 5000D - Log Mate 510

Bild 08/047	LOG MATE 510 #2 / LOG MATE 510 #2					Struktur 035125-2- KABE
	Item / Position	Part no/ Art nr	Qty./ Antal	Serial no/ Serienr.	Description	
1	401232	1	150446-	Cable	Kabel	"3"
2	401232	1	- " -	Cable	Kabel	"4"
3	401232	1	- " -	Cable	Kabel	"5"
4	401232	1	- " -	Cable	Kabel	"17"
5	401296	1	- " -	Cable	Kabel	"1"
6	401296	1	- " -	Cable	Kabel	"2"
7	401296	1	- " -	Cable	Kabel	"10"
8	401296	1	- " -	Cable	Kabel	"9"
9	401232	1	- " -	Cable	Kabel	"7"
10	401232	1	- " -	Cable	Kabel	"8"
11	401232	1	- " -	Cable	Kabel	"6"
12	402571	1	- " -	Cable	Kabel	"20"
13	402571	1	- " -	Cable	Kabel	"21"
14	017324	1	- " -	Cable	Kabel	
15	402580	1	- " -	Cable	Kabel	"12/13"
16	402551	1	- " -	Cable	Kabel	"14"
17	401232	1	- " -	Cable	Kabel	"23"
18	017283	1	- " -	Sensor	Givare	"15"
19	017283	1	- " -	Sensor	Givare	"16"
20	401232	1	- " -	Cable	Kabel	"34"



08/
048

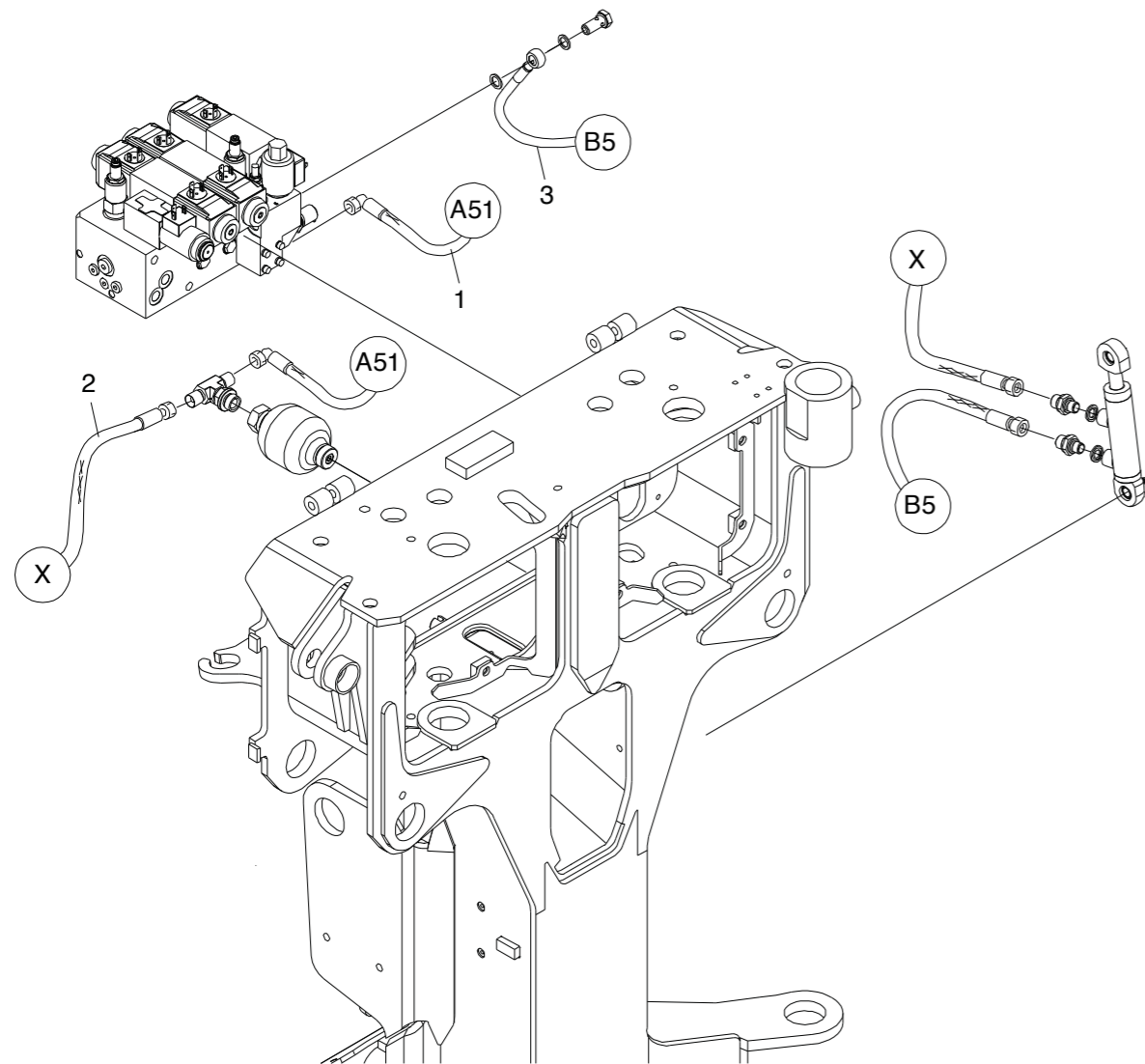
Bild 08/048	DASA FORESTER #2 / DASA FORESTER #2					Struktur 035127-2- KABE
Item / Position	Part no/ Art nr	Qty./ Antal	Serial no/ Serienr.	Description	Beskrivning	Notes/ Anmärkning
1	401232	1	150446-	Cable	Kabel	"3"
2	401232	1	- " -	Cable	Kabel	"4"
3	401232	1	- " -	Cable	Kabel	"5"
4	401232	1	- " -	Cable	Kabel	"17"
5	401296	1	- " -	Cable	Kabel	"1"
6	401296	1	- " -	Cable	Kabel	"2"
7	401296	1	- " -	Cable	Kabel	"10"
8	401296	1	- " -	Cable	Kabel	"9"
9	401232	1	- " -	Cable	Kabel	"7"
10	401232	1	- " -	Cable	Kabel	"8"
11	401232	1	- " -	Cable	Kabel	"6"
12	402573	1	- " -	Cable	Kabel	"20"
13	402573	1	- " -	Cable	Kabel	"21"
14	017324	1	- " -	Cable	Kabel	
15	402580	1	- " -	Cable	Kabel	"12/13"
16	402554	1	- " -	Cable	Kabel	"14"
17	401232	1	- " -	Cable	Kabel	"23"
18	017283	1	- " -	Sensor	Givare	"15"
19	017283	1	- " -	Sensor	Givare	"16"
20	401232	1	- " -	Cable	Kabel	"34"



08/035

Log Max - Measuring wheel assembly

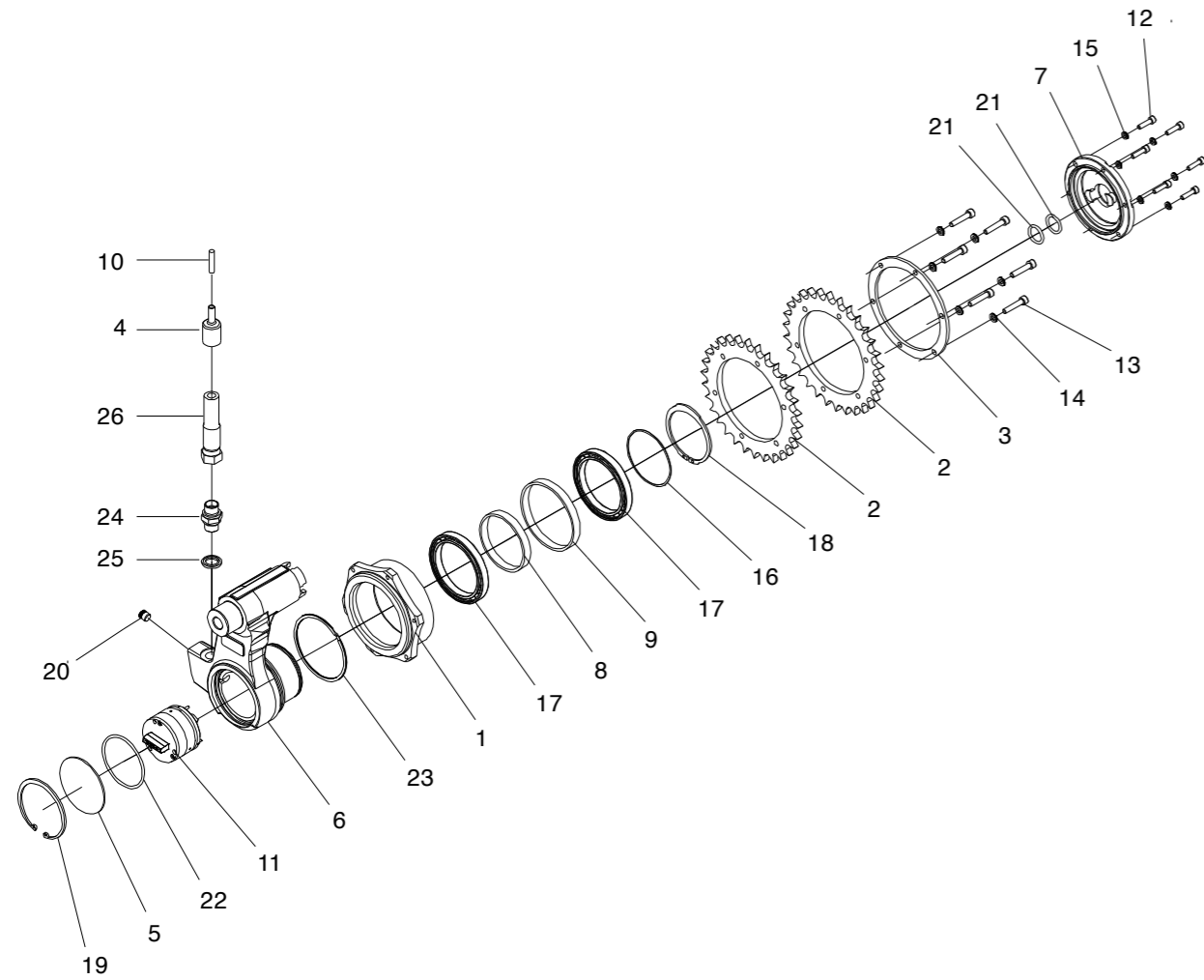
Bild 08/035	MEASURING WHEEL #2 / MÄTHJUL #2					Struktur 005543-MONT
Item / Position	Part no/ Art nr	Qty./ Antal	Serial no/ Serienr.	Description	Beskrivning	Notes/ Anmärkning
1	005543-MONT	1	150446-	Measuring wheel cmpl.	Mäthjul kmpl.	
2	015168	1	-"	Driver	Medbringare	
3	010170	2	-"	Spacer	Distans	
4	012181	1	-"	Spacer	Distans	
5	015462	1	-"	Hydraulic cylinder	Hydraulcylinder	Ø 25/16 – 45
6	502056	2	-"	Nut	Mutter	M12 Locking Low / Låg
7	502076	1	-"	Nut	Mutter	M14 Locking High / Hög
8 ¹	503020	1	-"	Washer	Bricka	SRKB FZB 14x42x3.0
9	505076	1	-"	Screw	Skruv	M6S M14x200 10.9 OBH
10	507002	Req / Erf	-"	Shim	Shims	36x45x0.5
11	507003	Req / Erf	-"	Shim	Shims	36x45x0.3
12	601101	2	-"	Bonded seal	Tredbricka	1/4"
13	601200	2	-"	Copper seal	Kopparbricka	13x19x1.5
14	610120	1	-"	Accumulator	Ackumulator	0.16 L – 0 bar Empty / Oladdad
	610113	1	-"	Accumulator	Ackumulator	0.16 L – 65 bar Loaded / Laddad
15	601068	1	-"	Banjo screw	Banjoskruv	1/4"
16	601029	2	-"	Adapter	Adapter	R 1/4" UF – R 3/8" UF
17	601024	1	-"	T – adapter	T – adapter	BSP – 06 / – 08 / – 06 UF / UM / UF



08/042

Log Max - Hose kit measuring wheel

Bild 08/042	HOSE KIT MEASURING WHEEL #2 / SLANGSATS MÄTHJUL #2					Struktur 005543-MONT
Item / Position	Part no/ Art nr	Qty./ Antal	Serial no/ Serienr.	Description	Beskrivning	Notes/ Anmärkning
1	643154	1	150446-	Hydraulic hose	Hydraulslang	
2	643155	1	- " -	Hydraulic hose	Hydraulslang	
3	643156	1	- " -	Hydraulic hose	Hydraulslang	



08/036

Log Max - Length measuring arm

Bild 08/036	LENGTH MEASURING ARM #2 / LÄNGDMÄTNINGSARM #2					Struktur 005543-MONT
	Item / Position	Part no/ Art nr	Qty./ Antal	Serial no/ Serienr.	Description	
1	012965	1	150446-	Hub	Nav	
2	012974	2	-"	Wheel rim	Hjulbana	5/8"x162
3	012976	1	-"	Spacer	Distans	
4	015113	1	-"	Shrink hose	Krympslang	
5	015443	1	-"	Cover	Lock	
6	016089	1	-"	Measuring wheel arm	Måthjulsarm	
7	017700	1	-"	Cover	Lock	
8	017701	1	-"	Spacer	Distansring	Inner / Inre
9	017702	1	-"	Spacer	Distansring	Outer / Yttre
10	401025	1	-"	Cable	Kabel	Pur / Pur 4x0.5
11	401228	1	-"	Encoder	Pulsgivare	500 ppr Log Mate 500 Dasa Forester
12	501029	6	-"	Screw	Skruv	MC6S M5x20 12.9
13	501049	6	-"	Screw	Skruv	MC6S M6x30 12.9
14	503065	6	-"	Washer	Bricka	M6 Nordlock
15	503066	6	-"	Washer	Bricka	M5 Nordlock
16	507066	Req / Erf	-"	Shim	Shims	70.1x74.1x0.5
17	508051	2	-"	Bearing	Lager	61814 – 2RS
18	517068	1	-"	Circlip	Låsring	SGA 70
19	517254	1	-"	Circlip	Låsring	SGH 75
20	519056	1	-"	Expander rivet	Expanderplugg	10x10
21	540116	2	-"	O-ring	O-ring	22.2x3.0
22	540130	1	-"	O-ring	O-ring	67x3.0
23	546002	1	-"	Seal ring	Tättningsring	
24	601032	1	-"	Adapter	Adapter	BSP – 06
25	601102	1	-"	Bonded seal	Tredobricka	3/8"
26	643058	1	-"	Hydraulic hose	Hydraulslang	

ELECTRICAL SYSTEMS / ELSYSTEM

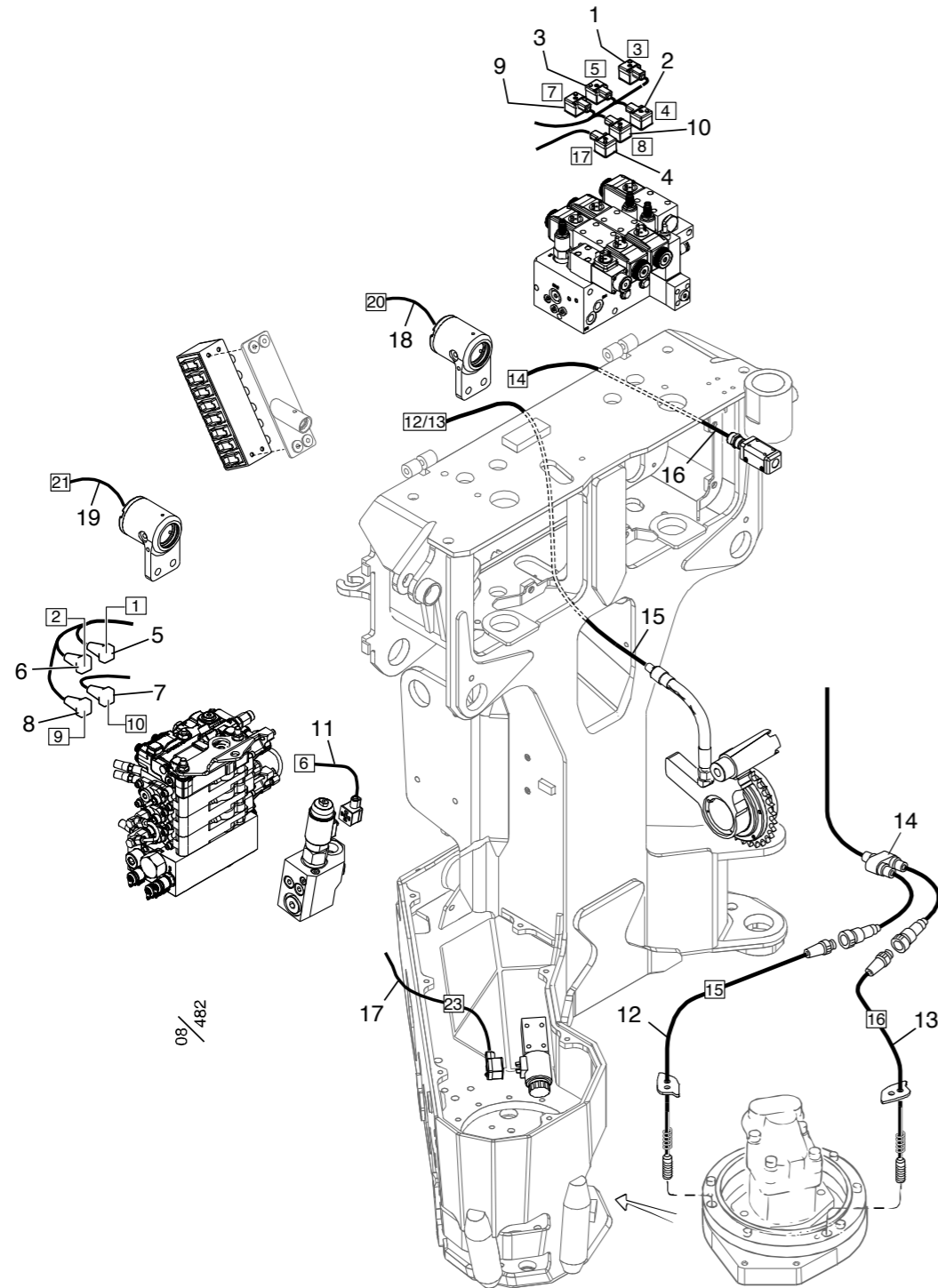


Bild 08/482	LOG MATE 500 / LOG MATE 500					Struktur 035125- KABEL
Item / Position	Part no/ Art nr	Qty./ Antal	Serial no/ Serienr.	Description	Beskrivning	Notes/ Anmärkning
1	401232	1	150398-	Cable	Kabel	"3"
2	401232	1	- " -	Cable	Kabel	"4"
3	401232	1	- " -	Cable	Kabel	"5"
4	401232	1	- " -	Cable	Kabel	"17"
5	401296	1	- " -	Cable	Kabel	"1"
6	401296	1	- " -	Cable	Kabel	"2"
7	401296	1	- " -	Cable	Kabel	"10"
8	401296	1	- " -	Cable	Kabel	"9"
9	401232	1	- " -	Cable	Kabel	"7"
10	401232	1	- " -	Cable	Kabel	"8"
11	401232	1	- " -	Cable	Kabel	"6"
12	017283	1	- " -	Cable	Kabel	"15"
13	017283	1	- " -	Cable	Kabel	"16"
14	017324	1	- " -	Cable	Kabel	
15	402580	1	- " -	Cable	Kabel	"12/13"
16	401151	1	- " -	Sensor cmpl.	Sensor kmpl.	"14"
17	401232	1	- " -	Cable	Kabel	"23"
18	402573	1	- " -	Cable	Kabel	"20"
19	402573	1	- " -	Cable	Kabel	"21"

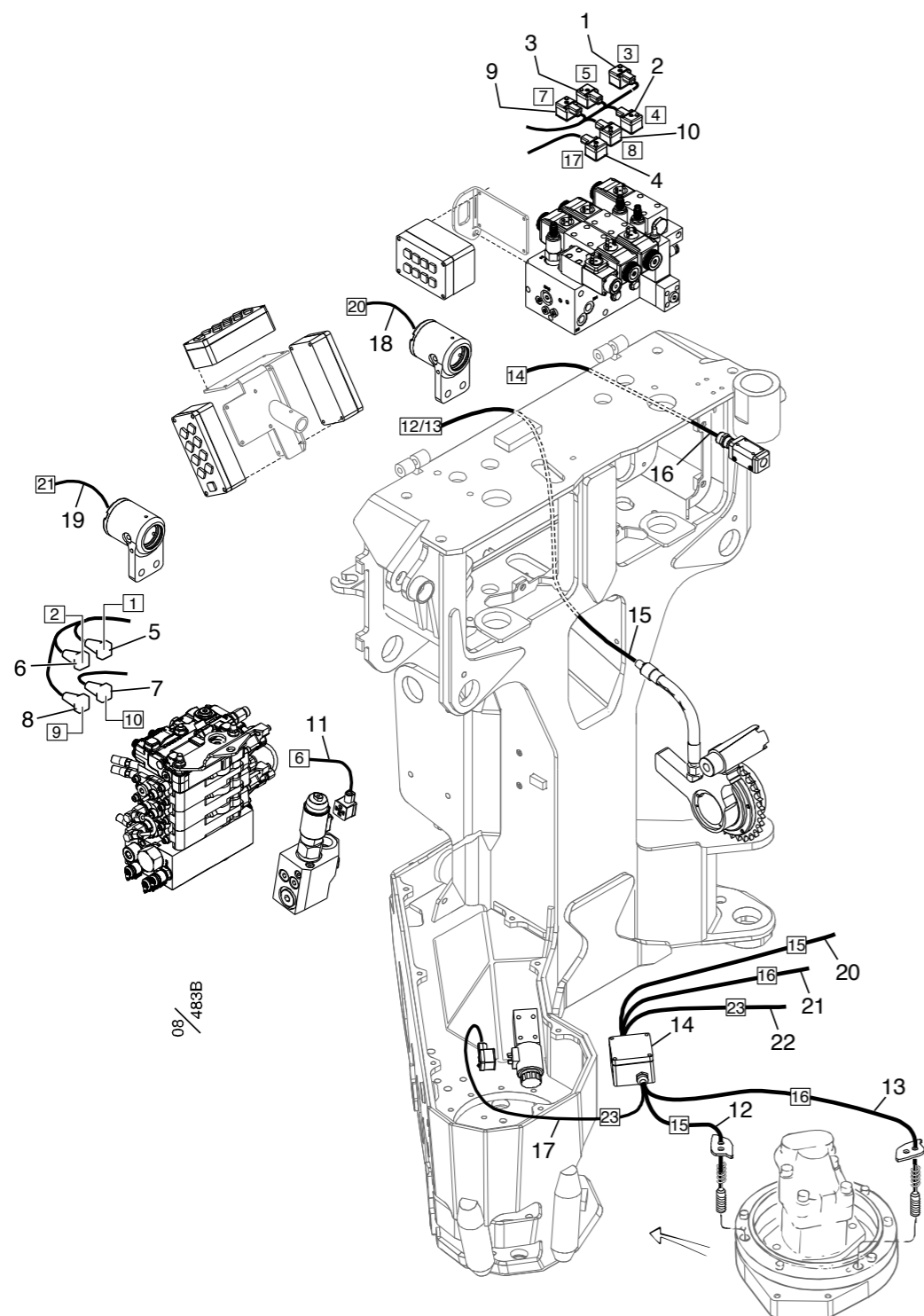


Bild 08/483		DASA 4 & CABSWIN / DASA 4 & CABSWIN				Struktur 005527-KABEL
Item / Position	Part no/ Art nr	Qty./ Antal	Serial no/ Serienr.	Description	Beskrivning	Notes/ Anmärkning
1	014157	1	150398-	Cable	Kabel	"3"
2	014158	1	- " -	Cable	Kabel	"4"
3	014159	1	- " -	Cable	Kabel	"5"
4	014300	1	- " -	Cable	Kabel	"17"
5	014298	1	- " -	Cable	Kabel	"1"
6	014299	1	- " -	Cable	Kabel	"2"
7	014174	1	- " -	Cable	Kabel	"10"
8	014173	1	- " -	Cable	Kabel	"9"
9	014160	1	- " -	Cable	Kabel	"7"
10	014161	1	- " -	Cable	Kabel	"8"
11	014301	1	- " -	Cable	Kabel	"6"
12	016279	1	- " -	Magnetic sensor	Magnetgivare	"15"
13	016279	1	- " -	Magnetic sensor	Magnetgivare	"16"
14	402206	1	- " -	Connection box	Kopplingsbox	Lower / Nedre
15	401025	1	- " -	Cable	Kabel	"12/13"
16	401151	1	- " -	Sensor cmpl.	Sensor kmpl.	"14"
17	401027	1	- " -	Cable	Kabel	"23"
18	401250	1	- " -	Cable	Kabel	"20"
19	401250	1	- " -	Cable	Kabel	"21"
20	671174	1	- " -	Cable	Kabel	"15"
21	671175	1	- " -	Cable	Kabel	"16"
22	671176	1	- " -	Cable	Kabel	"23"

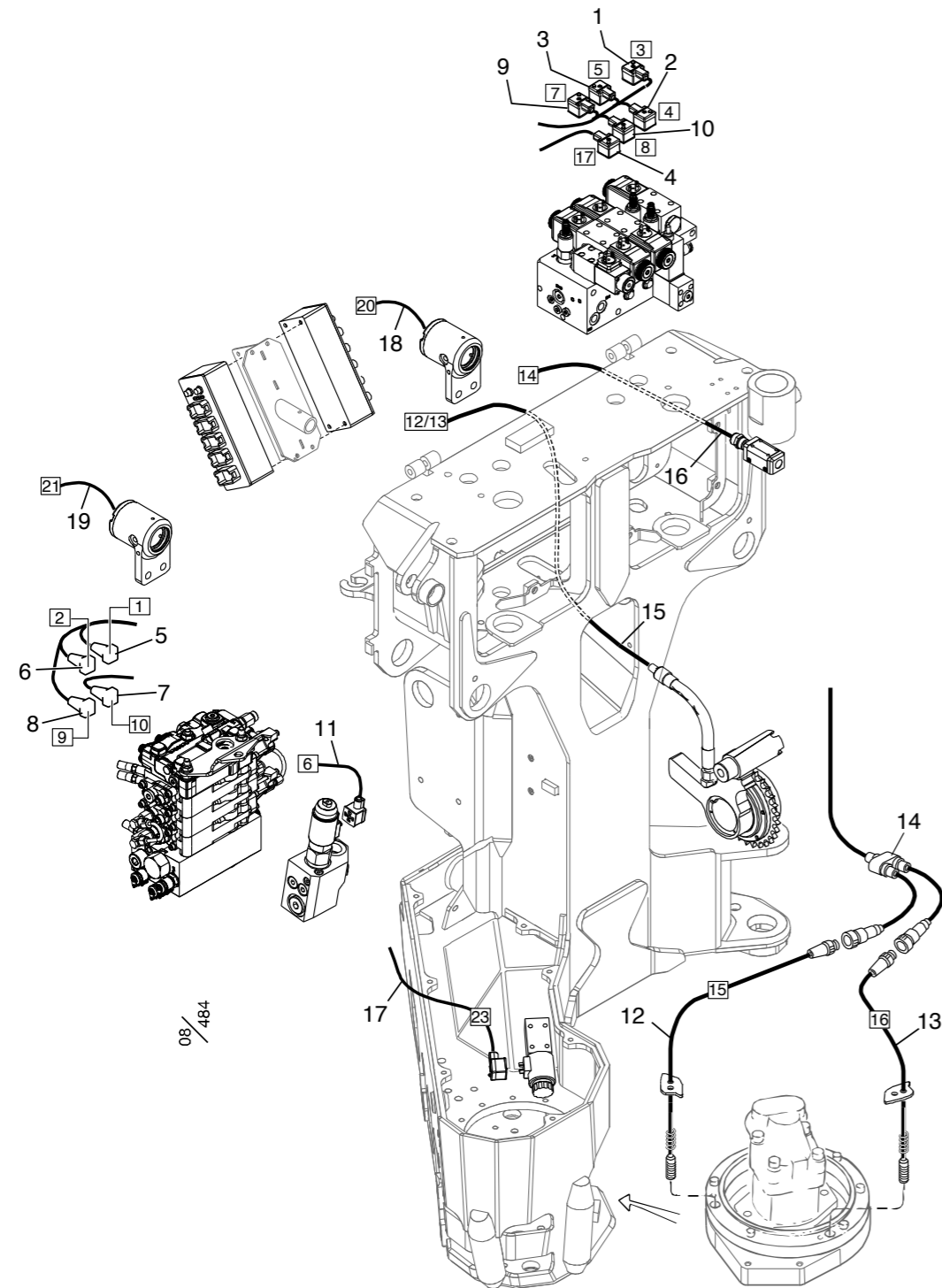


Bild 08/484	DASA FORESTER / DASA FORESTER					Struktur 035127- KABEL
Item / Position	Part no/ Art nr	Qty./ Antal	Serial no/ Serienr.	Description	Beskrivning	Notes/ Anmärkning
1	401232	1	150398-	Cable	Kabel	"3"
2	401232	1	-"	Cable	Kabel	"4"
3	401232	1	-"	Cable	Kabel	"5"
4	401232	1	-"	Cable	Kabel	"17"
5	401296	1	-"	Cable	Kabel	"1"
6	401296	1	-"	Cable	Kabel	"2"
7	401296	1	-"	Cable	Kabel	"10"
8	401296	1	-"	Cable	Kabel	"9"
9	401232	1	-"	Cable	Kabel	"7"
10	401232	1	-"	Cable	Kabel	"8"
11	401232	1	-"	Cable	Kabel	"6"
12	017283	1	-"	Magnetic sensor	Magnetgivare	"15"
13	017283	1	-"	Magnetic sensor	Magnetgivare	"16"
14	017324	1	-"	Cable	Kabel	
15	401025	1	-"	Cable	Kabel	"12/13"
16	401151	1	-"	Sensor cmpl.	Sensor kmpl.	"14"
17	401232	1	-"	Cable	Kabel	"23"
18	402573	1	-"	Cable	Kabel	"20"
19	402573	1	-"	Cable	Kabel	"21"

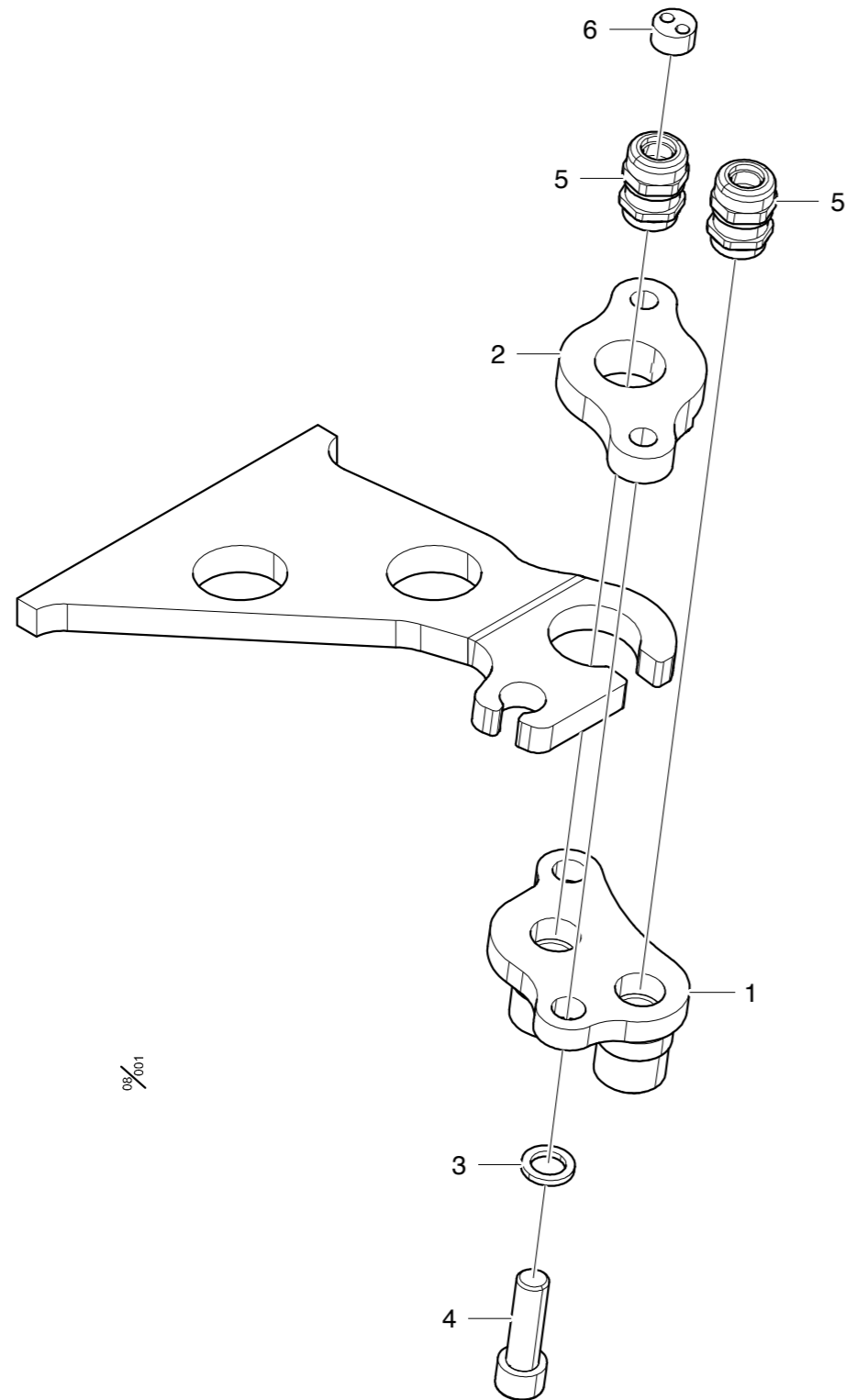
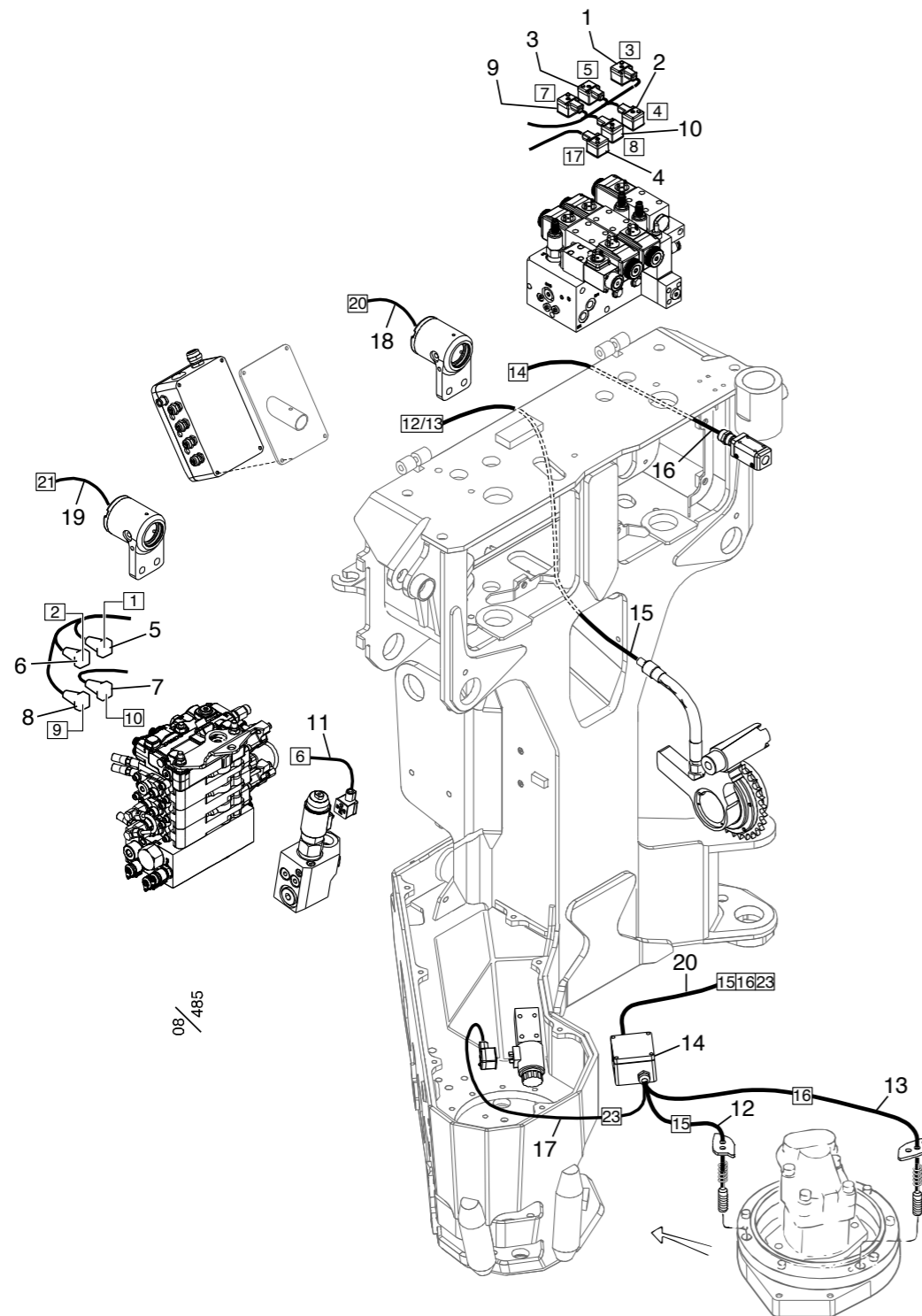
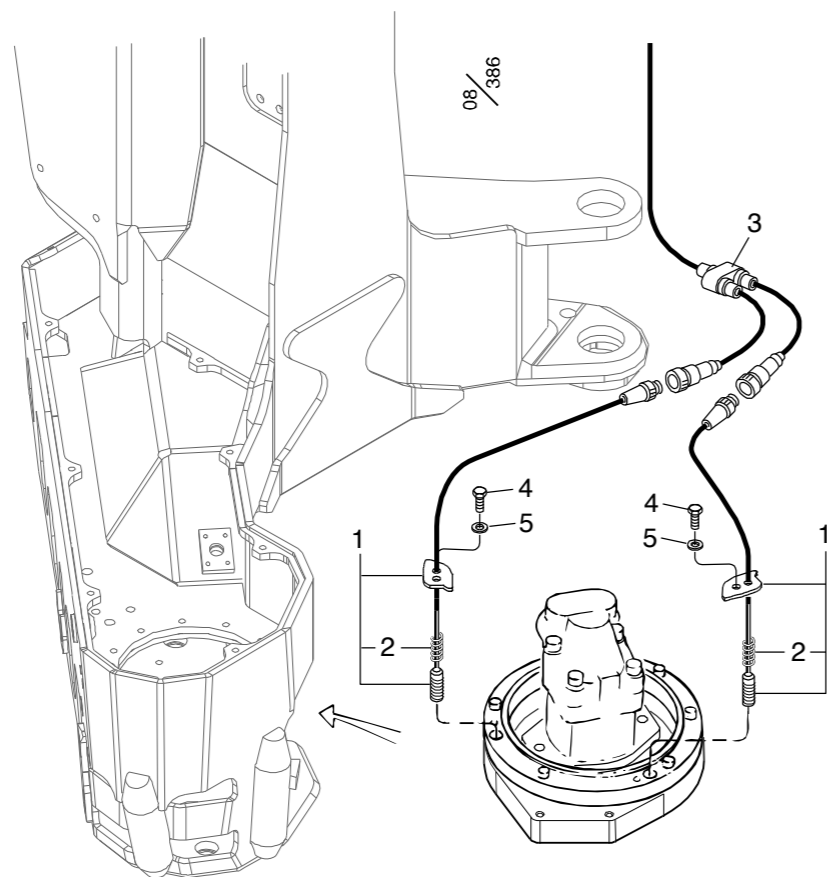


Bild 08/001	ECO LOG & ROTTNE DASA FORESTER / ECO LOG & ROTTNE DASA FORESTER					Struktur 032250
Item / Position	Part no/ Art nr	Qty./ Antal	Serial no/ Serienr.	Description	Beskrivning	Notes/ Anmärkning
1	018070	1	150398-	Plate	Fästplåt	
2	018071	1	-"-	Plate	Fästplåt	
3	503060	2	-"-	Washer	Bricka	M12 Nordlock
4	501111	2	-"-	Screw	Skruv	MC6S M12x40 12.9
5	401152	2	-"-	Cable sleeve	Kabelförskruvning	M20x1.5
6	401776	1	-"-	Cable sealing	Kabeltätning	M20



08/485

Bild 08/485	IT/PC & VU / IT/PC & VU					Struktur 005535- KABEL
Item / Position	Part no/ Art nr	Qty./ Antal	Serial no/ Serienr.	Description	Beskrivning	Notes/ Anmärkning
1	401232	1	150398-	Cable	Kabel	"3"
2	401232	1	- " -	Cable	Kabel	"4"
3	401232	1	- " -	Cable	Kabel	"5"
4	401232	1	- " -	Cable	Kabel	"17"
5	401296	1	- " -	Cable	Kabel	"1"
6	401296	1	- " -	Cable	Kabel	"2"
7	401296	1	- " -	Cable	Kabel	"10"
8	401296	1	- " -	Cable	Kabel	"9"
9	401232	1	- " -	Cable	Kabel	"7"
10	401232	1	- " -	Cable	Kabel	"8"
11	401232	1	- " -	Cable	Kabel	"6"
12	016279	1	- " -	Magnetic sensor	Magnetgivare	"15"
13	016279	1	- " -	Magnetic sensor	Magnetgivare	"16"
14	402203	1	- " -	Connection box	Kopplingsbox	Lower / Nedre
15	401025	1	- " -	Cable	Kabel	"12/13"
16	401151	1	- " -	Sensor compl.	Sensor kmpl.	"14"
	013007	1	- " -	Magnetic sensor	Magnetgivare	Only / Endast IT/PC
17	401232	1	- " -	Cable	Kabel	"23"
18	401250	1	- " -	Cable	Kabel	"20"
19	401250	1	- " -	Cable	Kabel	"21"
20	401073	1	- " -	Cable	Kabel	"15", "16", "23"



Item / Position	Part no/ Art nr	Qty./ Antal	Serial no/ Serienr.	Description	Beskrivning	Notes/ Anmärkning
ELECTRICAL SYSTEM SAW UNIT 98 / ELSYSTEM SÄGENHET 98 Log Mate 500 & Dasa Forester / Log Mate 500 & Dasa Forester						
Bild 08/386						Struktur 005532D
1 ¹	017283	2	150398-	Magnetic sensor	Magnetgivare	
2	526030 ¹	2	- " -	Spring	Fjäder	
3	017324	1	- " -	Cable	Kabel	
4	501043	2	- " -	Screw	Skruv	MC6S M6x12 12.9
5	503065	2	- " -	Washer	Bricka	M6 Nordlock
¹ Included in Magnetic sensor / ¹ Ingår i Magnetgivare						

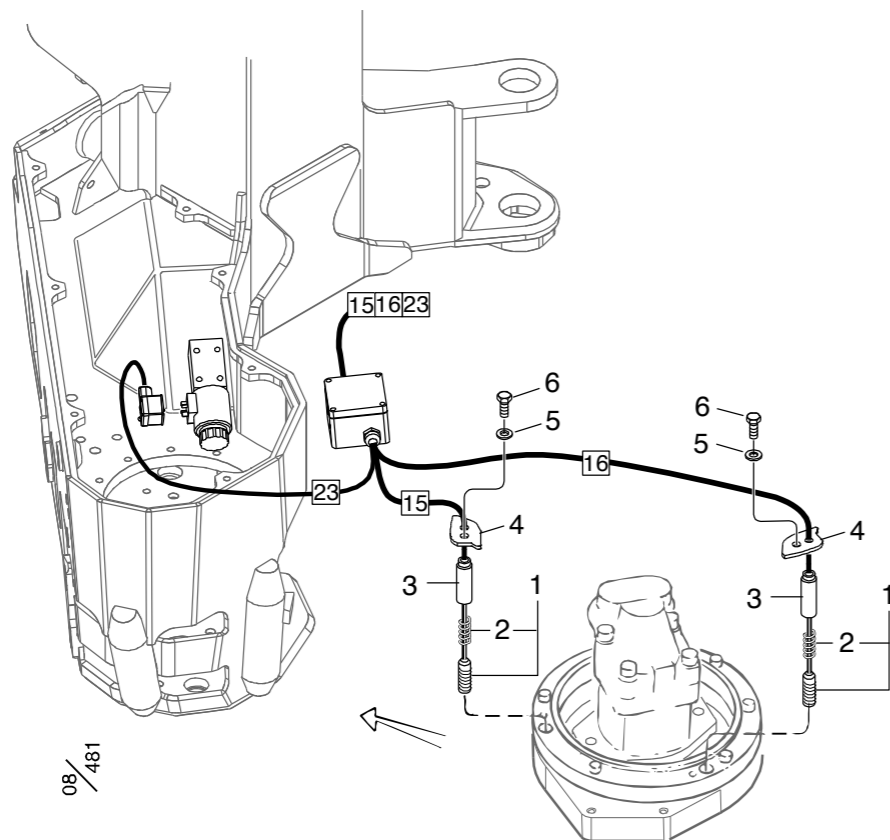
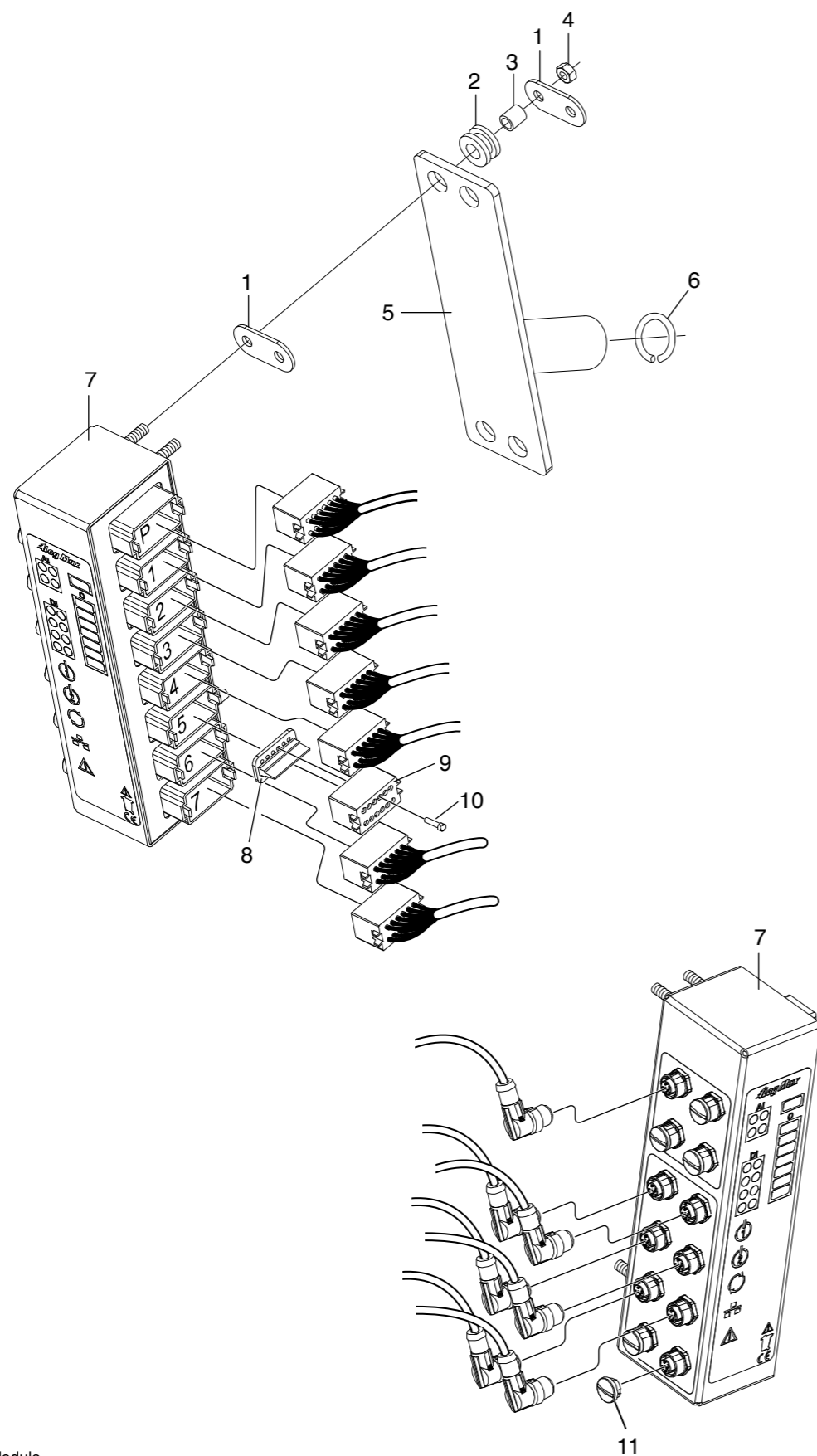


Bild 08/481	ELECTRICAL SYSTEM SAW UNIT 98 / ELSYSTEM SÅGENHET 98 Dasa4/Cabswin & IT/PC & VU / Dasa4/Cabswin & IT/PC & VU						
	Item / Position	Part no/ Art nr	Qty./ Antal	Serial no/ Serienr.	Description	Beskrivning	Notes/ Anmärkning
	1 ¹	016279	2	150398-	Magnetic sensor	Magnetgivare	
	2	526015 ¹	2	- " -	Spring	Fjäder	
	3	016317	2	- " -	Sleeve	Hylsa	
	4	016531	2	- " -	Plate	Låsbleck	
	5	503065	2	- " -	Washer	Bricka	M6 Nordlock
	6	501043	2	- " -	Screw	Skruv	MC6S M6x12 12.9
¹ Included in Magnetic sensor / ¹ Ingår i Magnetgivare							

FASTENER / FÄSTELEMENT



08/
026

Log Mate 510 Head Module

Bild 08/026	FASTENER LOG MATE 510 / FÄSTELEMENT LOG MATE 510					Struktur
Item / Position	Part no/ Art nr	Qty./ Antal	Serial no/ Serienr.	Description	Beskrivning	Notes/ Anmärkning
1	016852	4	150400-	Washer	Bricka	
2	402059	4	-"-	Rubber bushing	Gummibussning	
3	402585	4	-"-	Spacer	Distans	6x10 – 9
4	502053	4	-"-	Nut	Mutter	M6 Locking FZB
5	016854	1	-"-	Bracket	Fäste	
6	517004	1	-"-	Circlip	Låsring	
7	402610	1	-"-	Term box	Kopplingsbox	
8	402086	Req / Erf	-"-	Wedge	Låskil	DT06 12 – POL
9	402080	Req / Erf	-"-	Connector	Kontakt	DT06 – 12SBCE05
10	402077	Req / Erf	-"-	Plug	Blindplugg	White / Vit
11	401310	Req / Erf	-"-	Cover	Skyddslock	M12 Female / Hona

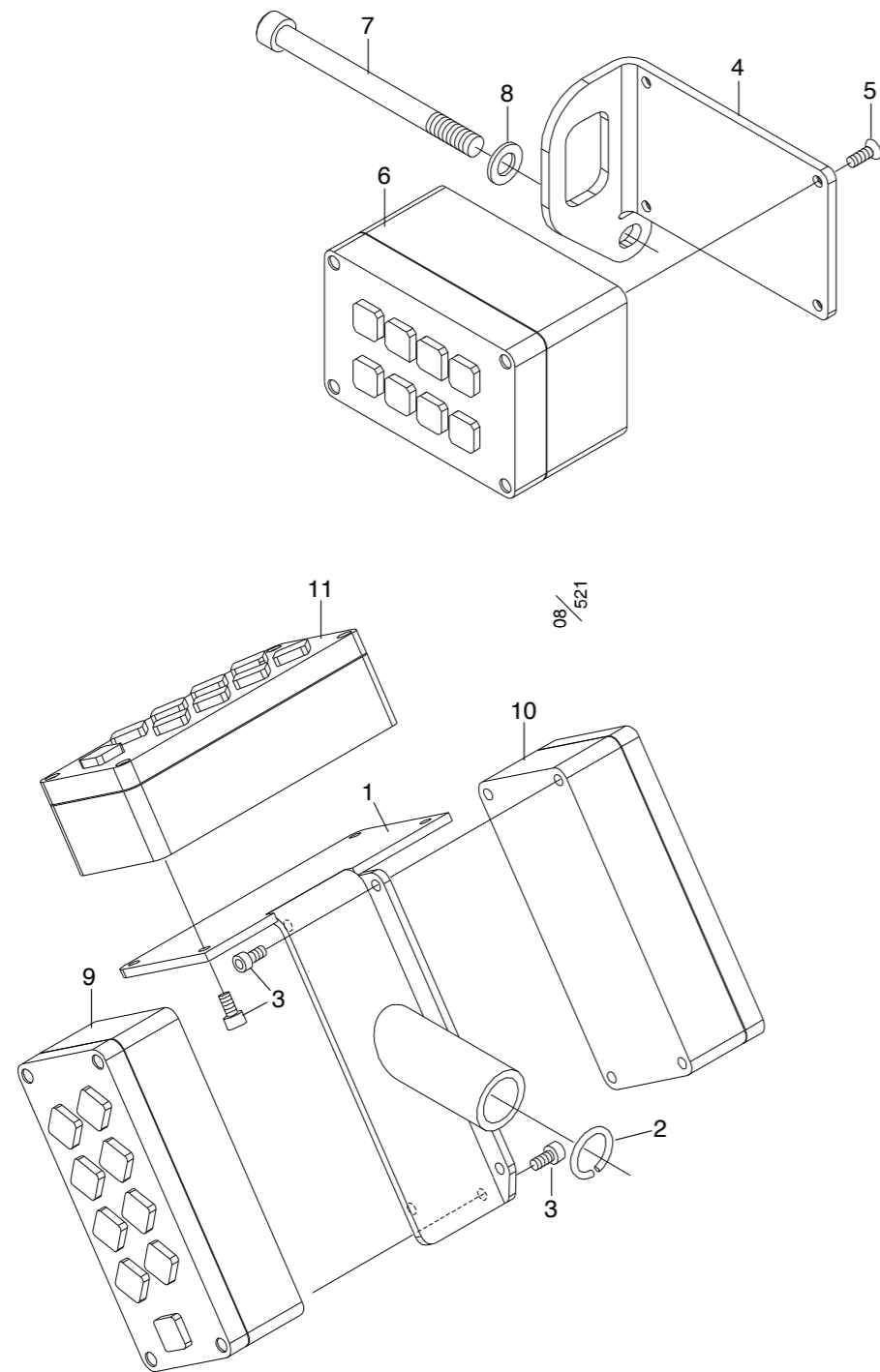


Bild 08/521	DASA 4 & CABSWIN / DASA 4 & CABSWIN					Struktur 033543 033545
Item / Position	Part no/ Art nr	Qty./ Antal	Serial no/ Serienr.	Description	Beskrivning	Notes/ Anmärkning
1	014363	1	150398-	Bracket	Fäste	
2	517004	1	- " -	Lock ring	Låsring	
3	501045	10	- " -	Screw	Skruv	MC6S M5x16 12.9
4	014250	1	- " -	Bracket	Fäste	
5	504019	4	- " -	Screw	Skruv	MF6S M5x16 10.9
6	7032410	1	- " -	Box yellow	Box gul	D4CU
7	501104	1	- " -	Screw	Skruv	MC6S M10x140 12.9
8	503057	1	- " -	Washer	Bricka	M10 Nordlock
9	7009847	1	- " -	Box red	Box röd	D4I8
10	7009845	1	- " -	Box blue	Box blå	D408D
11	7009846	1	- " -	Box green	Box grön	D408A

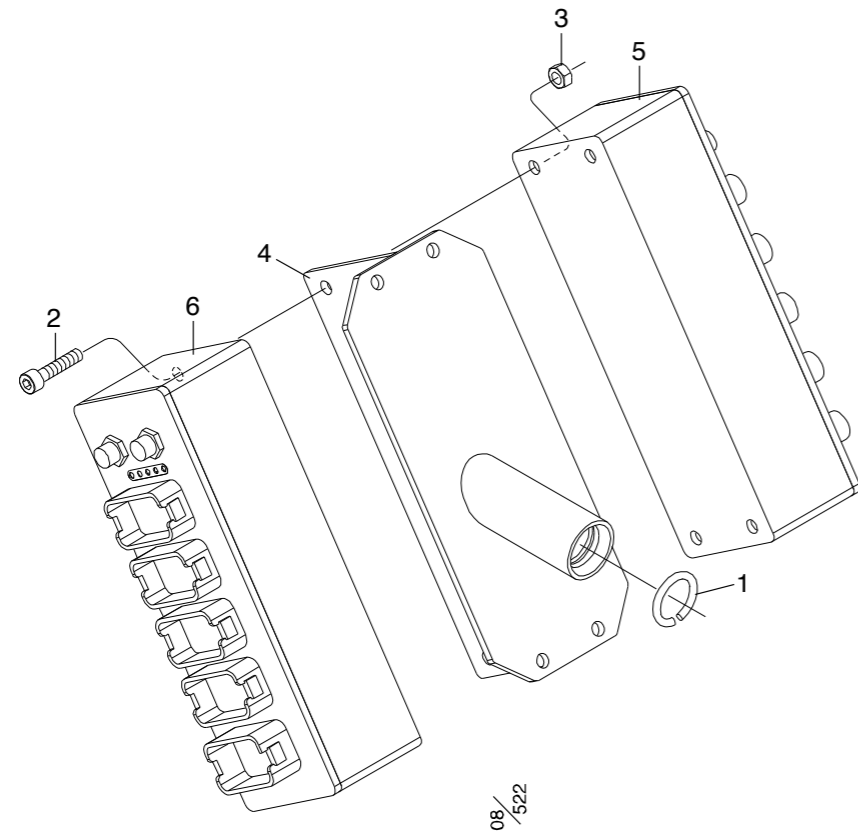


Bild 08/522	DASA FORESTER / DASA FORESTER					Struktur 035127
Item / Position	Part no/ Art nr	Qty./ Antal	Serial no/ Serienr.	Description	Beskrivning	Notes/ Anmärkning
1	517004	1	150398-	Lock ring	Låsring	
2	501049	4	- " -	Screw	Skruv	MC6S M6x30 12.9
3	502053	4	- " -	Nut	Mutter	M6 Locking FZB
4	017555	1	- " -	Bracket	Fäste	
5	7037701-R	1	- " -	Input box	Ingångsbox	Red / Röd
6	7037700-R	1	- " -	Output box	Utgångsbox	Green / Grön

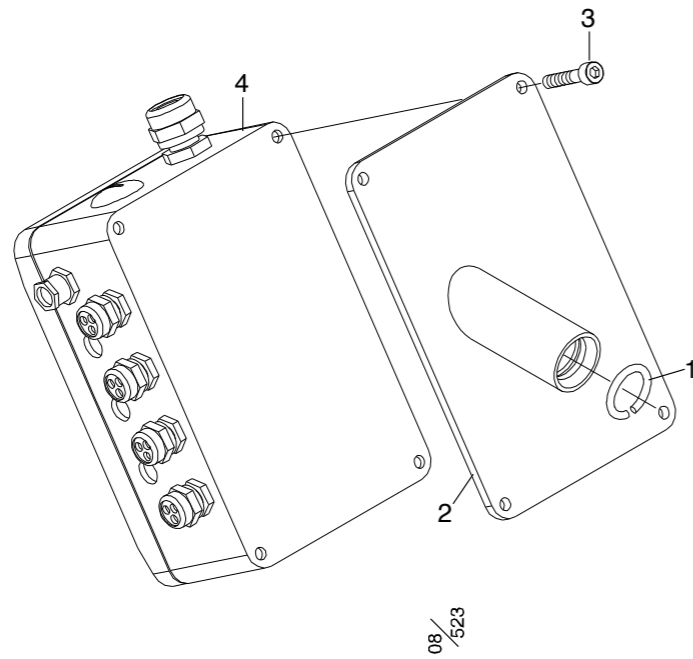


Bild 08/523	IT/PC & VU / IT/PC & VU					Struktur 033544 033579
	Item / Position	Part no/ Art nr	Qty./ Antal	Serial no/ Serienr.	Description	
1	517004	1	150398-	Lock ring	Låsring	
2	014360	1	- " -	Bracket	Fäste	
3	501015	4	- " -	Screw	Skruv	MC6S M4x16 12.9
4	402205	1	- " -	Term. box	Ellåda	

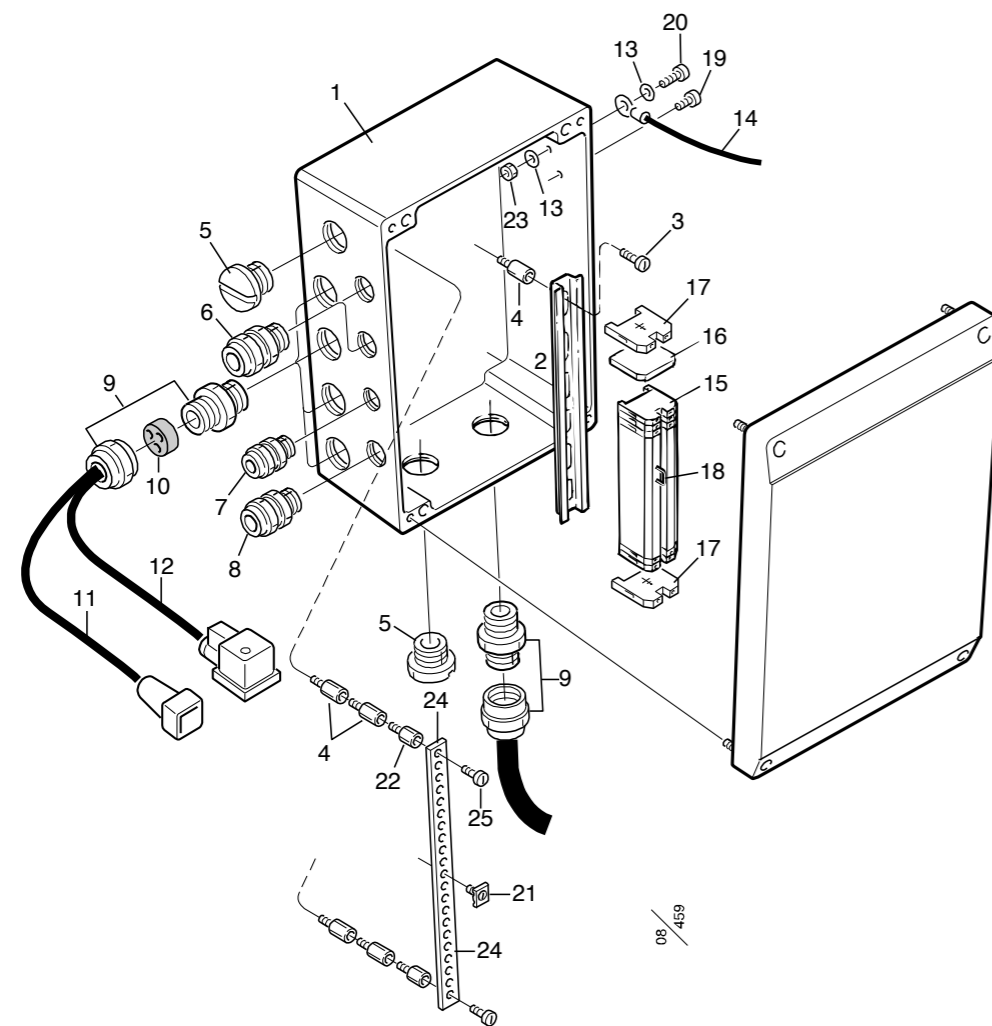
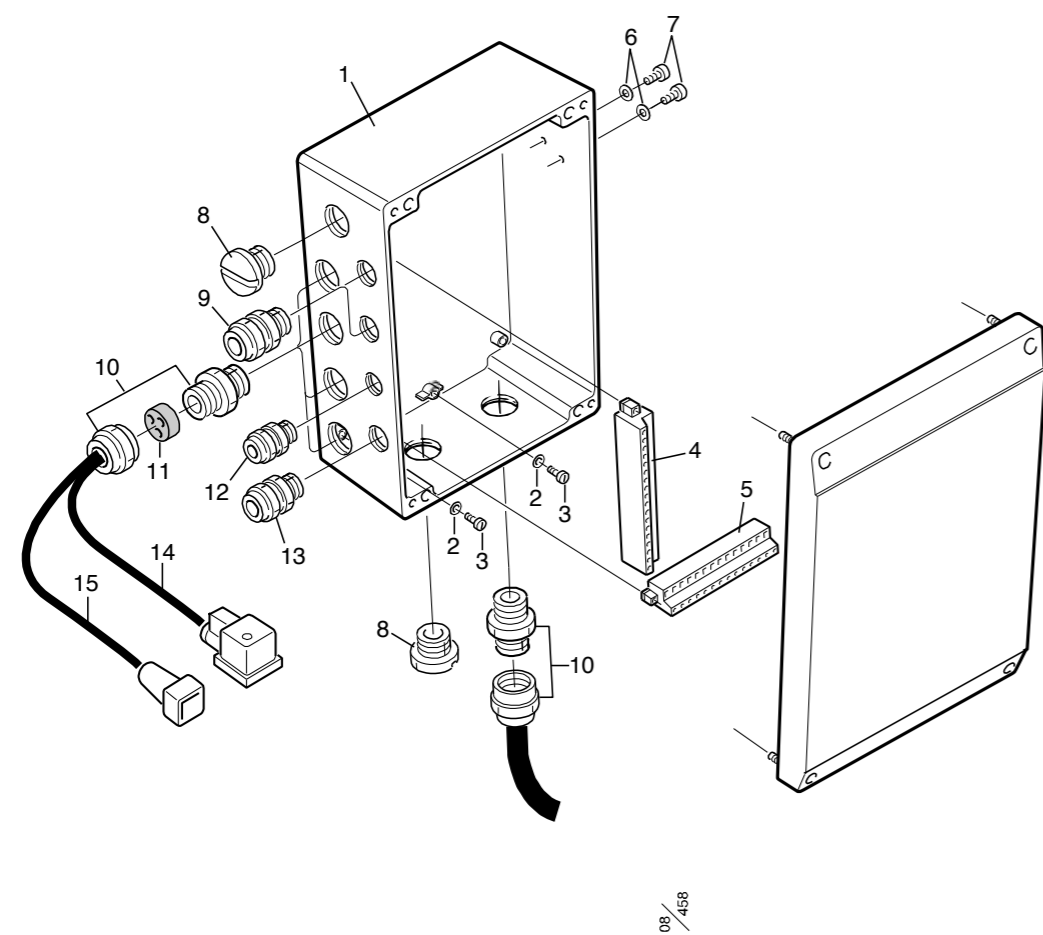


Bild 08/459	CONNECTION BOX VU / KOPPLINGSBOX VU					Struktur 033548
Item / Position	Part no/ Art nr	Qty./ Antal	Serial no/ Serienr.	Description	Beskrivning	Notes/ Anmärkning
1 ¹	402205	1	150398-	Term. box	Ellåda	
2	013207	1	-"	Terminal cmpl	Kopplingsplint kompl	
2	401054 ²	1	-"	Rail	Skena	TS15 L=200 mm
3	500513	2	-"	Screw	Skruv	MCS 4x5
4	402014	6	-"	Spacer	Distansskruv	M4x15
5	401071 ¹	2	-"	Plug	Propp	PG 16
6 ³	401060 ¹	2	-"	Cable sleeve	Kabelförskr.	PG 7
	401282 ³	2	-"	Reducer	Reducering	PG11 – PG 7
7	401060 ¹	1	-"	Cable sleeve	Kabelförskr.	PG 7
8	401093 ¹	1	-"	Cable sleeve	Kabelförskr.	PG 9
9	401157 ¹	5	-"	Cable sleeve	Kabelförskr.	PG 16
10	401096 ¹	4	-"	Cable sealing	Kabeltätning	PG 16 3x6 mm
11	401296	4	-"	Cable with connector	Kabel med kontakt	L-90
12	401232	7	-"	Cable with connector	Kabel med kontakt	1.5 m
13	503003	2	-"	Washer	Bricka	BRB FZB 5.3x10x1.0
14	012605	1	-"	Ground wire	Jordkabel	
15	401051 ²	26	-"	Terminal	Radklämma	AKZ 2.5
16	401052 ²	1	-"	End cover	Ändplatta	AKZ 2.5
17	401101 ²	4	-"	Ground connector	Jordklämma	Yellow – Green / Gul – Grön
18	401058 ²	1	-"	Jumper	Bygling	AKZ 4
19	500530	1	-"	Screw	Skruv	MCS 5x6
20	500532	2	-"	Screw	Skruv	MCS 5x10
21	401254	7	-"	Ground connection	Jordnings – överfall	
22	402013	2	-"	Spacer	Distansskruv	M4x5
23	502003	1	-"	Nut	Mutter	M6M M5
24	401253	1	-"	Rail	Skena	Cu 12x3
25	500560	2	-"	Screw	Skruv	MCS 4x8

¹Included in Term. box / ¹Ingår i Ellåda.

²Included in Terminal cmpl./ ²Ingår i Kopplingsplint kompl.

³Assembled with part no 401060. / ³Monterad med art nr 401060.



08/458

Bild 08/458	TERMINAL BOX IT/PC / KOPPLINGSBOX IT/PC					Struktur 033544
Item / Position	Part no/ Art nr	Qty./ Antal	Serial no/ Serienr.	Description	Beskrivning	Notes/ Anmärkning
1 ¹	402205	1	150398-	Term. box	Ellåda	
2	503002	4	-"-	Washer	Bricka	BRB FZB 4.3x9.0x0.8
3	500513	4	-"-	Screw	Skruv	MCS 4x5
4	401519	2	-"-	Terminal	Kontakt	MSTB-F 18-pin / 18-pol
5	401518	1	-"-	Terminal	Kontakt	MSTB-F 16-pin / 16-pol
6	503003	2	-"-	Washer	Bricka	BRB FZB 5.3x10x1.0
7	500530	2	-"-	Screw	Skruv	MCS 5x6
8	401071 ¹	2	-"-	Plug	Propp	PG 16
9 ²	401060 ¹	2	-"-	Cable sleeve	Kabelförskr.	PG 7
	401282 ²	2	-"-	Reducer	Reducering	PG11 – PG 7
10	401157 ¹	5	-"-	Cable sleeve	Kabelförskr.	PG 16
11	401096 ¹	4	-"-	Cable sealing	Kabeltätning	PG 16 3x6 mm
12	401060 ¹	1	-"-	Cable sleeve	Kabelförskr.	PG 7
13	401093 ¹	1	-"-	Cable sleeve	Kabelförskr.	PG 9
14	401232	7	-"-	Cable with connector	Kabel med kontakt	1.5 m
15	401296	4	-"-	Cable with connector	Kabel med kontakt	L-90

¹Included in Term. Box / ¹Ingår i Ellåda.
²Assembled with part no 401060. / ²Monterad med art nr 401060.

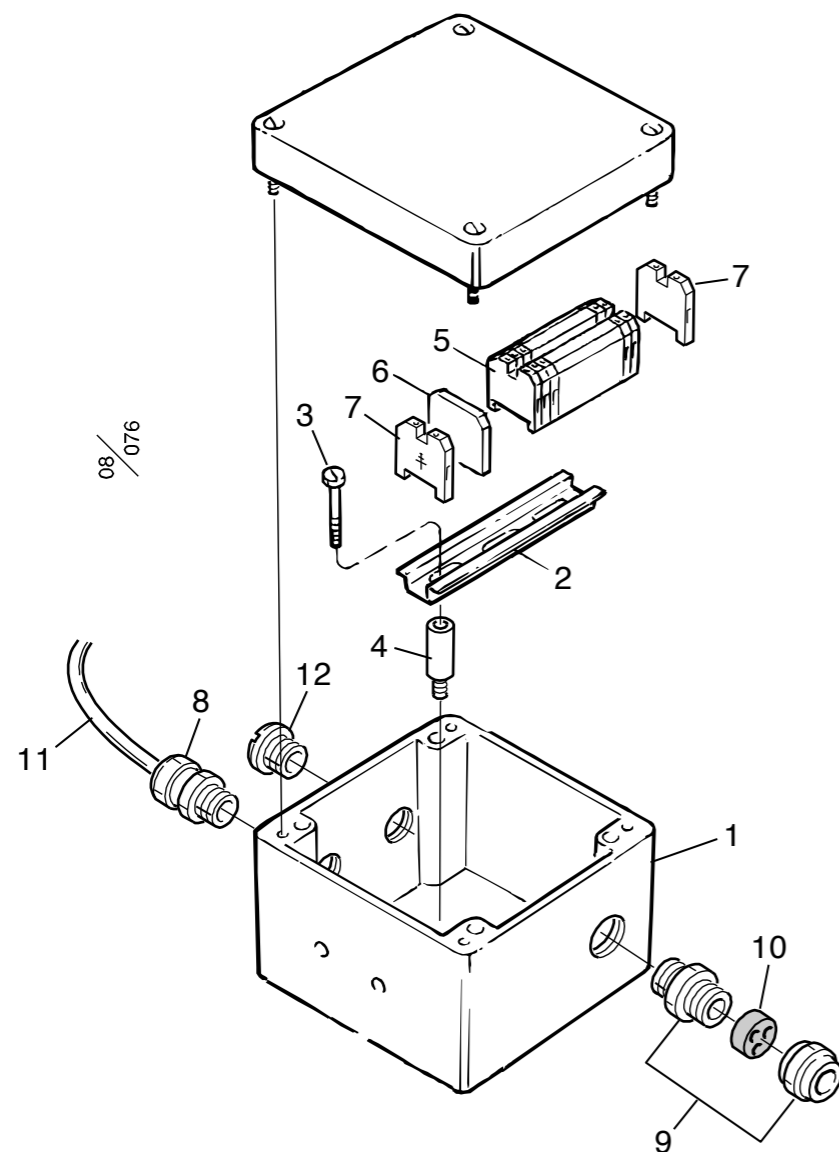


Bild 08/076	LOWER CONNECTION BOX / KOPPLINGSBOX, NEDRE					Struktur 033544 033554
Item / Position	Part no/ Art nr	Qty./ Antal	Serial no/ Serienr.	Description	Beskrivning	Notes/ Anmärkning
1 ¹	402203	1	150398-	Term. box	Ellåda	IT/PC & VU
1 ²	402206 ¹	1	- " -	Term. box	Ellåda	Dasa4 / Cabswin
2	401054 ²	1	- " -	Rail	Skena	L=80 mm TS 15
3	500513 ²	2	- " -	Screw	Skruv	MCS 4x5
4	402013 ²	2	- " -	Screw	Skruv	M4x5
5	401051 ²	9	- " -	Terminal	Radklämma	AKZ 2.5
6	401052	1	- " -	End cover	Ändplatta	AKZ 2.5
7	401101 ²	2	- " -	Ground connector	Jordklämma	Yellow – Green / Gul – Grön
8	401770 ²	1	- " -	Cable sleeve	Kabelförskr.	PG 9
9	401157 ²	1	- " -	Cable sleeve	Kabelförskr.	PG 16 MS 16
10	401096 ²	1	- " -	Cable sealing	Kabeltätning	PG 16 3x6 mm
11	401073 ¹	1	- " -	Cable	Kabel	12-part / led., L=3.6 m
12	401071 ²	1	- " -	Plug	Propp	PG 16
¹ Included in Term. Box / ¹ Ingår i Ellåda						
² Included in Term. Box / ² Ingår i Ellåda						

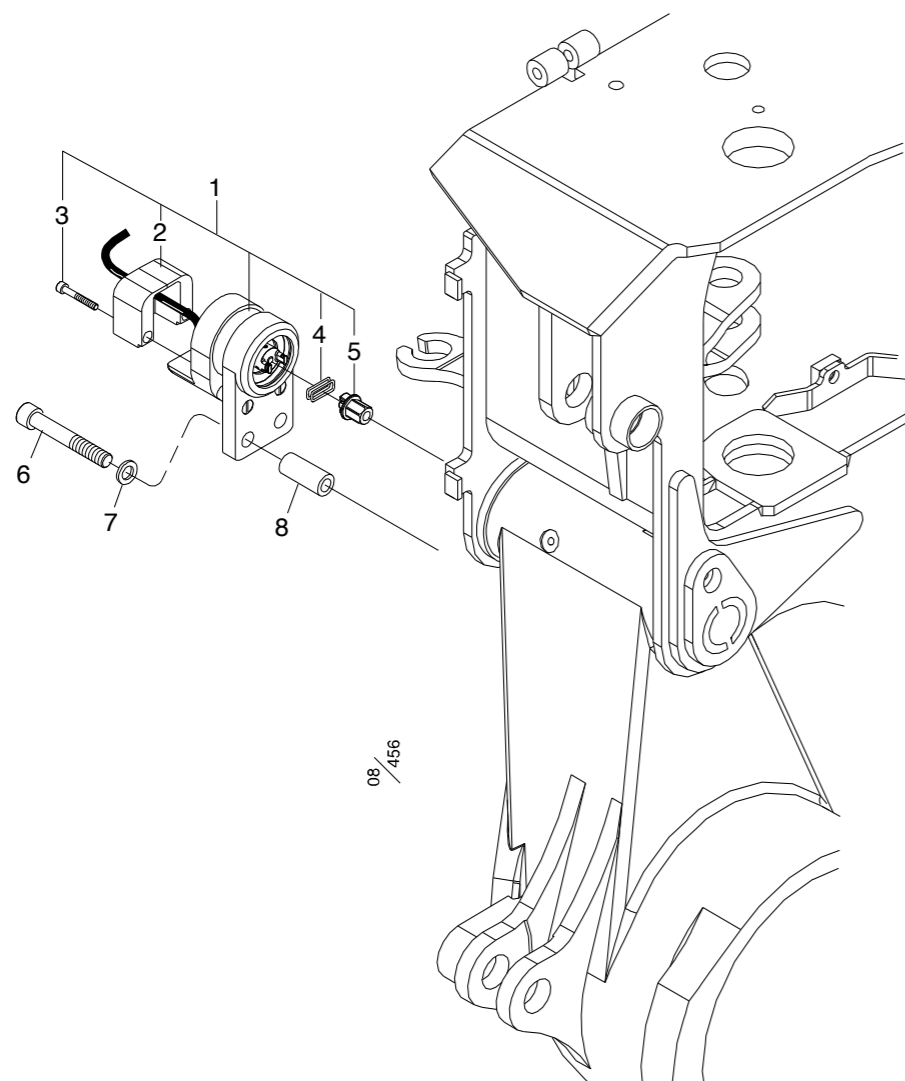


Bild 08/456	DIAMETER MEASURING / DIAMETERMÄTNING					Struktur 006918
Item / Position	Part no/ Art nr	Qty./ Antal	Serial no/ Serienr.	Description	Beskrivning	Notes/ Anmärkning
1 ¹	031072	1	150398-	Shaft compl	Överföring kompl	
2	401221	1	- " -	Encoder	Pulsgivare	^ 600 ppr
2	401226 ²	1	- " -	Cover	Skyddskåpa	Left – right kit / Vänster – höger kit
3	501034 ²	2	- " -	Screw	Skruv	MC6S M5x35
4	540039 ¹	2	- " -	O-ring	O-ring	10.82x1.78
5	017634 ¹	1	- " -	Hexagon plug	Sexkanttapp	
6	501117	2	- " -	Screw	Skruv	MC6S M12x80 12.9
7	503060	2	- " -	Washer	Bricka	M12 Nordlock
8	012640	2	- " -	Spacer	Distans	

¹Included in Shaft compl. / ¹Ingår i Överföring kompl.
²Included in Encoder / ²Ingår i Pulsgivare.

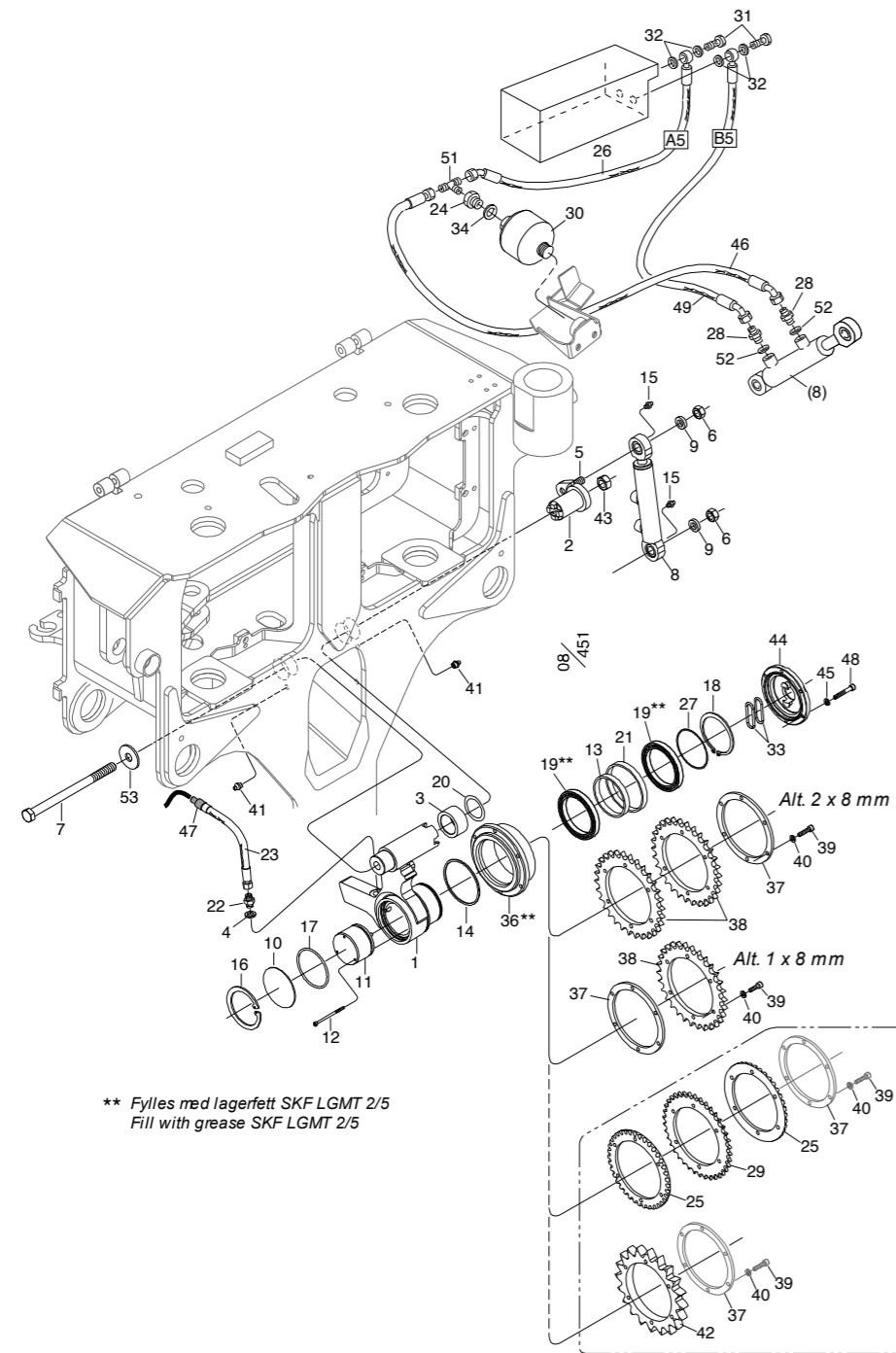


Bild 08/451	MEASURING WHEEL / MÅTHJUL					Struktur 005542-MONT 005543-MONT 045057
	Item / Position	Part no/ Art nr	Qty./ Antal	Serial no/ Serienr.	Description	Beskrivning
1	016089	1	150398-	Wheelarm	Måthjulsarm	
2	015168	1	- " -	Driver	Medbringare	
3	012181	1	- " -	Spacer	Distans	
4	601102	1	- " -	Seal ring	Tredo	3/8"
5	015167	1	- " -	Pin	Axeltapp	
6	502056	2	- " -	Nut	Mutter	M12 Low / Låg
7	505076	1	- " -	Screw	Skruv	M6S M14x200 10.9
8 ¹	015462	1	- " -	Hydraulic cylinder	Hydraulcylinder	Ø 25/16 – 45
9	010170	2	- " -	Spacer	Distans	
10	015443	1	- " -	Cover	Lock	
11 ²	401228	1	- " -	Encoder	Pulsgivare	500 ppr Log Mate 500 Dasa Forester
	401229	1	- " -	Encoder	Pulsgivare	80 ppr Dasa4/Cabswin IT/PC, VU
12	500511 ²	3	- " -	Screw	Skruv	MCS M3x45 8.8 FZB
13	017701	1	- " -	Spacer ring	Distansring	
14	546002	1	- " -	Seal ring	Tätningring	
15	625004 ¹	2	- " -	Grease nipple	Smörjnippel	M6
16	517254	1	- " -	Circlip	Låsring	SGH 75
17	540130	1	- " -	O-ring	O-ring	67x3.0
18	517068	1	- " -	Circlip	Låsring	SGA 70
19	508051	2	- " -	Bearing	Lager	61814 – 2RS
20	507002	Req / Erf	- " -	Shim	Shims	36x45x0.5
	507003	Req / Erf	- " -	Shim	Shims	36x45x0.3
21	017702	1	- " -	Spacer ring	Distansring	
22	601032	1	- " -	Coupling	Adapter	R 3/8" – R 3/8"
23	643058	1	- " -	Hose 3058	Slang 3058	
24	601030	1	- " -	Coupling	Adapter	R 1/4" UF – R 1/2" UF

¹Included in Cylinder./¹Ingår i Cylinder.

²Included in Encoder/²Ingår i Pulsgivare

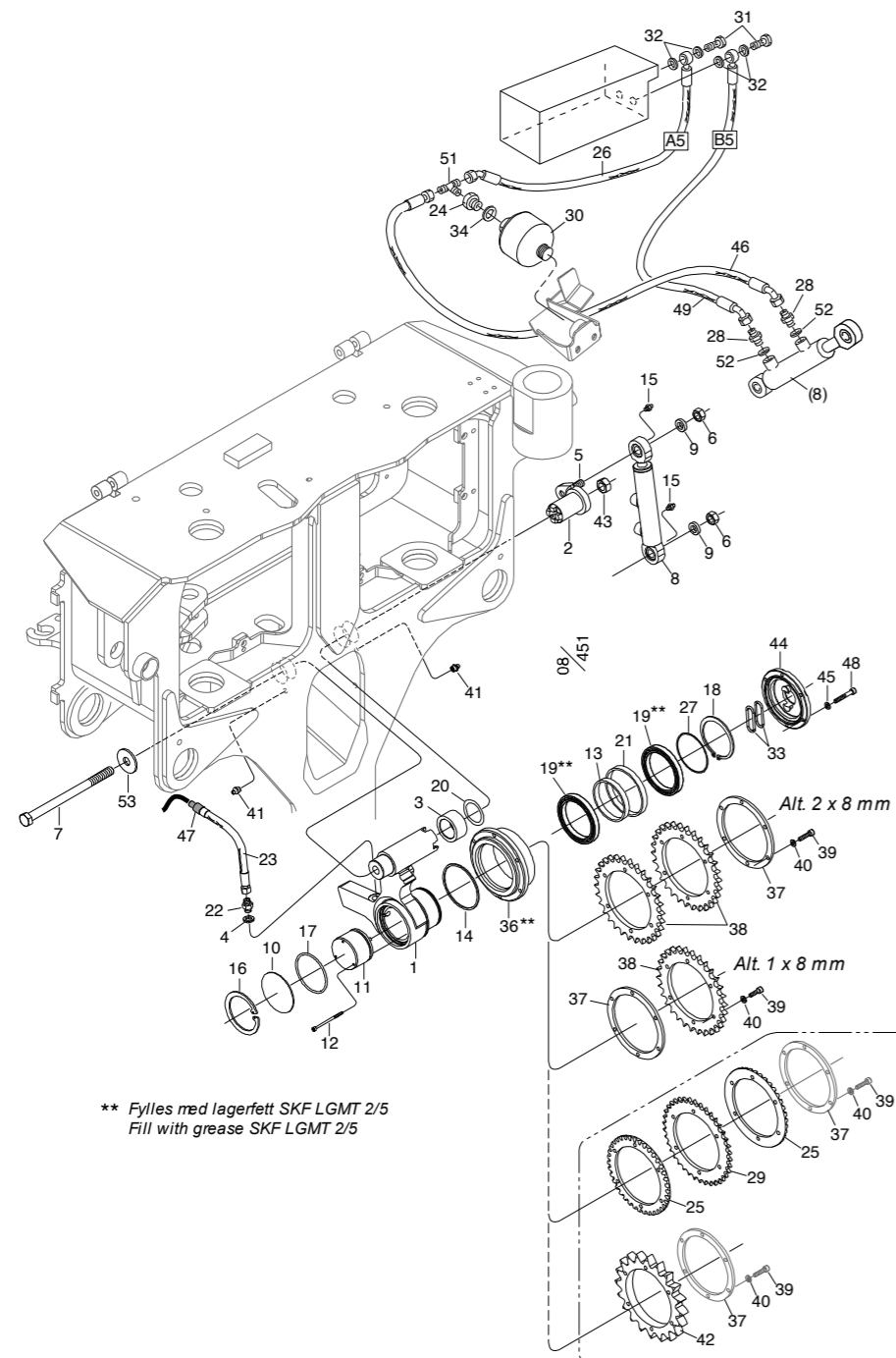


Bild 08/451	MEASURING WHEEL / MÄTHJUL					Struktur 005542-MONT 005543-MONT 045057
	Item / Position	Part no/ Art nr	Qty./ Antal	Serial no/ Serienr.	Description	
25	018127	2	150398-	Spacer	Distans	Ø 146 Option / Alternativ
26	643081	1	- " -	Hose 3081	Slang 3081	
27	507066	1	- " -	Shim	Shims	70.1x74.1x0.5
28	601028	2	- " -	Coupling	Adapter	R 1/4" UF – R 1/4" UF
29	018128	1	- " -	Wheel	Hjulbana	Ø 164 Option / Alternativ
30	610120	1	- " -	Accumulator	Ackumulator	0.16 L – 0 bar Empty / Oladdad
	610113	1	- " -	Accumulator	Ackumulator	0.16 L – 65 bar Loaded / Laddad
31	601060	2	- " -	Banjo bolt	Banjobult	R 1/4"
32	601200	4	- " -	Cu-washer	Cu-bricka	Ø 13x19x1.5
33	540116	2	- " -	O-ring	O-ring	22.2x3.0
34	601103	1	- " -	Seal ring	Tredo	1/2"
36	012965	1	- " -	Hub	Nav	
37	012976	1	- " -	Spacer	Distans	
38	012974	2	- " -	Wheel	Hjulbana	5/8"x162
39	501049	6	- " -	Screw	Skruv	MC6S M6x30 12.9
40	503065	6	- " -	Washer	Bricka	M6 Nordlock
41	625000	2	- " -	Grease nipple	Smörjnippel	KR 1/8" – R
42	018131	1	- " -	Wheel	Hjulbana	Ø 164 Option / Alternativ
43	502076	1	- " -	Nut	Mutter	M14
44	017700	1	- " -	Cover	Lock	
45	503066	6	- " -	Washer	Bricka	M5 Nordlock
46	643082	1	- " -	Hose 3082	Slang 3082	
47	015113	1	- " -	Shrink hose	Krympslang	L=50 mm
48	501029	6	- " -	Screw	Skruv	MC6S M5x20 12.9
49	643038	1	- " -	Hose 3038	Slang 3038	
51	601015	1	- " -	T-coupling	T-adapter	R 1/4" UF – IR
52	601101	2	- " -	Seal ring	Tredo	1/4"
53	503020	1	- " -	Washer	Bricka	SRKB 14x42x3.0 FZB

**SPARE PARTS MANUAL /
RESERVDELSMANUAL**

**Chapter Contents /
Kapitel Innehåll**

2. Frame with protective cover /
Ram med skyddshuv
3. Delimiting unit /
Kvistningsenhet
4. Felling unit /
Fällenhhet
5. Feeding unit /
Matningsenhet
6. Saw unit /
Sågenhet
7. Hydraulic system /
Hydraulsystem
8. Electrical system /
Elsystem

**9. Accessories optional equipment /
Tillbehör**

