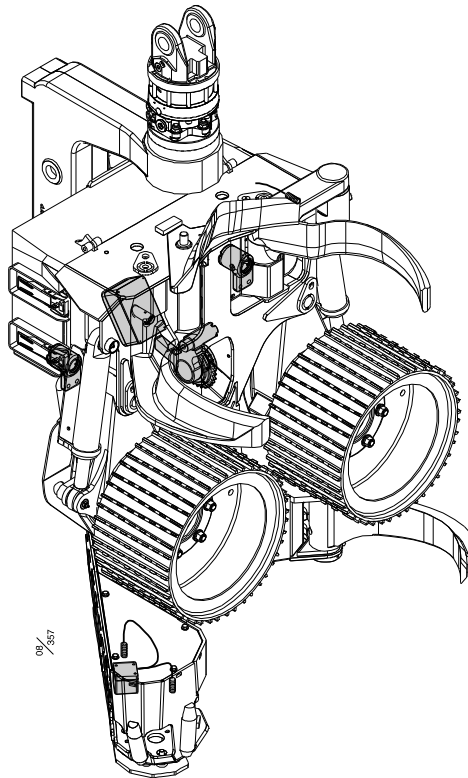


# Log Max 4000B

## Spare parts manual / Reservdelsmanual

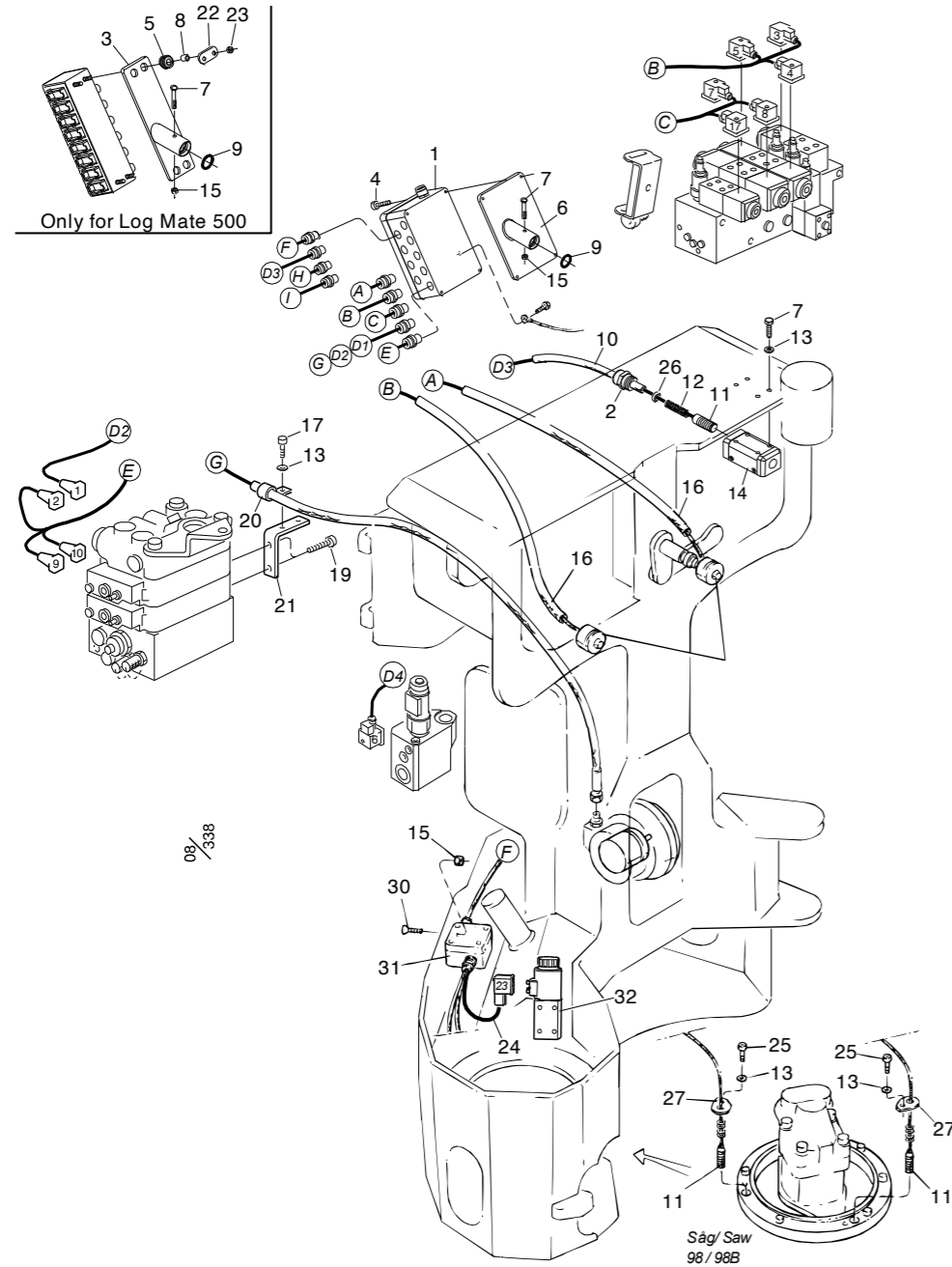
### 8. Electrical system / Elsystem



Log Max

### Content/Innehåll

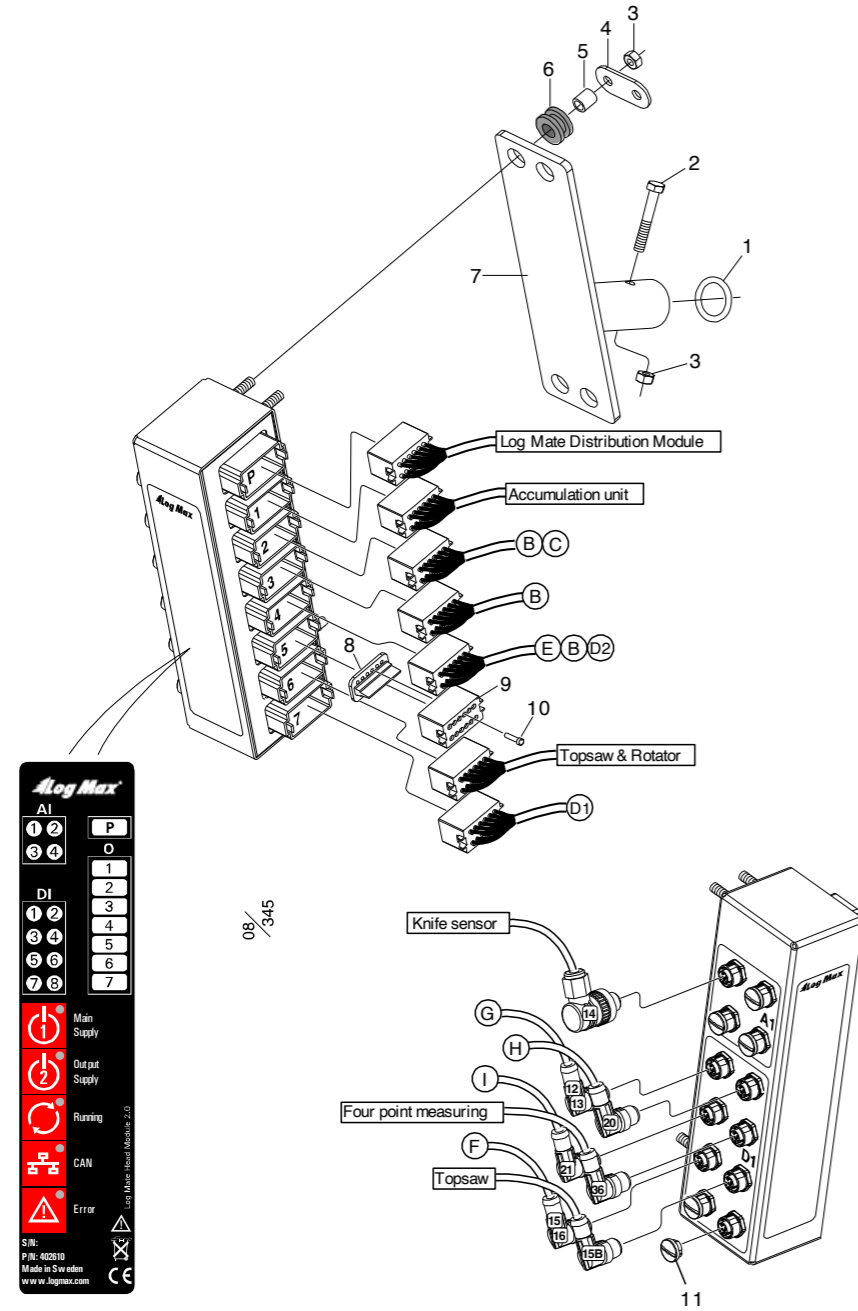
ELECTRICAL SYSTEM / ELSYSTEM.....	3
LOG MATE 500 / LOG MATE 500.....	5
CONNECTION BOX, Standard / KOPPLINGSBOX, Standard .....	7
TERMINAL BOX, IT/PC / KOPPLINGSBOX, IT/PC .....	9
LOWER CONNECTION BOX / KOPPLINGSBOX, NEDRE.....	11
MEASURING WHEEL / MÄTHJUL.....	13
MEASURING WHEEL / MÄTHJUL.....	15
DIAMETER MEASURING, Puls/Pot / DIAMETERMÄTARE, Puls/Pot.....	17
DIAMETER MEASURING, PULS/POT / DIAMETERMÄTARE, PULS/POT .....	19
DASA BRACKETS AND BOXES / DASA FÄSTEN OCH BOXAR.....	21



Log Max 4000B

Bild 08/338	ELECTRICAL SYSTEM / ELSYSTEM					
Position/ Position	Part no/ Art nr	Qty/ Antal	Serial no/ Serienr	Description	Beskrivning	Notes/ Anmärkning
1	013921	1	140001-	Upper conn.box	Koppl. box, övre	
2	401152	1	- " -	Cable sleeve	Kabelförskruv.	M20X1,5
3	016854	1	- " -	Bracket	Fäste	Log Mate 500
4	501015	4	- " -	Socket screw	Insexskruv	MC6S M4x16
5	402059	4	- " -	Rubber bushing	Gummibussning	Log Mate 500
6	014360	1	- " -	Plate	Fästplatta	
7	500023	4	- " -	Screw	Skruv	M6S M6X16
8	402585	4	- " -	Spacer sleeve	Distanshylsa	6x10-9
9	517004	1	- " -	Lock ring	Låsring	
10	615019	1	- " -	Prot. Hose	Skyddsslang	
11	013007	3	- " -	Magnetic Sensor	Magnetgivare	
12	526015	1	- " -	Spring	Fjäder	
13	503065	7	- " -	Washer	Bricka	Nordlock M6
14	016929	1	- " -	Sensor holder	Sensorhållare	
15	502053	3	- " -	Nut	Mutter	Loc M6
16	642113	2	- " -	Prot. Hose 2113	Skyddsslang 2113	Pot Ø 6 mm
	642100	(2)	- " -	Prot. Hose 2100	Skyddsslang 2100	Puls Ø 8 mm
17	501045	2	- " -	Socket screw	Insexskruv	MC6S M6X16
18	622060	1	- " -	Clamp	Klamma	Ø 13
19	505055	2	- " -	Socket screw	Insexskruv	MC6S M6x105
20	622063	1	- " -	Clamp	Klamma	Ø 18
21	013785	1	- " -	Cable bracket	Kabelfäste	
22	016852	2	- " -	Washer	Bricka	Log Mate 500
23	502053	4	- " -	Nut	Mutter	M6
24 <sup>1</sup>	401026	1	- " -	Cable cpl.	Kabel kmpl.	1 m
	401315 <sup>1</sup>	1	- " -	Screw	Skruv	M3x25
	401324 <sup>1</sup>	1	- " -	Sealring	Tätningring	
25	501043	2	- " -	Socket screw	Insexskruv	MC6S M6x12
26	503004	1	- " -	Washer	Bricka	6.4X12X1.5
27	012282	2	- " -	Holder	Plåt	
30	504030	2	- " -	Screw	Skruv	MF6S M6x20 10.9
31	012951	1	- " -	Lower conn. box	Koppl. låda nedre	
32	033027	1	- " -	Lub.Pump	Smörjpump	

<sup>1</sup>Included in cable cpl./ <sup>1</sup>Ingår i kabel kompl.



Log Mate 500 Head Module

Bild 08/345	LOG MATE 500 / LOG MATE 500					
	Position/ Position	Part no/ Art nr	Qty/ Antal	Serial no/ Serienr	Description	Beskrivning
1	517004	1	140001-	Lock ring	Låsring	
2	500023	1	- " -	Screw	Skruv	M6S M6X16
3	502053	5	- " -	Nut	Mutter	Loc M6
4	016852	2	- " -	Washer	Bricka	Log Mate 500
5	402585	4	- " -	Spacer sleeve	Distanshylsa	6x10-9
6	402059	4	- " -	Rubber bushing	Gummibussning	Log Mate 500
7	016854	1	- " -	Bracket	Fäste	Log Mate 500
8	402086	Erf.	- " -	Wedge	Låskil	DT06 12-POL
9	402080	Erf.	- " -	Connector	Kontakt	DT06-12SB EP06 HANE 12-POL
10	402077	Erf.	- " -	Plug	Blindplugg	White / Vit
11	401310	Erf.	- " -	Cover	Skyddslock	M12 Female / Hona

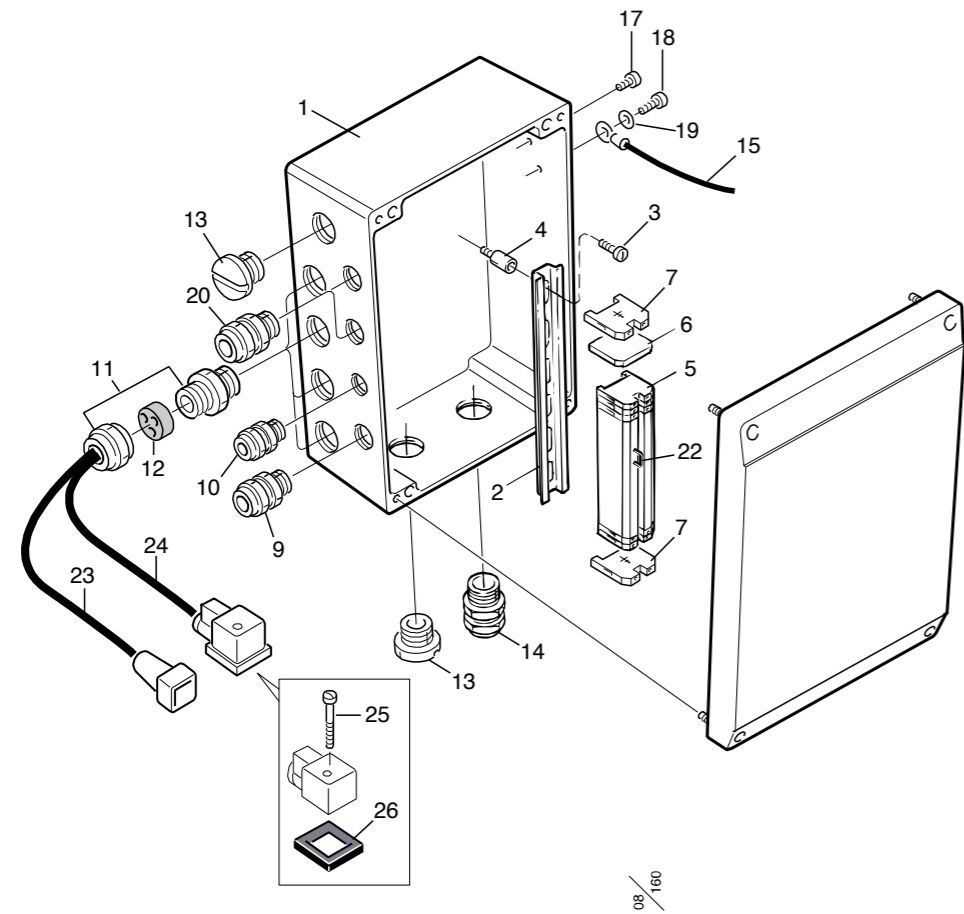
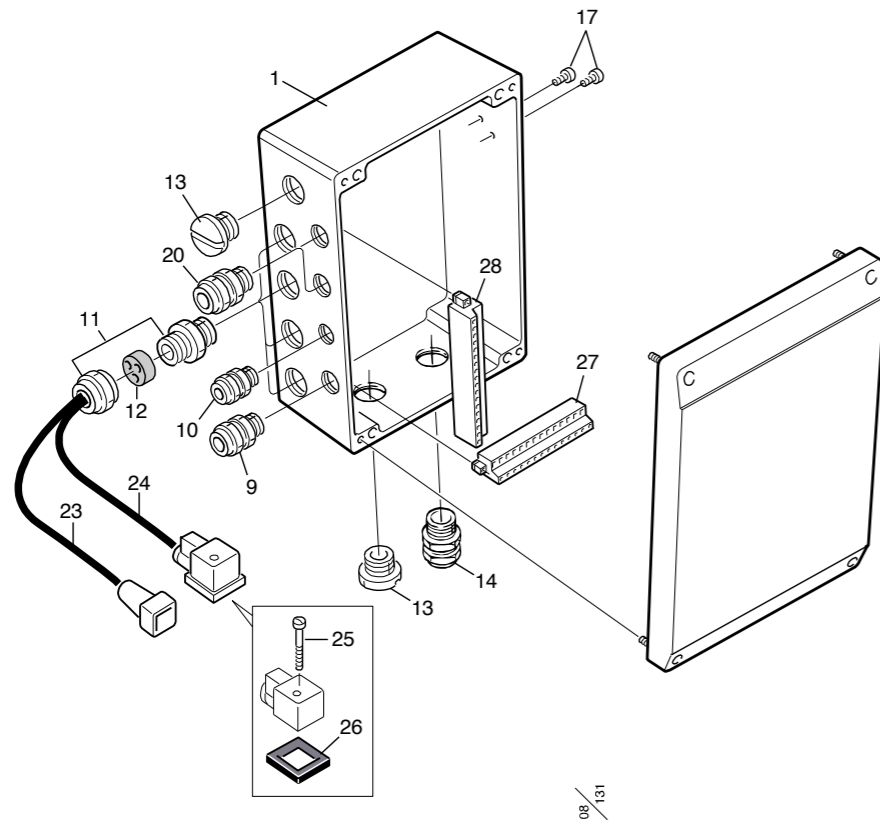


Bild 08/160	CONNECTION BOX, Standard / KOPPLINGSBOX, Standard					
Position/ Position	Part no/ Art nr	Qty/ Antal	Serial no/ Serienr	Description	Beskrivning	Notes/ Anmärkning
1	013921	1	140000-	Connection box	Ellåda	
1	013207	1	- " -	Terminal cmpl.	Kopplingsplint kompl.	
2	401054 <sup>1</sup>	1	- " -	Rail	Skena TS15	L=200
3	500513	2	- " -	Screw	Skruv	MCS M4x5
4	402014	2	- " -	Spacer screw	Distansskruv	M4x15
5	401051 <sup>1</sup>	26	- " -	Cable terminal	Radklämma	AKZ 2,5
6	401052 <sup>1</sup>	1	- " -	End cover	Täckplatta	
7	401055 <sup>1</sup>	4	- " -	Ground connector	Jordklamma	
9	401093	1	- " -	Cable sleeve	Kabel-förskruvning	PG 9
10	401060	1	- " -	Cable sleeve	Kabel-förskruvning	PG 7
11	401157	4	- " -	Cable sleeve	Kabel-förskruvning	PG 16
12	401096	4	- " -	Cable sealing	Kabeltätning	3x6
13	401071	2	- " -	Plug	Propp	PG 16
14	401064	1	- " -	Cable sleeve	Kabel-förskruvning	PG 16
15	012605	1	- " -	Ground wire	Jordkabel	
17	500530	1	- " -	Screw	Skruv	MCS 5x6
18	500532	2	- " -	Screw	Skruv	MCS 5x10
19	503003	1	- " -	Washer	Bricka	BRB 5.3x10x1.0
20	401063	2	- " -	Cable sleeve	Kabel-förskruvning	PG 11
22	401058 <sup>1</sup>	1	- " -	Jumper	Bygling	AKZ 4
23 <sup>2</sup>	401295	6	- " -	Cable with conn.	Kabel m. kontakt	
24	401026	5	- " -	Cable with conn.	Kabel m. kontakt	
25	401315 <sup>2</sup>	1	- " -	Screw	Skruv	M3x25
26	401324 <sup>2</sup>	1	- " -	Seal Valve cap	Tätning ventilhatt	

<sup>1</sup>Included in terminal cmpl./ <sup>1</sup>Ingår i kopplingsplint kompl.  
<sup>2</sup>Included in cable with connector/ <sup>2</sup>Ingår i kabel med kontakt



08/131

Bild 08/131	TERMINAL BOX, IT/PC / KOPPLINGSBOX, IT/PC						
	Position/ Position	Part no/ Art nr	Qty/ Antal	Serial no/ Serienr	Description	Beskrivning	Notes/ Anmärkning
	1	013921	1	140000-	Connection box	Ellåda	
	3	500513	4	-"	Screw	Skruv	MCS M4x5
	9	401093	1	-"	Cable sleeve	Kabel- förskruvning	PG 9
	10	401060	1	-"	Cable sleeve	Kabel- förskruvning	PG 7
	11	401157	4	-"	Cable sleeve	Kabel- förskruvning	PG 16
	12	401096	4	-"	Cable sealing	Kabeltätning	3x6
	13	401071	2	-"	Plug	Propp	PG 16
	14	401064	1	-"	Cable sleeve	Kabel- förskruvning	PG 16
	17	500530	2	-"	Screw	Skruv	MCS M5x6
	20	401063	2	-"	Cable sleeve	Kabel- förskruvning	PG 11
	21	401026	7	-"	Cable w. conn	Kabel med kontakt	
	23 <sup>2</sup>	401295	4	-"	Cable with conn.	Kabel m. kontakt	
	24	401026	7	-"	Cable with conn.	Kabel m. kontakt	
	25	401315 <sup>2</sup>	1	-"	Screw	Skruv	M3x25
	26	401324 <sup>2</sup>	1	-"	Seal Valve cap	Tätning ventilhatt	

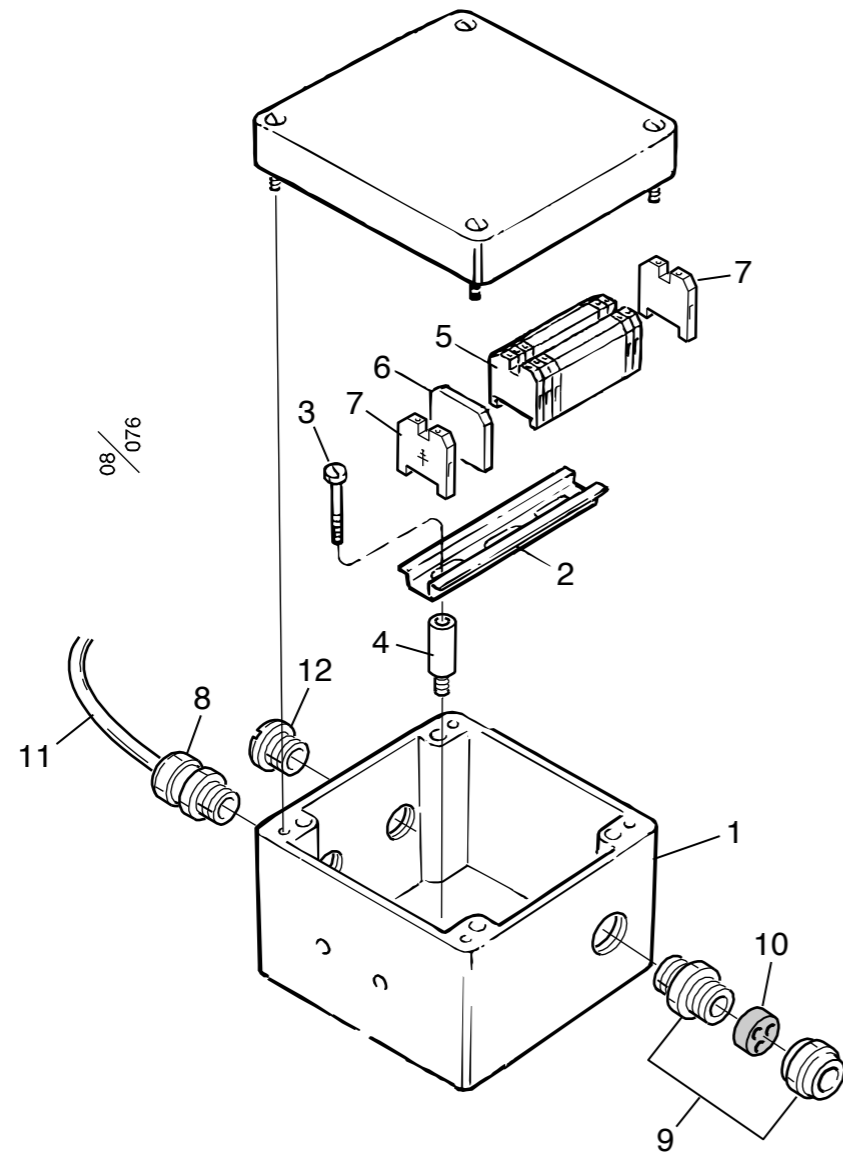


Bild 08/076	LOWER CONNECTION BOX / KOPPLINGSBOX, NEDRE						
	Position/ Position	Part no/ Art nr	Qty/ Antal	Serial no/ Serienr	Description	Beskrivning	Notes/ Anmärkning
	1	012951	1	140000-	Lower connection box	Nedre ellåda	
	2	401054	1	-"-	Rail	Skena TS15	L=60 mm
	3	500560	2	-"-	Screw	Skruv	MCS 4x8
	4	402013	2	-"-	Spacer	Distansskruv	M4x10
	5	401051	9	-"-	Terminal	Radklämma	AKZ 2,5
	6	401052	1	-"-	End cover	Ändplatta	AKZ 2,5
	7	401055	2	-"-	Ground conn. yellow/green	Jordklämma gul/grön	
	8	401093	1	-"-	Cable sleeve	Kabel-förskruvning	PG 9
	9	401157	1	-"-	Cable sleeve	Kabel-förskruvning	PG 16
	10	401096	1	-"-	Cable sealing	Kabeltätning	PG 16
	11	401073	1	-"-	Cable	Kabel	12-part /led x 0,5, L=2.5 m
	12	401071	1	-"-	Plug	Propp	PG16

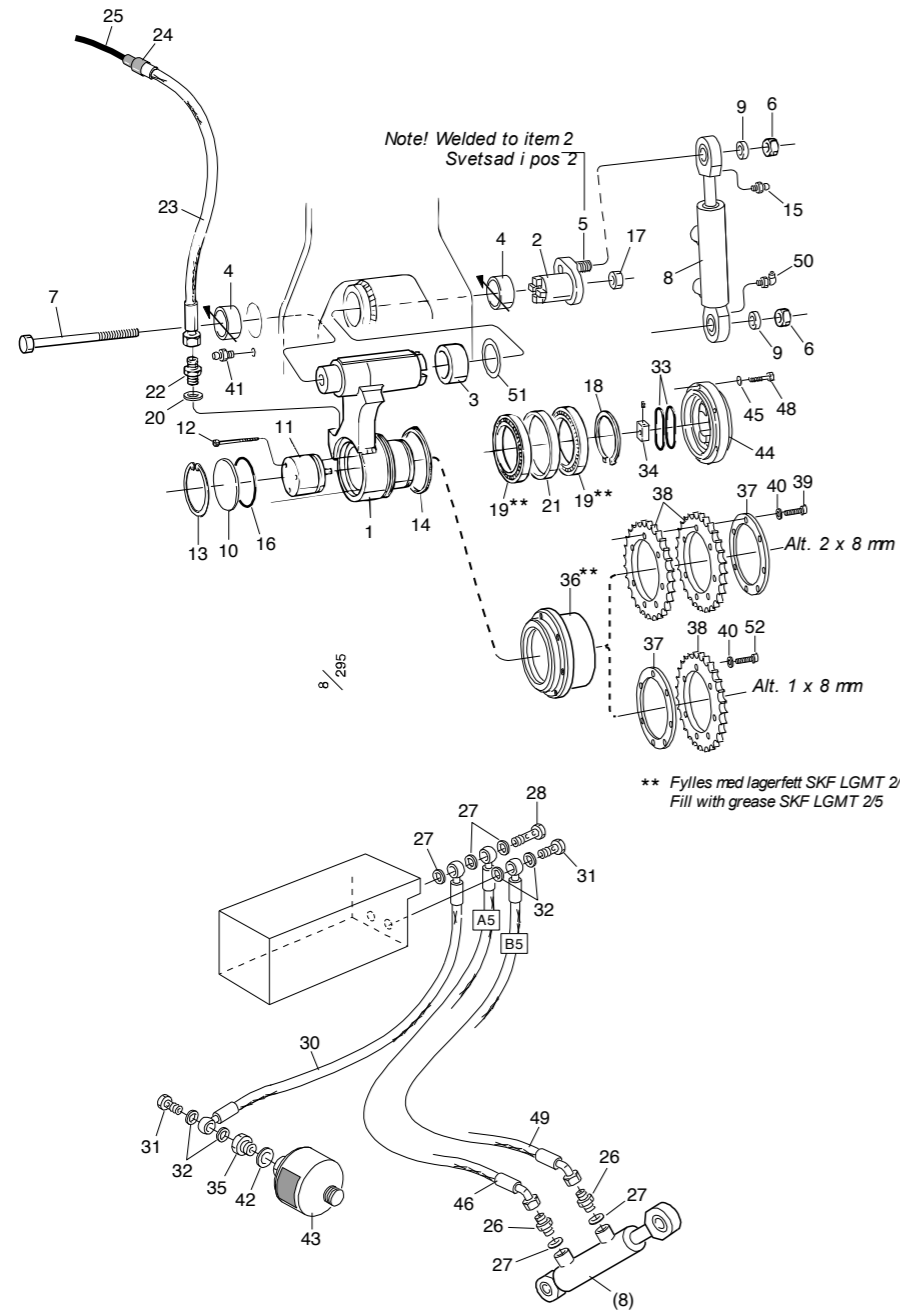


Bild 08/295	MEASURING WHEEL / MÄTHJUL					
Position/ Position	Part no/ Art nr	Qty/ Antal	Serial no/ Serienr	Description	Beskrivning	Notes/ Anmärkning
1	015478	1	140000-	Wheelarm cmpl.	Mäthjulsarm kompl.	
2	015168	1	-"	Driver	Medbringare	
3	012181	1	-"	Spacer	Distans	
4	512211	2	-"	Bushing	Bussning	
5	012152	1	-"	Pin	Axeltapp	
6	502056	2	-"	Nut	Mutter	M12
7	505076	1	-"	Screw	Skruv	M6S M14x200 10.9
8	015462	1	-"	Cylinder	Hydraulcylinder	
9	010170	2	-"	Spacer	Distans	
10	015443	1	-"	Cover	Lock	
11	401104 <sup>1</sup>	1	-"	Encoder	Pulsgivare	80 ppr
12	500511 <sup>1</sup>	3	-"	Screw	Skruv	MCS 3x45
13	517254	1	-"	Circlip	Låsring	SGH 75
14	546002	1	-"	Seal ring	Tätningring	
15	625004	2	-"	Grease nipple	Smörjnippel	M6
16	540130	1	-"	O-ring	O-ring	67x3.0
17	502076	1	-"	Nut	Mutter	M14
18	517068	1	-"	Circlip	Låsring	SGA 70
19	508043	2	-"	Bearing	Lager	61814
20	601102	1	-"	Seal ring	Tredo	G 3/8"
21	012980	1	-"	Spacer	Distans	
22	601032	1	-"	Coupling	Adapter	G 3/8" UF-UF
23	644070	1	-"	Hose 4070	Slang 4070	
24	015113	1	-"	Shrinking tubing	Krympslang	L=50 mm
25	401025	1	-"	Cable	Kabel	PUR L=2 m 4x0.5
26	601028	2	-"	Coupling	Adapter	G 1/4"UF-UF
27	601101	5	-"	Seal ring	Tredo	G 1/4"
28	601065	1	-"	Banjo bolt	Banjobult	R 1/4"
29	014809	1	-"	Manifold L.H.	Ventilblock vänster	
30	644028	1	-"	Hose 4028	Slang 4028	

<sup>1</sup> Included in Encoder / <sup>1</sup> Ingår i Pulsgivare

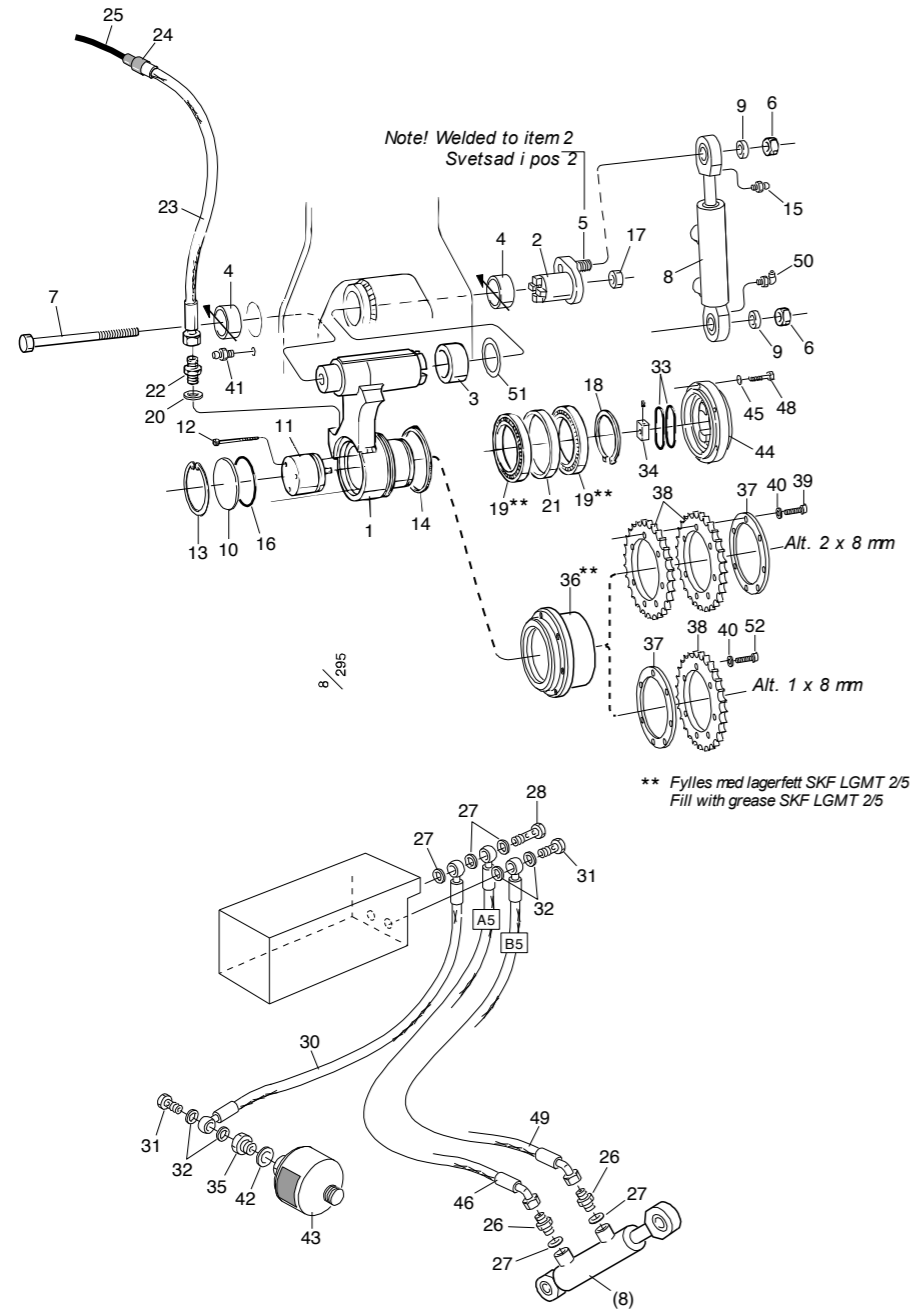
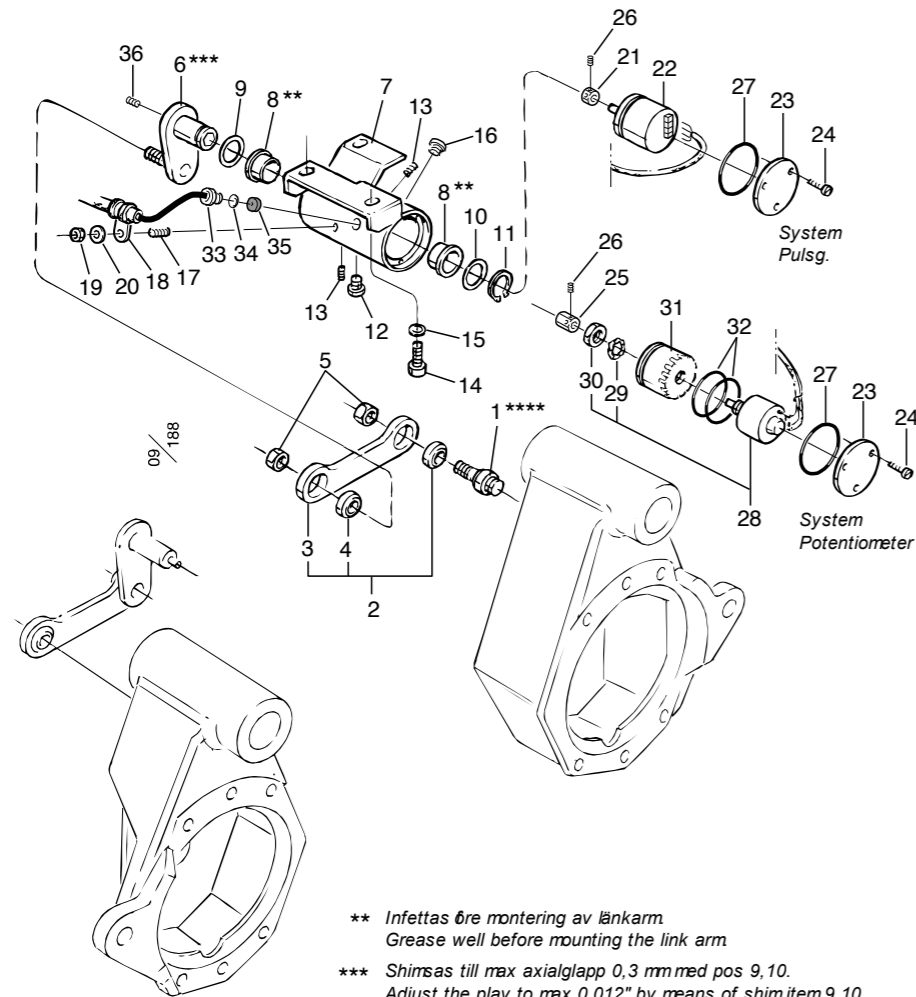


Bild 08/295	MEASURING WHEEL / MÄTHJUL						
	Position/ Position	Part no/ Art nr	Qty/ Antal	Serial no/ Serienr	Description	Beskrivning	Notes/ Anmärkning
	31	601060	2	140000-	Banjo bolt	Banjobult	R 1/4"
	32	601200	4	-"	Cu-washer	Cu-bricka	Ø 13x19x1,5
	33	540116	2	-"	O-ring	O-ring	22,2x3
	34	014279	1	-"	Driver	Medbringare	
	35	602059	1	-"	Coupling	Adapter	G 1/2" – G 1/4" UF-IF
	36	012965	1	-"	Hub	Nav	
	37	012976	1	-"	Spacer	Distans	
	38	014114	2	-"	Wheel	Hjulbana	5/8" x 162
	39	501049	6	-"	Socket screw	Insexskruv	MC6S 6x30
	40	503065	6	-"	Washer	Bricka	M6 Loc
	41	625000	2	-"	Grease Nipple	Smörjnippel	G 1/8" – r
	42	601103	1	-"	Seal ring	Tredo	1/2"
	43	610120	1	-"	Accumulator	Akkumulator	0,16 L - 0 Bar EMPTY/ OLADDAD
		610113	1	-"	Accumulator	Akkumulator	0,16 L - 65 Bar LOADED/ LADDAD
	44	014280	1	-"	Lid	Lock	
	45	503066	6	-"	Washer	Bricka	Nordlock M5
	46	644045	1	-"	Hose 4045	Slang 4045	
	48	500008	6	-"	Screw	Skruv	M6S M5x25
	49	644046	1	-"	Hose 4046	Slang 4046	
	50	625005	1	-"	Grease nipple	Smörjnippel	M6-90°
	51	507002	Erf.	-"	Shim	Shims	36X45X0.5
		507003	Erf.	-"	Shim	Shims	36X45X0.3
	52	501046	6	-"	Socket screw	Insexskruv	MC6S M6X20





- \*\* Infettas före montering av länkarm.  
Grease well before mounting the link arm
- \*\*\* Shimmas till max axialglapp 0,3 mm med pos 9,10.  
Adjust the play to max 0,012" by means of shim item 9,10.
- \*\*\*\* Loc-tite 2701

Bild 09/223	DIAMETER MEASURING, Puls/Pot / DIAMETERMÄTARE, Puls/Pot					Notes/ Anmärkning	
	Position/ Position	Part no/ Art nr	Qty/ Antal	Serial no/ Serienr	Description Beskrivning		
	1	012152	2	140000-	Pin	Axeltapp	
	2 <sup>1</sup>	010931	2	-"	Arm compl.	Parallellstag kompl.	
	3	010930 <sup>1</sup>	2	-"	Arm	Parallellstag	
	4	015220 <sup>1</sup>	4	-"	Spher. bushing	Länklager	GE 12E
	5	502056	4	-"	Nut	Mutter	M12 Loc. Low
	6	013555	2	-"	Link arm	Länkarm	
	7	012693	1	-"	Housing L.	Montagehus V	
		012694	1	-"	Housing R.	Montagehus H	
	8	512206	4	-"	Plastic Bushing	Glidlager	PDE-F 20/25/30x15
	9	507007	2	-"	Shim	Shims	t=0,5 mm
		507006	2	-"	Shim	Shims	t=1,0 mm
	10	507008	2	-"	Shim	Shims	t=0,2 mm
	11	517027	2	-"	Lock ring	Låsring	SGA 20
	12	601000	2	-"	Hex plug	Insexplugg	G 1/8"
	13	513010	6	-"	Grub Screw	Låsskruv	S6SS 6x8
		522077	3	-"	Plastic Plug	Mask. plugg	
	14	501067	6	-"	Socket screw	Insexskruv	MC6S M8x16 12.9
	15	503055	6	-"	Washer	Bricka	Nordlock M8
	16	401068	1	-"	Plug	Plugg	PG 7
	17	505053	1	-"	Screw	Pinnskruv	M6X23.5
	18	622049	2	-"	Clamp	Gummiklämma	Ø 11 mm POT
		622060	2	-"	Clamp	Gummiklämma	Ø 13 mm PUL
	19	502053	2	-"	Nut	Mutter	M6L Loc
	20	503004	2	-"	Washer	Bricka	BRB 6,4x12x1,5
<sup>1</sup> Included in Arm compl./ <sup>1</sup> Ingår i Parallellstag kompl.							
<sup>2</sup> Included in Potentiometer compl./ <sup>2</sup> Ingår i Potentiometer kompl.							
<sup>3</sup> Included in Driver compl./ <sup>3</sup> Ingår i Medbringare kompl.							

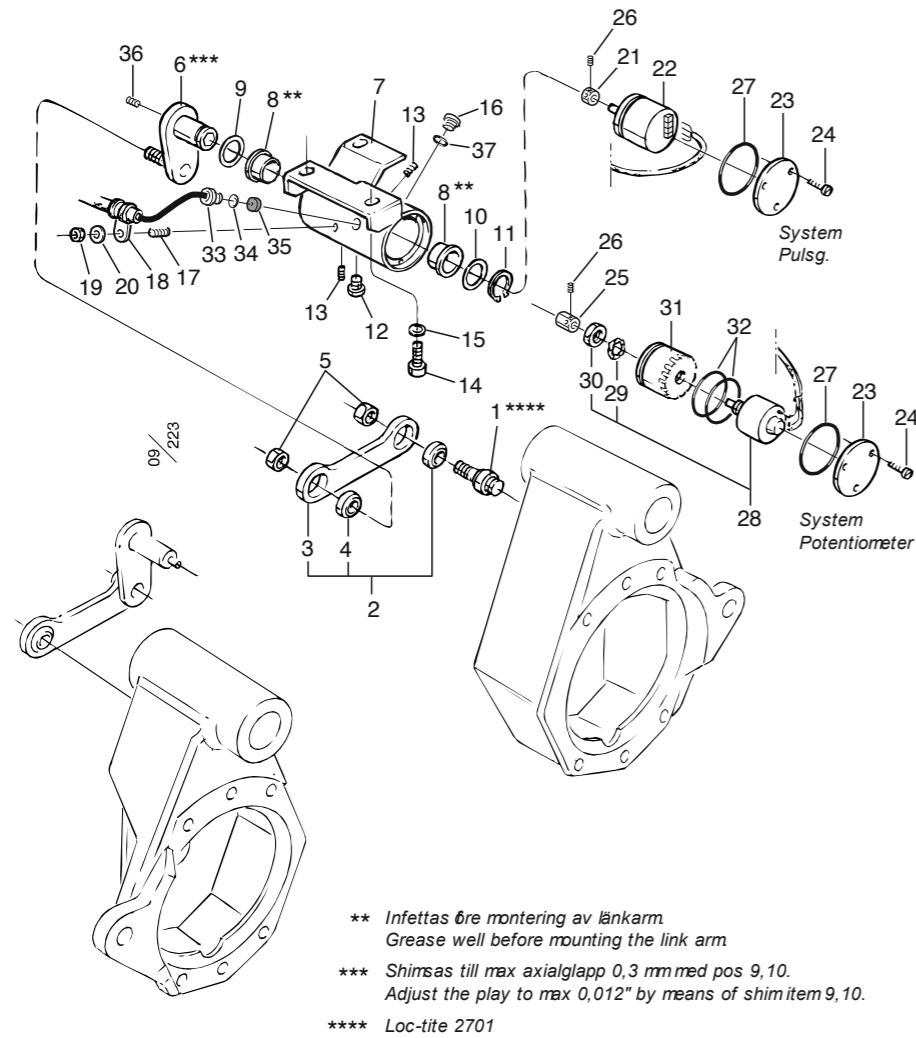


Bild 09/188	DIAMETER MEASURING, PULS/POT / DIAMETERMÄTARE, PULS/POT					
Position/ Position	Part no/ Art nr	Qty/ Antal	Serial no/ Serienr	Description	Beskrivning	Notes/ Anmärkning
21 <sup>3</sup>	014337	2	140000-	Driver	Medbringare	PUL
	013020	(2)	-"	Driver	Medbringare	PUL
22	401214	2	-"	Pulse Encoder	Pulsgivare	^ 600 ppr
23	011679	2	-"	Cover	Täcklock	
24	500514	6	-"	Screw	Skruv	MCS 4x10, POT
25	013557	2	-"	Driver	Medbringare	
26	513014 <sup>3</sup>	2	-"	Screw	Stoppskruv	M4x4, POT
27	543034	2	-"	O-ring	O-ring	52.0x2.0
28 <sup>2</sup>	401168	(2)	-"	Potentiometer cmpl	Potentiometer kompl	^
	401166	(2)	-"	Potentiometer cmpl	Potentiometer kompl	^ Timberjack
29	<sup>2</sup>	(2)	-"	Washer	Bricka	POT
30	<sup>2</sup>	(2)	-"	Nut	Mutter	POT
31	015035	2	-"	Bracket	Adapterplatta	POT
32	540074	4	-"	O-ring	O-ring	17.3x2.4
33	401260	2	-"	Nut	Mutter	PG7
34	401261	2	-"	Washer	Bricka	PG7
35	401262	2	-"	Rubber bushing	Gummi- bussning	PG7
36	513040	2	-"	Screw	Skruv	P6SS M6X6
37	543013	2	-"	O-ring	O-ring	9,50x1,0
<sup>1</sup> Included in Arm cmpl./ <sup>1</sup> Ingår i Parallellstag kompl. <sup>2</sup> Included in Potentiometer cmpl./ <sup>2</sup> Ingår i Potentiometer kompl. <sup>3</sup> Included in Driver cmpl./ <sup>3</sup> Ingår i Medbringare kompl.						
<sup>^</sup> 401214 Pulse Encoder (PUL): Log Mate IT/PC/402 <sup>^</sup> 401168 Potentiometer (POT): Log Mate 400 <sup>^</sup> 401166 Potentiometer (POT): Timberjack						

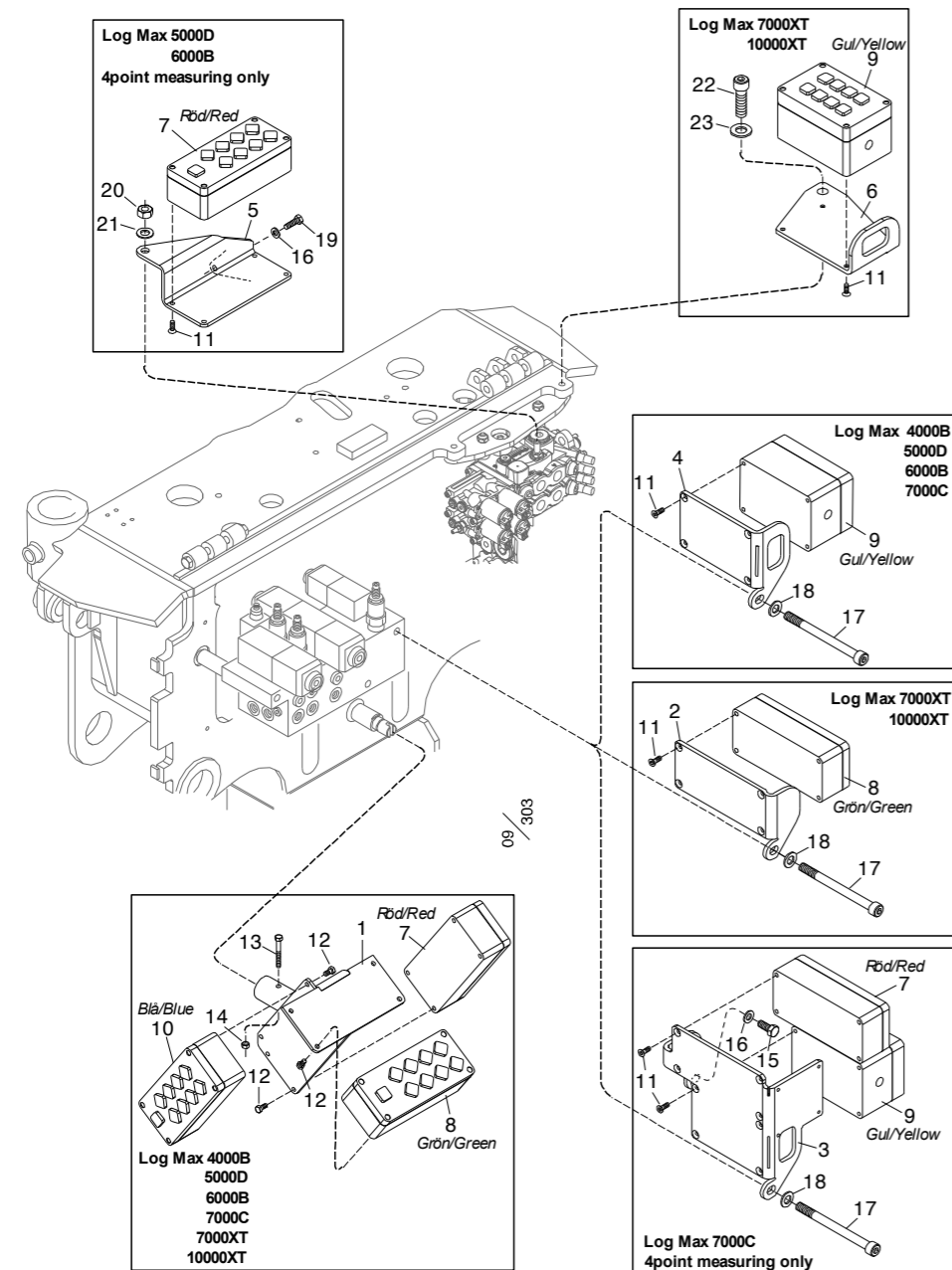


Bild 09/303	DASA BRACKETS AND BOXES / DASA FÄSTEN OCH BOXAR					
Position/ Position	Part no/ Art nr	Qty/ Antal	Serial no/ Serienr	Description	Beskrivning	Notes/ Anmärkning
1	014363	1		Quick bracket	Snabbfäste	DASA4
2	016551	1		Bracket	Fäste	Only for Extreme series
3	017344	1		Bracket	Fäste	4point measuring 7000C only
4	014250	1		Bracket	Fäste	DASA4
5	017054	1		Bracket	Fäste	4point measuring 5000D/6000B only
6	016593	1		Bracket.	Fäste	Only for Extreme series
7	7009847	1		Box red	Box röd	D418
8	7009846	1		Box green	Box grön	D408A
9	7009843	1		Box yellow	Box gul	D4CU
10	7009845	1		Box blue	Box blå	D408D
11	504019	Erf.		Socket screw	Insexskruv	MF6S M5X16
12	501028	Erf.		Socket screw	Insexskruv	MC6S M5X16
13	500028	Erf.		Screw	Skruv	M6S M6X40
14	502053	Erf.		Nut	Mutter	M6
15	500043	Erf.		Screw	Skruv	M6S M8X20
16	503065	Erf.		Washer	Bricka	Nordlock M6
17	501104	Erf.		Socket screw	Insexskruv	MC6S M10X140
18	503057	Erf.		Washer	Bricka	Nordlock M10
19	501048	Erf.		Socket screw	Insexskruv	MC6S M6X25
20	502055	Erf.		Nut	Mutter	M10
21	503007	Erf.		Washer	Bricka	10X18X2.0 FZB
22	501113	Erf.		Socket screw	Insexskruv	MC6S M12X50
23	503076	Erf.		Washer	Bricka	Nordlock Wide/Stor M12

**SPARE PARTS MANUAL /  
RESERVDELSMANUAL**

**Chapter Contents /  
Kapitel Innehåll**

2. Frame with protective cover /  
Ram med skyddshuv
3. Delimiting unit /  
Kvistanordning
4. Felling unit /  
Fällanordning
5. Feeding unit /  
Matningsanordning
6. Saw unit /  
Sågenhet
7. Hydraulic system /  
Hydraulsystem
8. Electrical system /  
Elsystem

9. **Accessories. optional equipment /  
Tillbehör**

