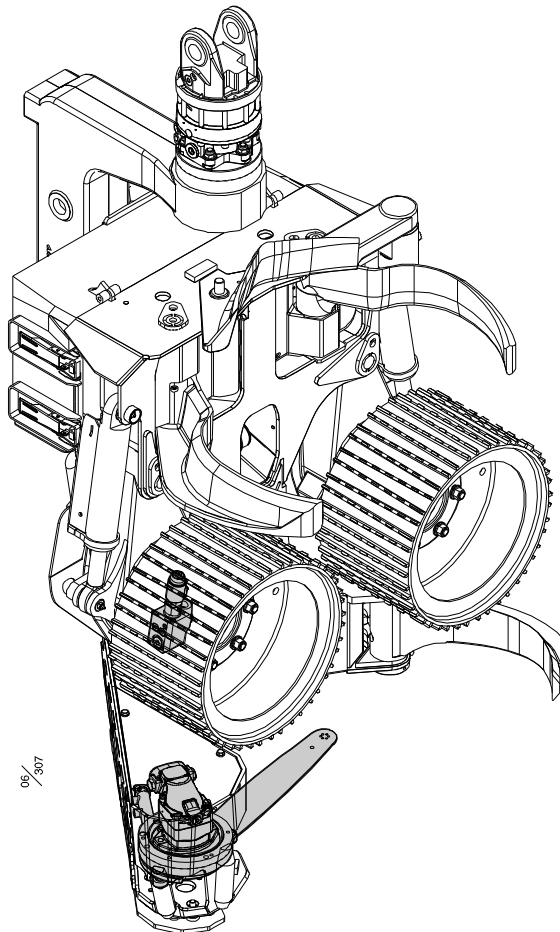


## Log Max 5000D

### Spare parts manual / Reservdelsmanual

#### 6. Saw unit / Sågenhet



Log Max

### Contents / Innehåll

Saw unit 98B / Sågenhet 98B .....	3
Saw unit 98XL / Sågenhet 98XL .....	7
Saw hydraulics 98B & 98 XL / Såghydraulik 98B & 98XL .....	11
Chain lubrication – Easy Greasy / Kedjesmörjning Easy Greasy .....	13
Easy greasy pump / Easy greasy pump .....	15

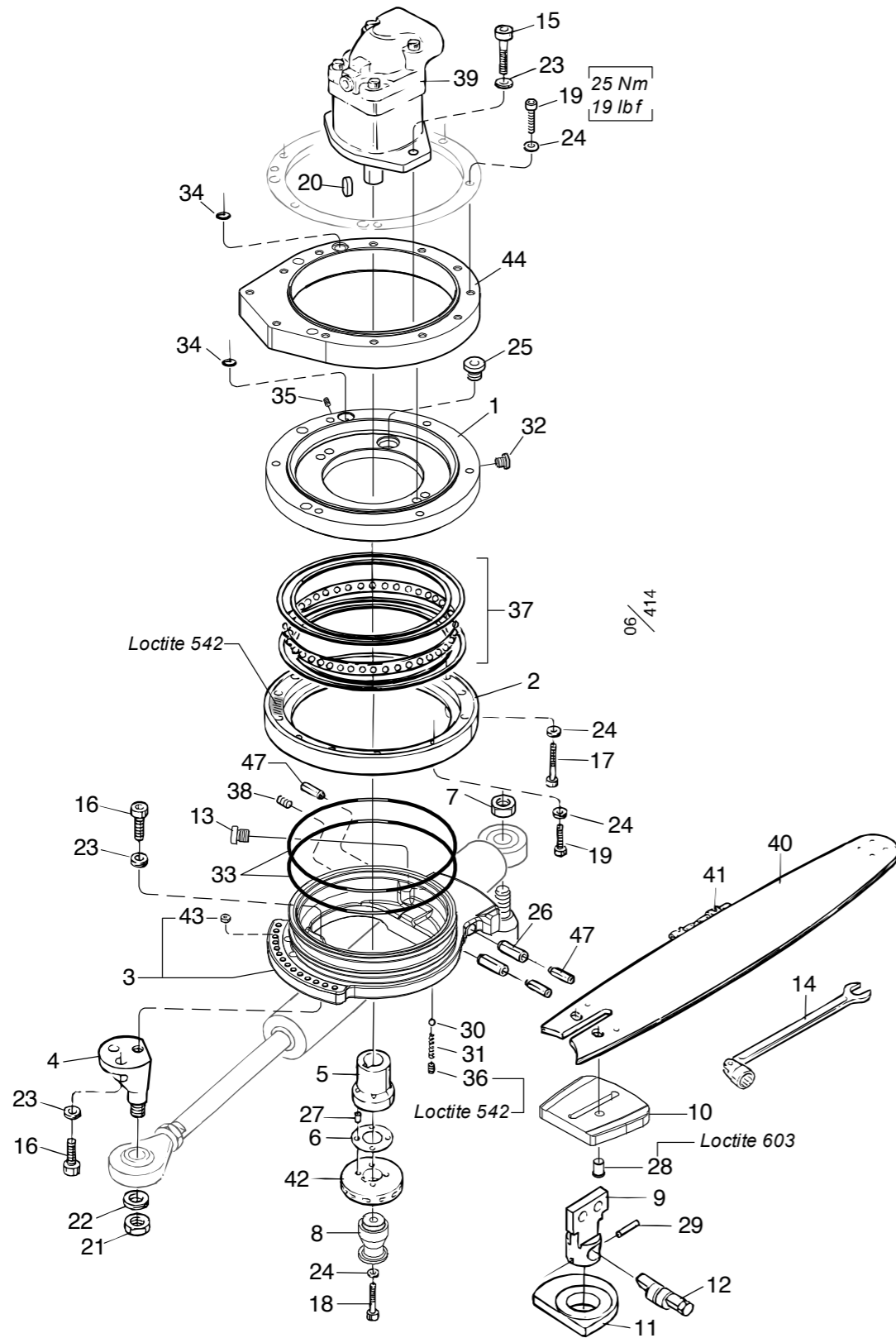


Bild 06/414	SAW UNIT 98B / SÅGENHET 98B					Struktur 005532D
Item / Position	Part no/ Art nr	Qty./ Antal	Serial no/ Serienr.	Description	Beskrivning	Notes/ Anmärkning
1	013172	1	150398-	Bracket	Montagefläns	F11 – 19
2	012514	1	- " -	Cover	Lock	
3 <sup>1</sup>	016206	1	- " -	Saw bracket	Svärdfäste	
4	012335	1	- " -	Pin	Axeltapp	
5	012334	1	- " -	Companion	Medbringare	F11 – 19
6	549210	Erf	- " -	Shim	Shims	25 – 0.5 mm
	549211	Erf	- " -	Shim	Shims	25 – 1.0 mm
7	502705	1	- " -	Nut	Mutter	M16 Locking 12.9
8	012614	1	- " -	Chain catcher	Kedjefångare	F11 – 19
9	012518	1	- " -	Pin	Tapp	
10	016935	1	- " -	Thrust plate	Tryckbricka	
11	012520	1	- " -	Excenter	Excenter	"S"
	012736	1	- " -	Excenter	Excenter	"M"
12	012519	1	- " -	Lock shaft	Låsaxel	
13	601001 <sup>1</sup>	1	- " -	Hex plug	Insexplugg	R 1/4"
14	522260	1	- " -	Comb. Wrench	Ledkombinyckel	
15	501110	2	- " -	Screw	Skruv	MC6S M12x35 12.9
16	501108	3	- " -	Screw	Skruv	MC6S M12x25 12.9
17	501076	6	- " -	Screw	Skruv	MC6S M8x55 12.9
18	501075	1	- " -	Screw	Skruv	MC6S M8x50 12.9
19	501071	18	- " -	Screw	Skruv	MC6S M8x30 12.9
20	554027 <sup>2</sup>	1	- " -	Key	Kil	F11 – 19
21	502706	1	- " -	Nut	Mutter	M16
22	503063	1	- " -	Washer	Bricka	M16 Nordlock
23	503060	5	- " -	Washer	Bricka	M12 Nordlock
24	503055	25	- " -	Washer	Bricka	M8 Nordlock
25	602090	1	- " -	Plug	Plugg	M22x1.5

<sup>1</sup>Included in Saw bracket./<sup>1</sup>Ingår i Svärdfäste.  
<sup>2</sup>Included in Saw motor./<sup>2</sup>Ingår i Sågmotor.

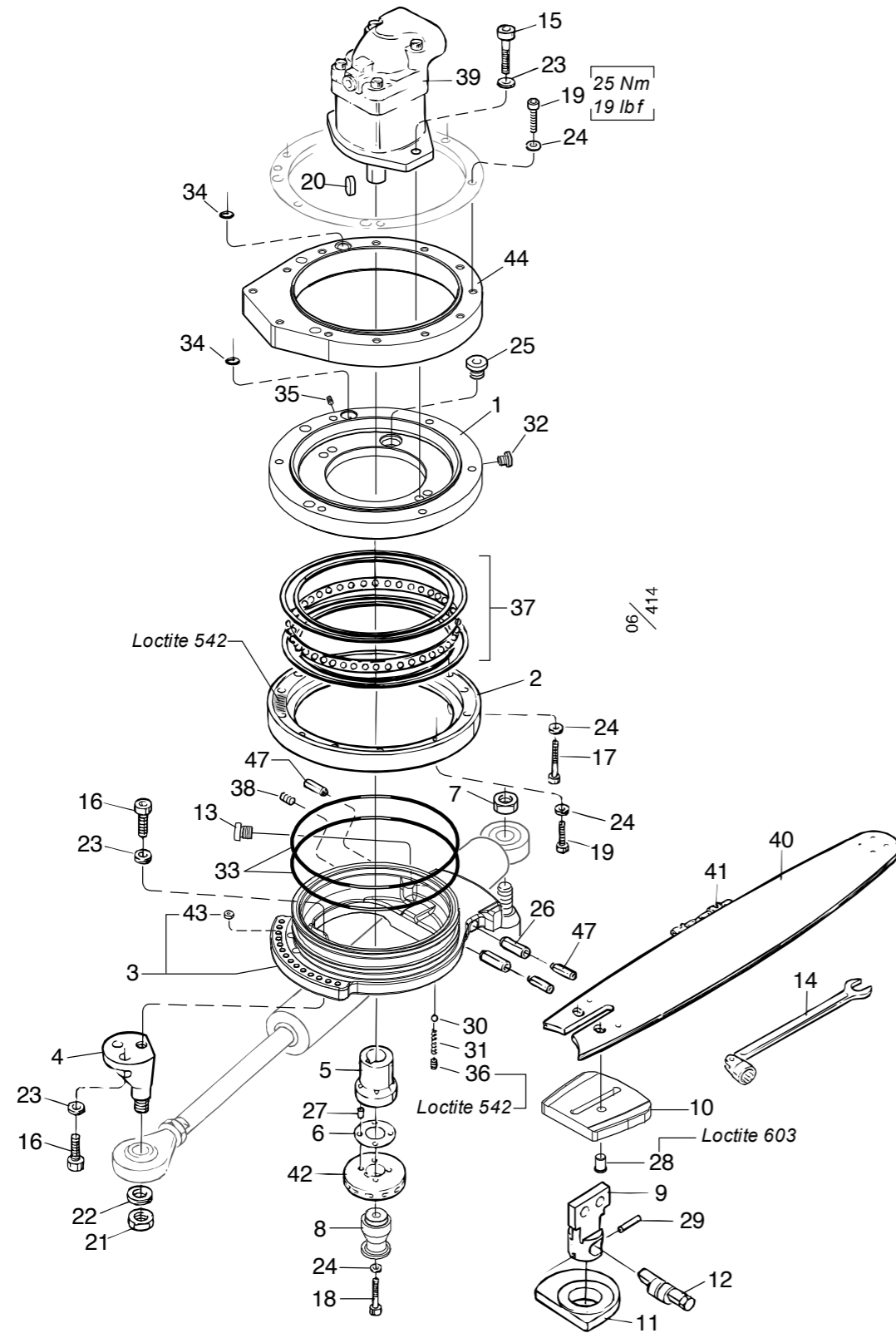


Bild 06/414	SAW UNIT 98B / SÅGENHET 98B					Struktur 005532D
Item / Position	Part no/ Art nr	Qty./ Antal	Serial no/ Serienr.	Description	Beskrivning	Notes/ Anmärkning
26	515022	2	150398-	Cyl. Pin	Cyl. pinne	Ø 12x36
27	515010	4	-"	Cyl. Pin	Cyl. pinne	Ø 6x20
28	016774	1	-"	Cyl. Pin	Cyl. bult	Ø 10
29	515013	1	-"	Tension pin	Rörpinne	6x32 FRP
30	511003 <sup>1</sup>	1	-"	Steel ball	Stålkula	
31	526014 <sup>1</sup>	1	-"	Spring	Fjäder	
32	602106	1	-"	Plug	Plugg	R 1/8" Conical /Konisk
33	543038	2	-"	O-ring	O-ring	Ø 180.0x3.0
34	540070	2	-"	O-ring	O-ring	Ø 13.3x2.4
35	513026	1	-"	Screw	Skruv	SK6SS 5x10
36	613017 <sup>1</sup>	1	-"	Orifice	Strypskruv	M6 – 2.5mm
37	508100	1	-"	Bearing unit	Lager	
38	513040 <sup>1</sup>	1	-"	Screw	Skruv	P6SS M6x6
39 <sup>2</sup>	609118	1	-"	Saw motor	Sågmotor	F11 – 19
	554232 <sup>2</sup>	1	-"	Seal kit	P-sats	
40	549518-075	1	-"	Saw bar	Sågsvärd	75 cm
41	549018-085	1	-"	Saw chain	Sågkedja	85 DL
42	549103	1	-"	Sprocket	Kedjehjul	F11 – 19/12
43	514051 <sup>1</sup>	14	-"	Magnet	Magnet	
44	016522	1	-"	Adapter plate	Adapterplatta	
47	515017	3	-"	Cyl. pin	Rörpinne	13x12 FRP

<sup>1</sup>Included in Saw bracket./ <sup>1</sup>Ingår i Svärdfäste.  
<sup>2</sup>Included in Saw motor./ <sup>2</sup>Ingår i Sågmotor.

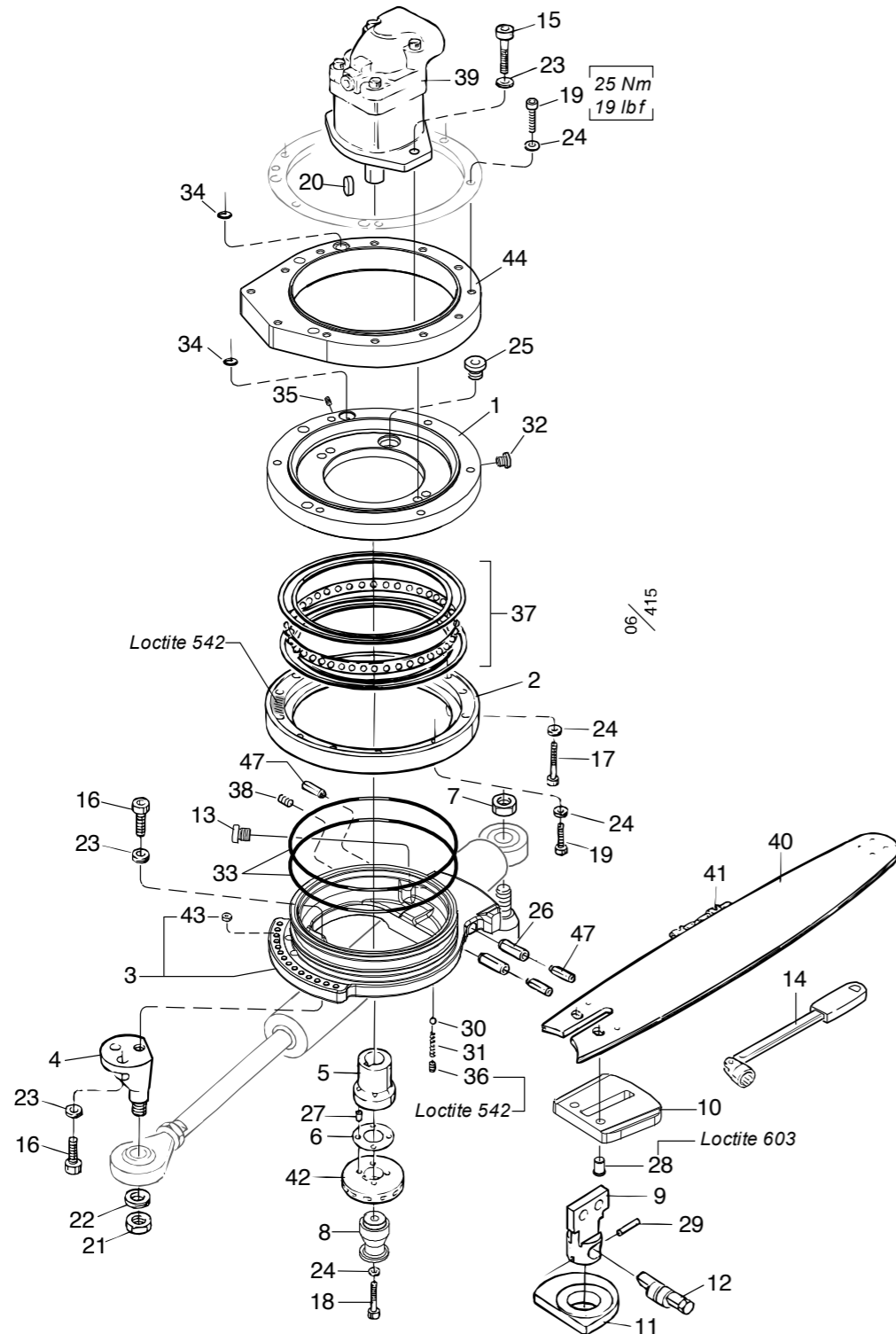


Bild 06/415	SAW UNIT 98XL / SÅGENHET 98XL					Struktur 005532D 033550
Item / Position	Part no/ Art nr	Qty./ Antal	Serial no/ Serienr.	Description	Beskrivning	Notes/ Anmärkning
1	013172	1	150398-	Bracket	Montagefläns	F11 – 19
2	012514	1	-"	Cover	Lock	
3 <sup>1</sup>	014570	1	-"	Saw bracket	Svärdfäste	
4	012335	1	-"	Pin	Axeltapp	
5	012334	1	-"	Companion	Medbringare	F11 – 19
6	549210	Erf	-"	Shim	Shims	25 – 0.5 mm
	549211	Erf	-"	Shim	Shims	25 – 1.0 mm
7	502705	1	-"	Nut	Mutter	M16 Locking 12.9
8	012614	1	-"	Chain catcher	Kedjefångare	F11 – 19
9	013684	1	-"	Pin	Tapp	
10	016936	1	-"	Thrust plate	Tryckbricka	"J"
11	015256	1	-"	Excenter	Excenter	"J"
	017118	1	-"	Excenter	Excenter	"K"
12	012519	1	-"	Lock shaft	Låsaxel	
13	601001 <sup>1</sup>	1	-"	Hex plug	Insexplugg	R 1/4"
14	522261	1	-"	Wrench	Dragskaft	16 mm
15	501110	2	-"	Screw	Skruv	MC6S M12x35 12.9
16	501108	3	-"	Screw	Skruv	MC6S M12x25 12.9
17	501076	6	-"	Screw	Skruv	MC6S M8x55 12.9
18	501075	1	-"	Screw	Skruv	MC6S M8x50 12.9
19	501071	18	-"	Screw	Skruv	MC6S M8x30 12.9
20	554027 <sup>2</sup>	1	-"	Key	Kil	F11 – 19
21	502706	1	-"	Nut	Mutter	M16
22	503063	1	-"	Washer	Bricka	M16 Nordlock
23	503060	5	-"	Washer	Bricka	M12 Nordlock
24	503055	25	-"	Washer	Bricka	M8 Nordlock
25	602090	1	-"	Plug	Plugg	M22x1.5
26	515022	2	-"	Cyl. Pin	Cyl. pinne	Ø 12x36

<sup>1</sup>Included in Saw bracket./ <sup>1</sup>Ingår i Svärdfäste.  
<sup>2</sup>Included in Saw motor./ <sup>2</sup>Ingår i Sågmotor.

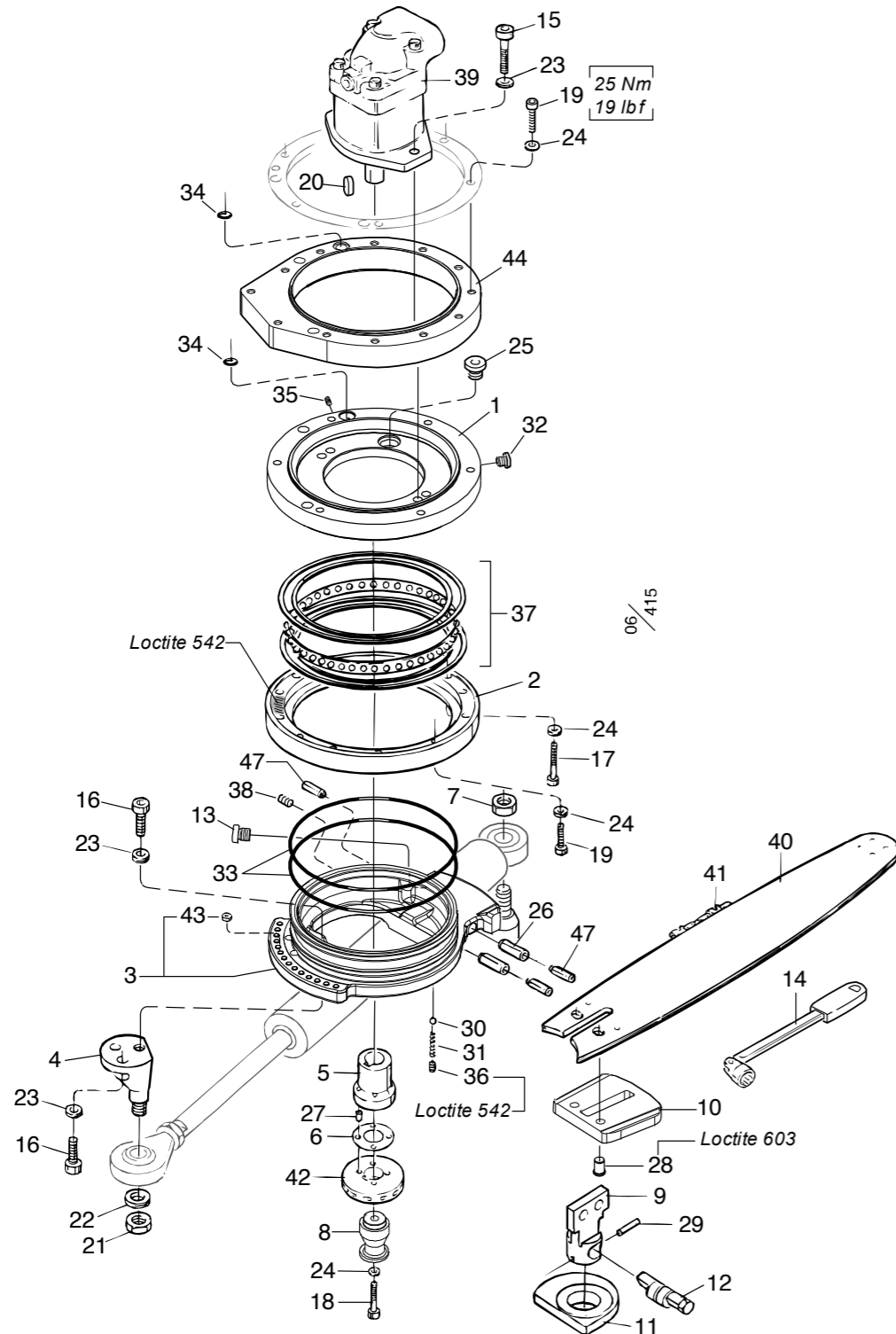


Bild 06/415	SAW UNIT 98XL / SÅGENHET 98XL					Struktur 005532D 033550
Item / Position	Part no/ Art nr	Qty./ Antal	Serial no/ Serienr.	Description	Beskrivning	Notes/ Anmärkning
27	515010	4	150398-	Cyl. Pin	Cyl. pinne	Ø 6x20
28	016774	2	-"	Cyl. Pin	Cyl. bult	Ø 10
29	515013	1	-"	Tension pin	Rörpinne	6x32 FRP
30	511003 <sup>1</sup>	1	-"	Steel ball	Stålkula	
31	526014 <sup>1</sup>	1	-"	Spring	Fjäder	
32	602106	1	-"	Plug	Plugg	R 1/8" Conical / Konisk
33	543038	2	-"	O-ring	O-ring	Ø 180.0x3.0
34	540070	2	-"	O-ring	O-ring	Ø 13.3x2.4
35	513026	1	-"	Screw	Skruv	SK6SS 5x10
36	613017 <sup>1</sup>	1	-"	Orifice	Strypskruv	M6 – 2.5 mm
37	508100	1	-"	Bearing unit	Lager	
38	513040 <sup>1</sup>	1	-"	Screw	Skruv	P6SS M6x6
39 <sup>2</sup>	609118	1	-"	Saw motor	Sågmotor	F11 – 19
	554232 <sup>2</sup>	1	-"	Seal kit	P-sats	F11 – 19
40	549518-175	1	-"	Saw bar	Sågsvärd	75 cm
41	549018-086	1	-"	Saw chain	Sågkedja	86 DL
42	549103	1	-"	Sprocket	Kedjehjul	F11 – 19/12
43	514051 <sup>1</sup>	14	-"	Magnet	Magnet	
44	016522	1	-"	Adapter plate	Adapterplatta	
47	515017	3	-"	Cyl. pin	Rörpinne	13x12 FRP

<sup>1</sup>Included in Saw bracket./ <sup>1</sup>Ingår i Svärdfäste.  
<sup>2</sup>Included in Saw motor./ <sup>2</sup>Ingår i Sågmotor.

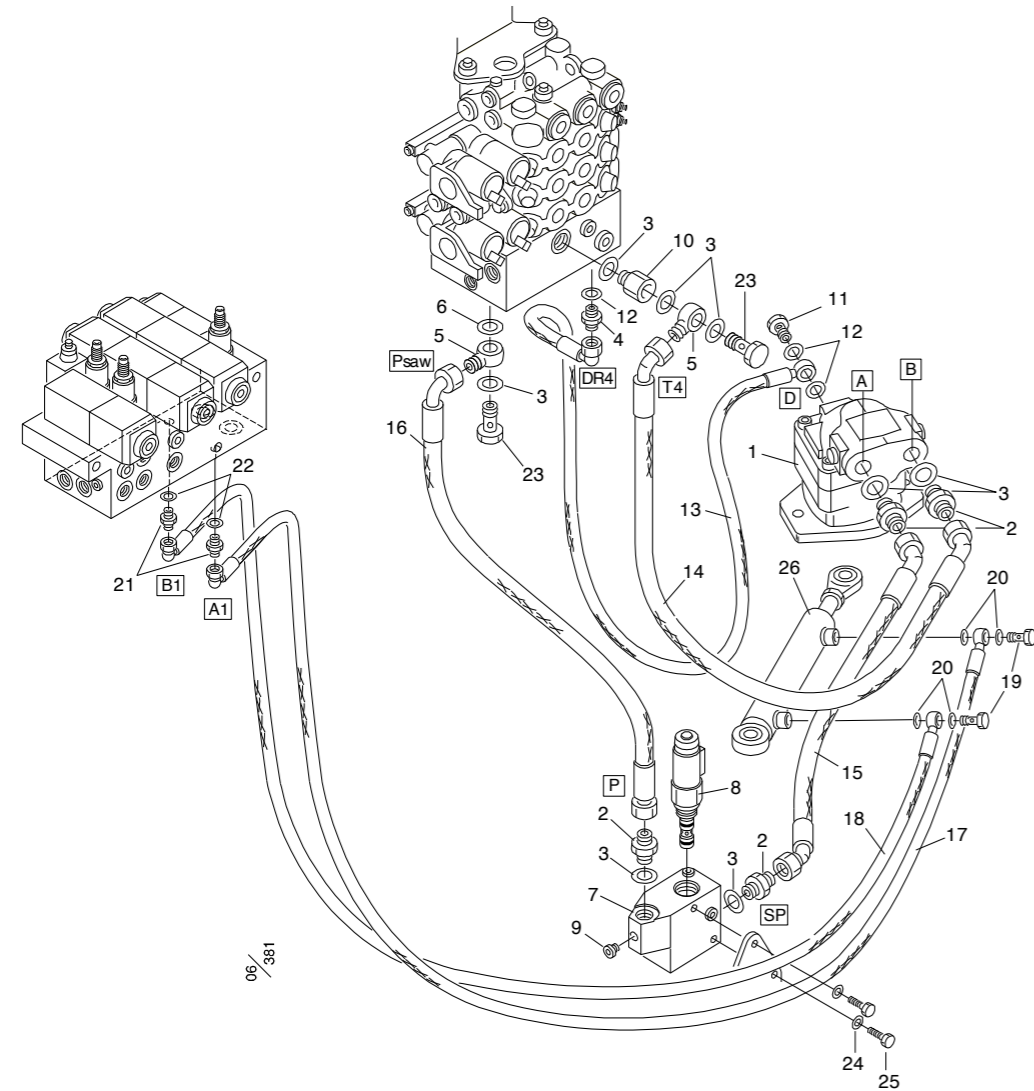


Bild 06/381	SAW HYDRAULICS 98B & 98 XL / SÅGHYDRAULIK 98B & 98XL					Struktur 005521D 005522D 005532D
	Item / Position	Part no/ Art nr	Qty./ Antal	Serial no/ Serienr.	Description	
1	609118	1	150398-	Saw motor	Sågmotor	F11 – 19
2	601040	4	- " -	Coupling	Adapter	R 3/4" UF – R 3/4" UF
3	601104	8	- " -	Seal ring	Tredo	3/4"
4	601032	1	- " -	Coupling	Adapter	R 3/8" – R 3/8"
5	602017	2	- " -	Banjo body	Banjokropp	3/4"
6	602109	1	- " -	Seal ring	Tätningring	3/4"
7 <sup>1</sup>	016726	1	- " -	Manifold cmpl	Ventilblock kompl	
8 <sup>2</sup>	612062 <sup>1</sup>	1	- " -	Saw valve	Sågventil	
	620355 <sup>2</sup>	1	- " -	Seal kit	P-sats	
	613057 <sup>2</sup>	1	- " -	Solenoid	Magnetspole	24 V
9	601001 <sup>1</sup>	1	- " -	Hex plug	Insexplugg	1/4" R
10	602057	1	- " -	Coupling	Adapter	R 3/4" – R 3/4" UF – IF
11	601061	1	- " -	Banjo bolt	Banjobult	R 3/8"
12	601102	3	- " -	Seal ring	Tätningring	3/8"
13	643030	1	- " -	Hose 3030	Slang 3030	
14	643910	1	- " -	Hose 3910	Slang 3910	
15	643909	1	- " -	Hose 3909	Slang 3909	
16	643063	1	- " -	Hose 3063	Slang 3063	
17	643079	1	- " -	Hose 3079	Slang 3079	
18	643078	1	- " -	Hose 3078	Slang 3078	
19	601060	2	- " -	Banjo bolt	Banjobult	R 1/4"
20	601200	4	- " -	Cu-washer	Cu-bricka	13x19x1.5
21	601028	2	- " -	Coupling	Adapter	R 1/4" UF – R 1/4" UF
22	601101	2	- " -	Seal ring	Tredo	1/4"
23	601067	2	- " -	Banjo bolt	Banjobult	R 3/4"
24	503057	2	- " -	Washer	Bricka	M10 Nordlock
25	500066	2	- " -	Screw	Skruv	M6S M10x20 8.8 FZB
26	015669	1	- " -	Cylinder	Cylinder	Ø 40/25 – 106

<sup>1</sup>Included in Manifold cmpl. / <sup>1</sup>Ingår i Ventilblock kompl.  
<sup>2</sup>Included in Saw valve / <sup>2</sup>Ingår i Sågventil

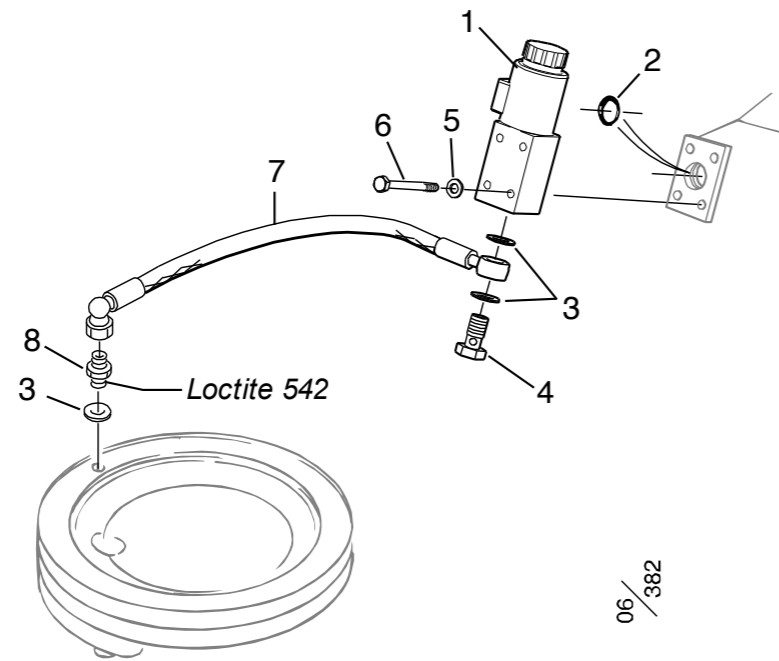


Bild 06/382		CHAIN LUBRICATION – EASY GREASY / KEDJESMÖRJNING EASY GREASY				Struktur 005513D
Item / Position	Part no/ Art nr	Qty./ Antal	Serial no/ Serienr.	Description	Beskrivning	Notes/ Anmärkning
1	033027	1	150398-	Pump cmpl	Pump kmpl	
2	540074	1	- " -	O-ring	O-ring	Ø 17.3x2.4
3	601101	3	- " -	Seal ring	Tredo	1/4"
4	601060	1	- " -	Banjo bolt	Banjobult	R 1/4"
5	503065	4	- " -	Washer	Bricka	M6 Nordlock
6	500029	4	- " -	Screw	Skruv	M6S M6x45 8.8 FZB
7	643110	1	- " -	Hose 3110	Slang 3110	
8	014092	1	- " -	Coupling	Adapter	G 1/4"

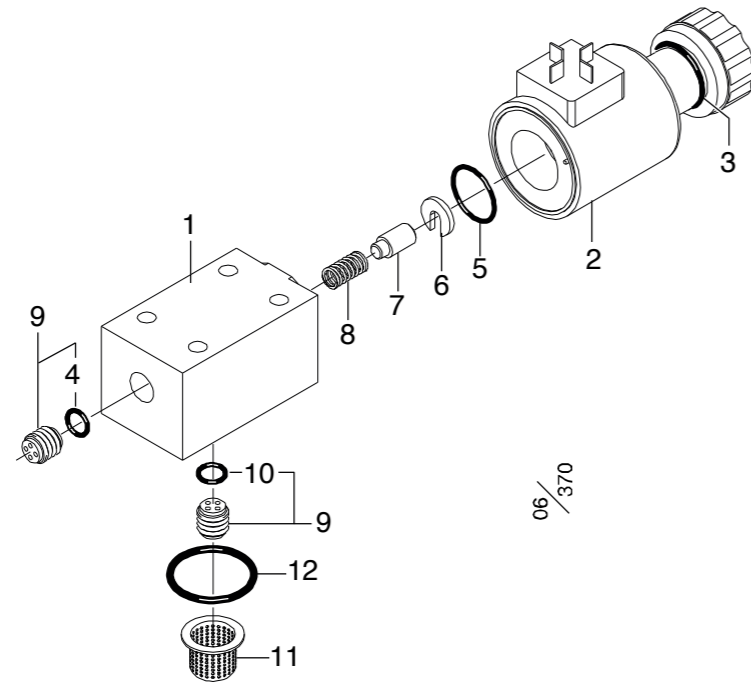


Bild 06/370	EASY GREASY PUMP / EASY GREASY PUMP					Struktur 033027
Item / Position	Part no/ Art nr	Qty./ Antal	Serial no/ Serienr.	Description	Beskrivning	Notes/ Anmärkning
1	016282	1	150398-	Pump housing	Pumphus	
2 <sup>1</sup>	613062	1	-"	Solenoid	Magnetspole	24V
3	540120 <sup>1</sup>	1	-"	O-ring	O-ring	21.82x3.53
4	543057 <sup>2</sup>	1	-"	O-ring	O-ring	9.0x1.0
5	540121 <sup>1</sup>	1	-"	O-ring	O-ring	17.17x1.78
6	016426	1	-"	Spacer	Distansbricka	
7	010897	1	-"	Piston	Kolv	0.20 cm <sup>3</sup>
8	526005	1	-"	Spring	Fjäder	
9 <sup>2</sup>	617016	2	-"	Check valve	Backventilinsats	
10	543013 <sup>2</sup>	1	-"	O-ring	O-ring	9.5x1.0
11	620302	1	-"	Filter	Sil	
12	543012	1	-"	O-ring	O-ring	27.6x2.4
<sup>1</sup> Included in Solenoid / <sup>1</sup> Ingår i Magnetspole						
<sup>2</sup> Included in Check valve / <sup>2</sup> Ingår i Backventilinsats						



**SPARE PARTS MANUAL /  
RESERVDELSMANUAL**

**Chapter Contents /  
Kapitel Innehåll**

2. Frame with protective cover /  
Ram med skyddshuv
3. Delimiting unit /  
Kvistanordning
4. Felling unit /  
Fällanordning
5. Feeding unit /  
Matningsanordning
6. Saw unit /  
Sågenhet

**7. Hydraulic system /  
Hydraulsystem**

8. Electrical system /  
Esystem
9. Accessories. optional equipment /  
Tillbehör

