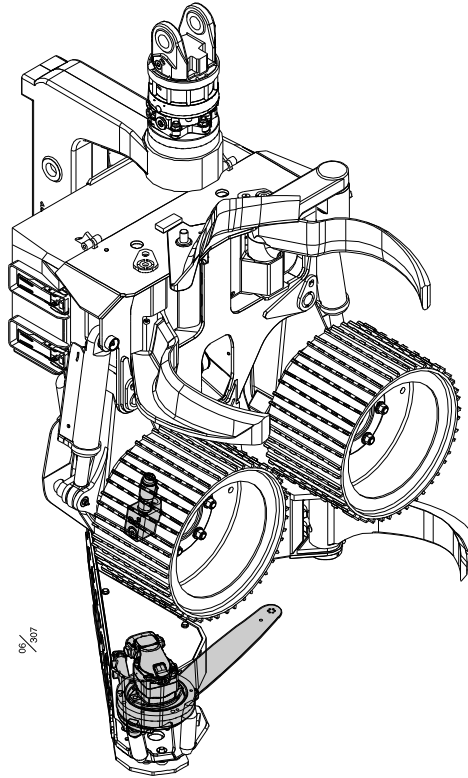


# Log Max 4000B Spare parts manual / Reservdelsmanual

## 6. Saw unit / Sågenhet



Log Max

### Content/Innehåll

SAW UNIT, Saw 98B / SÅGENHET, Såg 98B .....	3
SAW UNIT, Saw 98B / SÅGENHET, Såg 98B .....	5
SAW UNIT, 98 XL / SÅGENHET, 98 XL .....	7
SAW UNIT, Saw 211 / SÅGENHET, Såg 211 .....	9
SAW UNIT, Saw 211 / SÅGENHET, Såg 211 .....	11
CHAIN LUBRICATION / KEDJESMÖRJNING .....	13
SAW HYDRAULICS, Saw 98B / SÅG HYDRAULIK, Såg 98B .....	15
SAW HYDRAULICS, Saw 98B / SÅG HYDRAULIK, Såg 98B .....	17

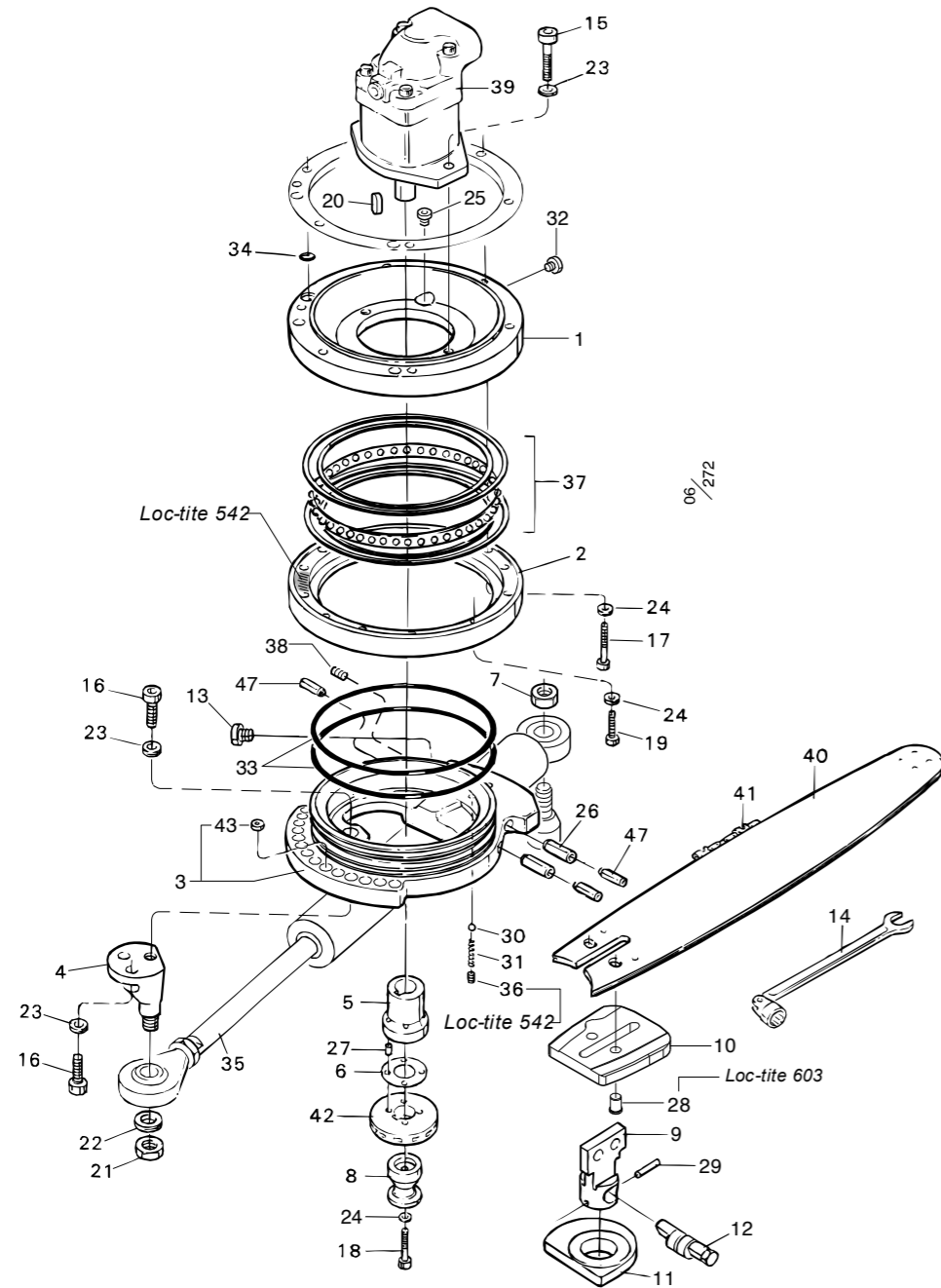


Bild 06/272	SAW UNIT, Saw 98B / SÅGENHET, Såg 98B					
Position/ Position	Part no/ Art nr	Qty/ Antal	Serial no/ Serienr	Description	Beskrivning	Notes/ Anmärkning
1	013172	1	140000-	Mount.flange	Montagefläns	F11-19
2	012514	1	-"	Plate	Fästplatta	
3 <sup>1</sup>	016206	1	-"	Bar holder	Svärdfäste	
4	012335	1	-"	Shaft	Axeltapp	
5	012334	1	-"	Driver	Medbringare	F11-19
6	549210	erf	-"	Shims	Schims	t= 0,5 mm
	549211	erf	-"	Shims	Schims	t= 1,0 mm
7	502058	1	-"	Nut	Mutter	M16 Loc
8	012614	1	-"	Chain catcher	Kedjefångare	F11-19
9	012518	1	-"	Pin	Tapp	
10	016935	1	-"	Thrust plate, wide	Tryckbricka, bred	
11	012520	1	-"	Excenter	Excenter	"S"
	012736	1	-"	Excenter	Excenter	"M"
12	012519	1	-"	Lock shaft	Låsaxel	"E"
13	601001	1	-"	Hex plug	Insexplugg	G 1/4"
14	522260	1	-"	Assemble tool	Ledkomb- inyckel	16 mm
15	501110	2	-"	Socket screw	Insexskruv	MC6S 12x35 12.9
16	501108	3	-"	Socket screw	Insexskruv	MC6S 12x25 12.9
17	501076	6	-"	Socket screw	Insexskruv	MC6S 8x55 12.9
18	501075	1	-"	Socket screw	Insexskruv	MC6S 8x50 12.9
19	501071	6	-"	Socket screw	Insexskruv	MC6S 8x30 12.9
20	554027	1	-"	Key pin	Axelkil	F11-19
	554019	1	-"	Key pin	Axelkil	F11-10
21	502706	1	-"	Nut	Mutter	M16 Nordlock
22	503063	1	-"	Washer	Bricka	M16 Nordlock
23	503060	5	-"	Washer	Bricka	M12 Nordlock
24	503055	13	-"	Washer	Bricka	M8 Nordlock
25	602090	1	-"	Plug	Plugg	M22x1,5
26	515022	2	-"	Cyl. Pin	Cylindrisk pinne	

<sup>1</sup>Included in bar holder/ <sup>1</sup>Ingår i svärdfäste

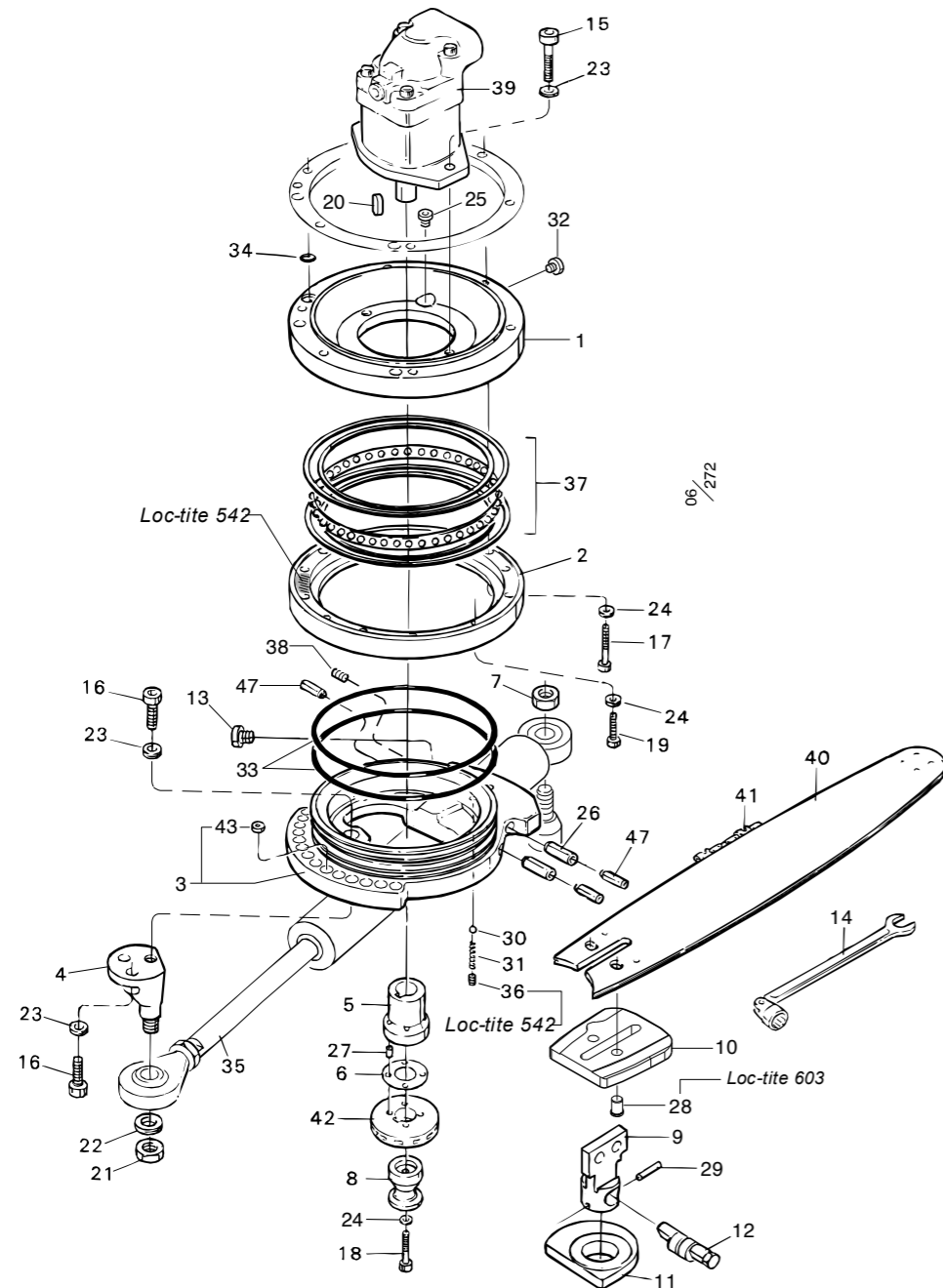


Bild 06/272	SAW UNIT, Saw 98B / SÅGENHET, Såg 98B					
Position/ Position	Part no/ Art nr	Qty/ Antal	Serial no/ Serienr	Description	Beskrivning	Notes/ Anmärkning
27	515010	4	140000-	Cyl. Pin	Cylindrisk pinne	Ø 6x20
28	016774	1	-"	Cyl. Pin	Cylindrisk pinne	Ø 10X16
29	515013	1	-"	Rolled pin	Fj. rörpinne	Ø 6x32
30	511003 <sup>1</sup>	1	-"	Steel Ball	Stålkula	
31	526014 <sup>1</sup>	1	-"	Spring	Fjäder	
32	602106	1	-"	Hex Plug	Insexplugg	G 1/8" Konisk / Conical
33	543038	2	-"	O-ring	O-ring	Ø 180x3,0
34	540070	1	-"	O-ring	O-ring	Ø 13,3x2,4
35	015669	1	-"	Hyd. Cylinder	Hydraulcylinder	
36	613017	1	-"	Orifice	Strypskruv	Ø = 2,5
37	508100	1	-"	Bearing unit	Lagerenhet	
38	513040 <sup>1</sup>	1	-"	Screw	Stoppsskruv	MS6SS 6x8
39	609018	1	-"	Saw motor	Sågmotor	F11-19 Anti cav.
	554025	1	-"	Seal box	P-box	F11-19 Anti cav.
	554232	1	-"	Seal kit	P-sats	F11-19 Anti cav.
39	609000	1	-"	Saw motor	Sågmotor	F11-10 Anti cav.
	554007	1	-"	Seal box	P-box	F11-10 Anti cav.
	010499	1	-"	Seal kit	P-sats	F11-10 Anti cav.
40	549318-059	1	-"	Saw Bar	Sågsvärd	Std. 59 cm 18H
41	549018-070	1	-"	Saw Chain	Sågkedja	18HX-70DL
	549018-069	1	-"	Saw Chain	Sågkedja	18HX-69DL 10cc
42	549103	1	-"	Sprocket	Kedjedrev	Z=12
	549100	1	-"	Sprocket	Kedjedrev	Z=11 10cc
43	514051 <sup>1</sup>	14	-"	Magnet	Magnet	
47	515017	3	-"	Rolled pin	Fjädrande rörpinne	FRP 13x12

<sup>1</sup>Included in bar holder/ <sup>1</sup>Ingår i svärdfäste

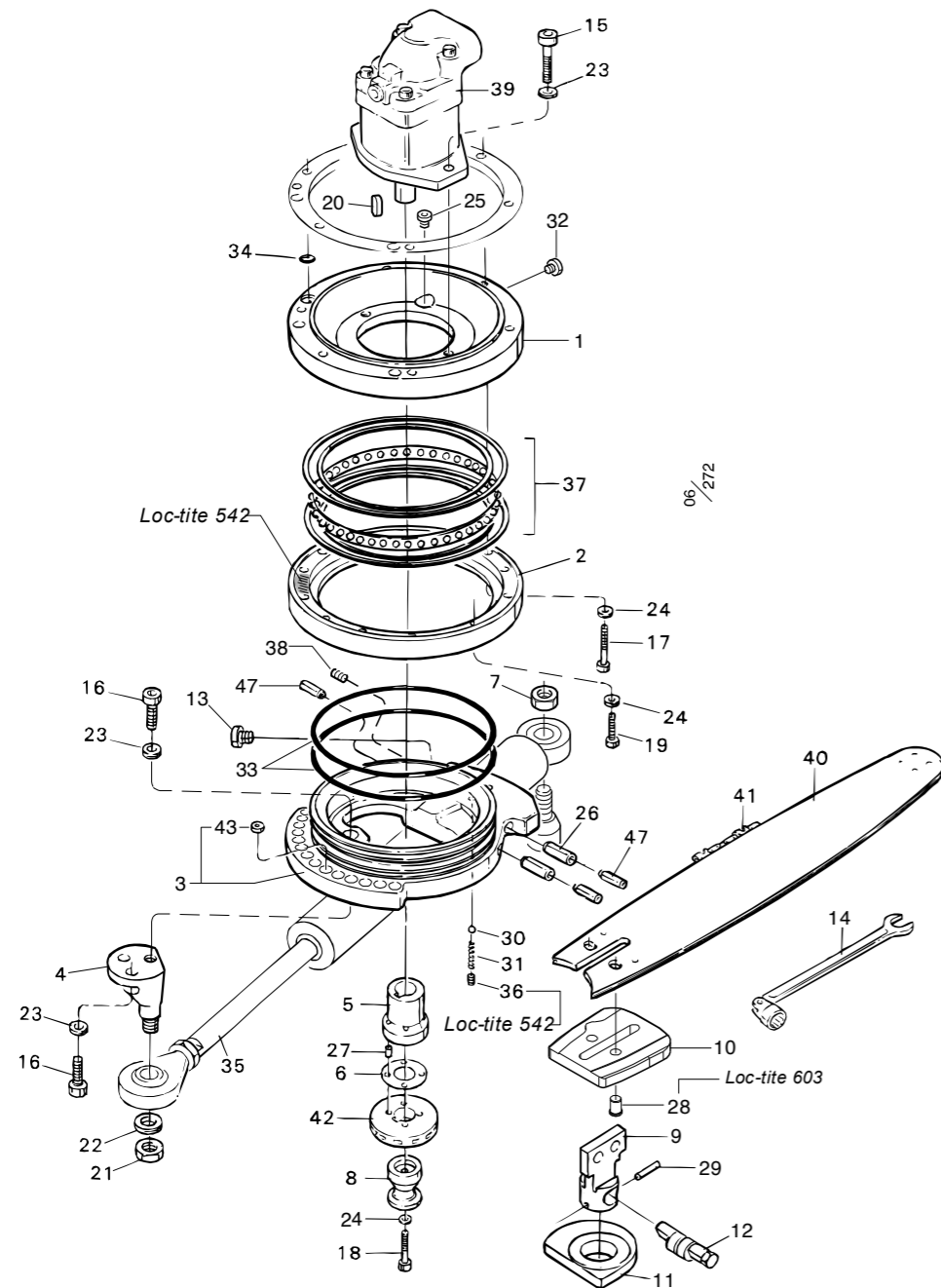
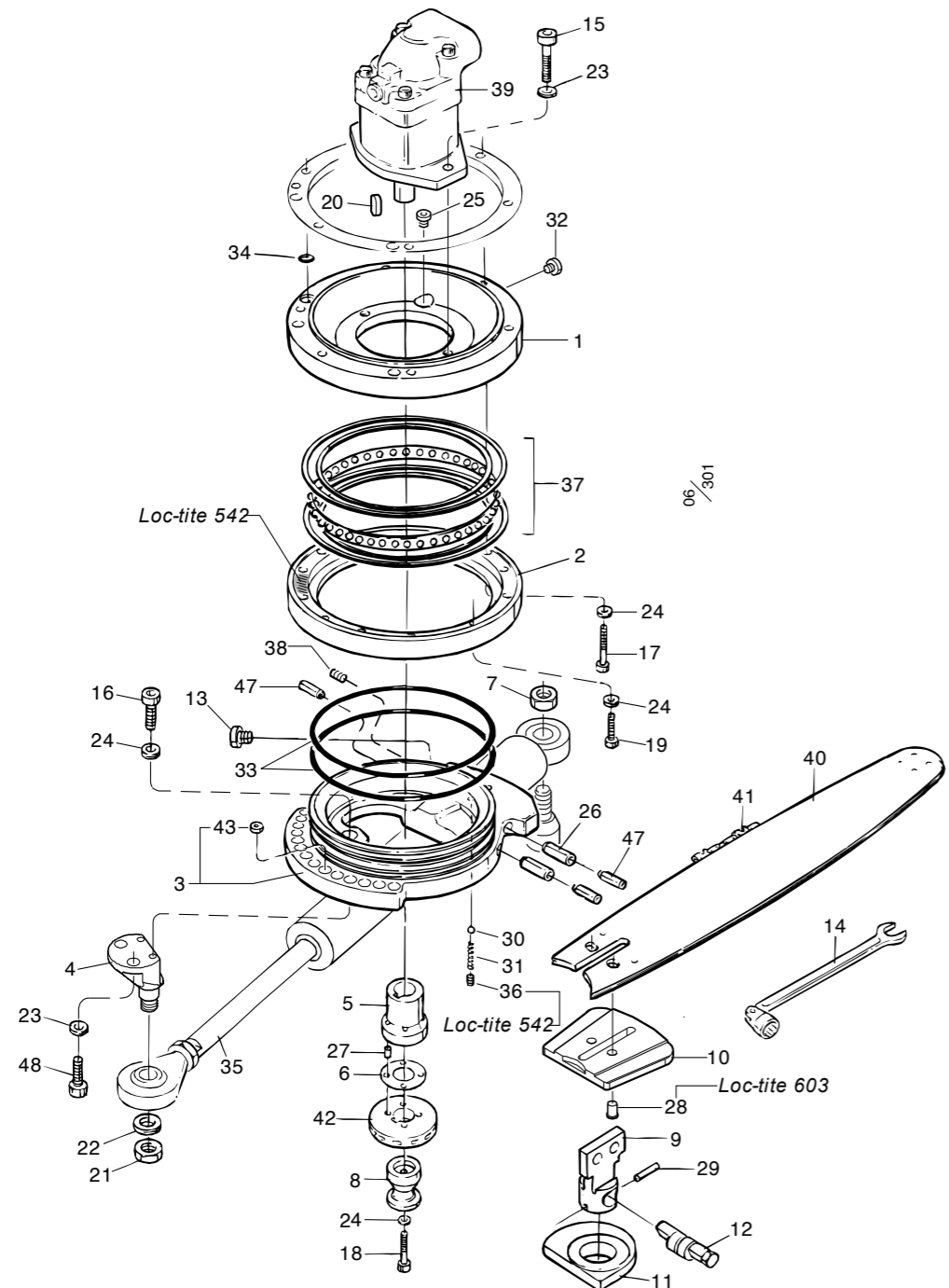


Bild 06/272	SAW UNIT, 98 XL / SÅGENHET, 98 XL					
Position/ Position	Part no/ Art nr	Qty/ Antal	Serial no/ Serienr	Description	Beskrivning	Notes/ Anmärkning
3 <sup>1</sup>	014570	1	140000-	Saw bracket	Svärdfäste	98XL
9	013684	1	- " -	Pin	Tapp	"J"
10	016936	1	- " -	Thrust plate, wide	Tryckbricka, bred	"J"
11	015256	1	- " -	Excenter	Excenter	"J"
	017118	1	- " -	Excenter	Excenter	"K"
40	549318- 160	1	- " -	Saw Bar	Sågsvärd	60CM 18H JET-FIT
41	549018- 071	1	- " -	Saw Chain	Sågkedja	18H-71 DL
42	549103	1	- " -	Sprocket	Kedjedrev	Z=12
<sup>1</sup> Included in Saw bracket./ <sup>1</sup> Ingår i svärdfäste.						



Log Max Såg 211 - 4000 B

Bild 06/301	SAW UNIT, Saw 211 / SÅGENHET, Såg 211					
Position/ Position	Part no/ Art nr	Qty/ Antal	Serial no/ Serienr	Description	Beskrivning	Notes/ Anmärkning
1	013172	1	140000-	Mount.flange	Montagefläns	F11-19
2	012514	1	-"	Plate	Fästplatta	
3 <sup>1</sup>	006500	1	-"	Bar holder	Svärdfäste	
4	016547	1	-"	Shaft	Axeltapp	
5	016565	1	-"	Driver	Medbringare	F11-19
6	549210	erf	-"	Shims	Schims	t= 0,5 mm
	549211	erf	-"	Shims	Schims	t= 1,0 mm
7	502058	1	-"	Nut	Mutter	M16 Loc
8	012614	1	-"	Chain catcher	Kedjefångare	F11-19
9	016544	1	-"	Pin	Tapp	
10	016937	1	-"	Thrust plate, wide	Tryckbricka, bred	
11	016545	1	-"	Excenter	Excenter	Std. FOR/FÖR 3/4"
	016533	1	-"	Excenter	Excenter	FOR/FÖR 0,404"
	012736	1	-"	Excenter	Excenter	"M"
12	012519	1	-"	Lock shaft	Låsaxel	"E"
13	601001	1	-"	Hex plug	Insexplugg	G 1/4"
14	522260	1	-"	Assemble tool	Ledkombinyckel	16 mm
15	501110	2	-"	Socket screw	Insexskruv	MC6S 12x35
16	501070	2	-"	Socket screw	Insexskruv	MC6S M8X25 12.9
17	501076	6	-"	Socket screw	Insexskruv	MC6S 8x55
18	501077	1	-"	Socket screw	Insexskruv	MC6S 8x60 12.9 FOR/FÖR 3/4" STD
	501076	1	-"	Socket screw	Insexskruv	MC6S M8X55 12.9 FOR/FÖR 0,404"
19	501071	6	-"	Socket screw	Insexskruv	MC6S 8x30
20	554027	1	-"	Key pin	Axelkil	F11-19
21	502706	1	-"	Nut	Mutter	M16 Nordlock
22	503063	1	-"	Washer	Bricka	M16 Nordlock
23	503060	4	-"	Washer	Bricka	M12 Nordlock
24	503055	15	-"	Washer	Bricka	M8 Nordlock
25	602090	1	-"	Plug	Plugg	M22x1,5
26	515022	2	-"	Cyl. Pin	Cylindrisk pinne	

<sup>1</sup>Included in bar holder/ <sup>1</sup>Ingår i svärdfäste

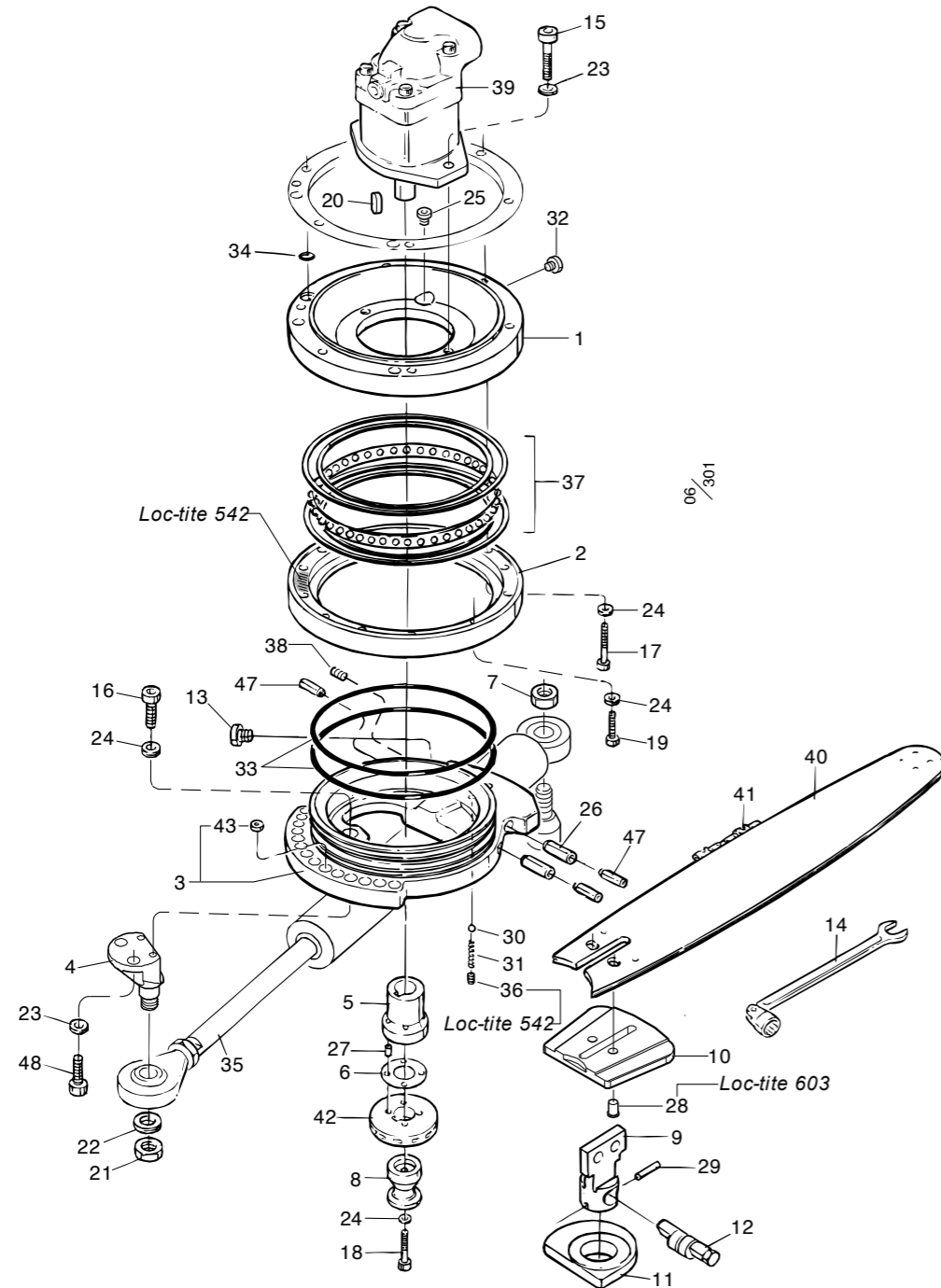
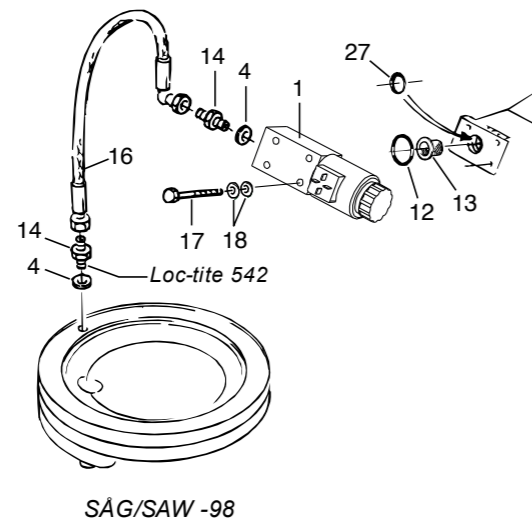
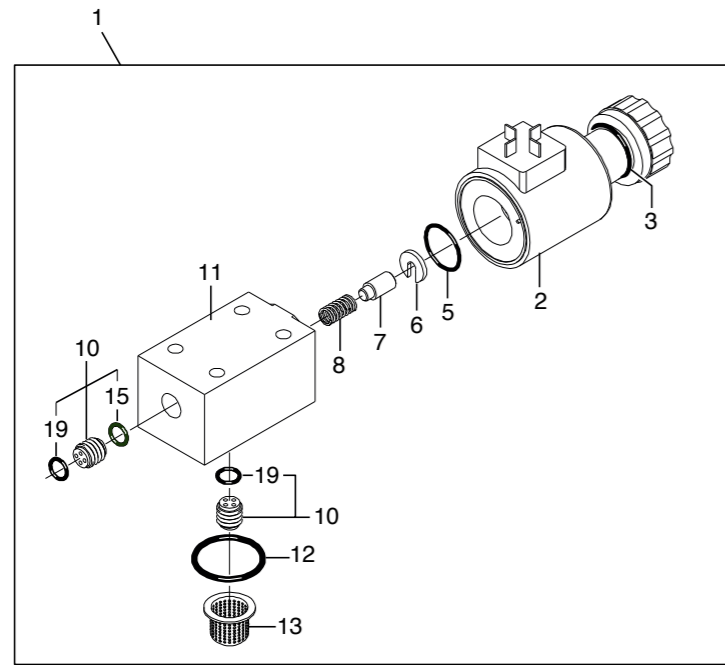


Bild 06/301	SAW UNIT, Saw 211 / SÅGENHET, Såg 211					
Position/ Position	Part no/ Art nr	Qty/ Antal	Serial no/ Serienr	Description	Beskrivning	Notes/ Anmärkning
27	515010	4	140000-	Cyl. Pin	Cylindrisk pinne	Ø 6x20
28	016774	2	-"	Cyl. Pin	Cylindrisk pinne	Ø 10X16
29	515013	1	-"	Rolled pin	Fj. rörpinne	Ø 6x32
30	511003 <sup>1</sup>	1	-"	Steel Ball	Stålkula	
31	526014 <sup>1</sup>	1	-"	Spring	Fjäder	
32	601000	1	-"	Hex Plug	Insexplugg	G 1/8"
33	543038	2	-"	O-ring	O-ring	Ø 180x3,0
34	540070	1	-"	O-ring	O-ring	Ø 13,3x2,4
35	015669	1	-"	Hyd. Cylinder	Hydraulcylinder	
36	613017	1	-"	Orifice	Strypskruv	Ø = 2,5
37	508100	1	-"	Bearing unit	Lagerenhet	
38	513040 <sup>1</sup>	1	-"	Screw	Stoppkruv	MS6SS 6x8
39	609018	1	-"	Saw motor	Sågmotor	F11-19 Anti cav.
	554025	1	-"	Seal box	P-box	F11-19 Anti cav.
	554232	1	-"	Seal kit	P-sats	F11-19 Anti cav.
40	022098	1	-"	Saw Bar	Sågsvärd	Std 56cm <sup>3/4</sup> "
	549318-059	1	-"	Saw Bar	Sågsvärd	59 cm 18H
41	549011-036	1	-"	Saw Chain	Sågkedja	Std 11H-36DL for <sup>3/4</sup> "
	549018-071	1	-"	Saw Chain	Sågkedja	18HX-71 DL
42	016663	1	-"	Sprocket	Kedjedrev	Std 3/4" Z=7
	016567	1	-"	Sprocket	Kedjedrev	0.404 Z=12
43	514051 <sup>1</sup>	14	-"	Magnet	Magnet	
47	515017	3	-"	Rolled pin	Fjädrande rörpinne	FRP 13x12
48	501108	2	-"	Socket screw	Insexskruv	MC6S 12x25

<sup>1</sup>Included in bar holder/ <sup>1</sup>Ingår i svärdfäste



06/296

Bild 06/296	CHAIN LUBRICATION / KEDJESMÖRJNING					
	Position/ Position	Part no/ Art nr	Qty/ Antal	Serial no/ Serienr	Description	Beskrivning
1 <sup>1</sup>	033027	1	140000-	Pump compl.	Pump kmpl.	24 V
2	613062 <sup>1</sup>	1	-"	Solenoid	Magnetspole	24 V
3	514020	1	-"	O-ring	O-ring	Ø 21.82x3.53
4	601101	2	-"	Seal ring	Tredo	G ¼"
5	514021	1	-"	O-ring	O-ring	Ø 17.17x1.78
6	016426 <sup>1</sup>		-"	Washer	Bricka	
7	010897 <sup>1</sup>	1	-"	Piston	Kolv	0,20 cm <sup>3</sup>
8	526005 <sup>1</sup>	1	-"	Spring	Fjäder	
10 <sup>2</sup>	617016 <sup>1</sup>	2	-"	Check valve	Backventil	
11	016282 <sup>1</sup>	1	-"	Pump housing	Pumphus	
12	543012 <sup>1</sup>	1	-"	O-ring	O-ring	Ø 27,6x2,4
13	620302 <sup>1</sup>	1	-"	Filter	Sil	
14	601028	2		Coupling	Adapter	R ¼" UF
15	543057 <sup>2</sup>	1	-"	O-ring	O-ring	Ø 9,0x1,0 Grön/Green
16	644069	1	-"	Hose 4069	Slang 4069	
17	500029	4	-"	Screw	Skruv	M6S M6x45 8.8
18	503065	4	-"	Washer	Bricka	Nordlock M6
19	543013 <sup>2</sup>	2	-"	O-ring	O-ring	Ø 9,5x1,0 Svart/Black
27	540074	1	-"	O-ring	O-ring	Ø 17,3 x 2,4

<sup>1</sup>Included in Pump compl. 24 V./ <sup>1</sup>Ingår i Pump kompl. 24 V.

<sup>2</sup>Included in Non- return valve compl./ <sup>2</sup>Ingår i Backventil kompl.

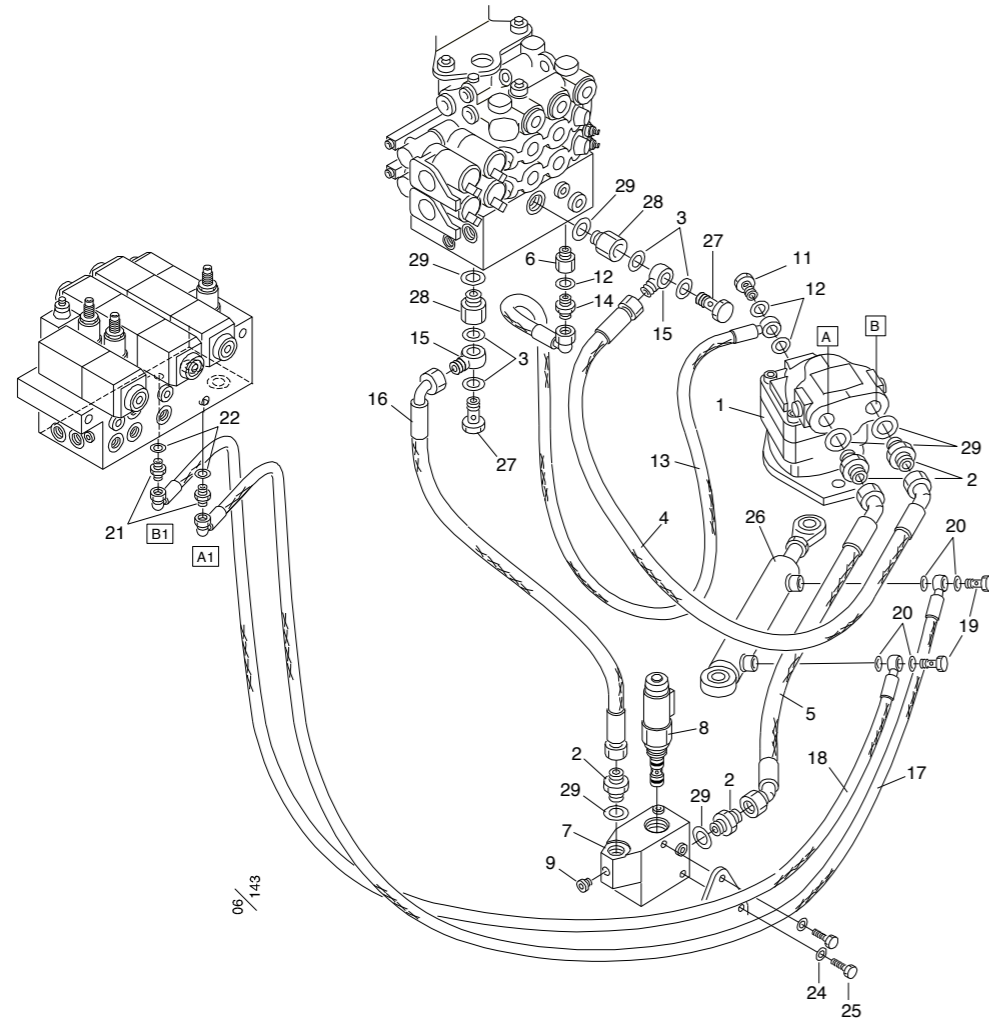


Bild 06/143	SAW HYDRAULICS, Saw 98B / SÅG HYDRAULIK, Såg 98B					
Position/ Position	Part no/ Art nr	Qty/ Antal	Serial no/ Serienr	Description	Beskrivning	Notes/ Anmärkning
1	609000	1	140000-	Saw motor	Sågmotor	F11-10 Anti cav.
	609018	1	- " -	Saw motor	Sågmotor	F11-19 Anti cav.
2	601037	4	- " -	Coupling	Adapter	G 1/2"UF- G 3/4"UF
3	601103	4	- " -	Seal ring	Tredo	1/2"
4	644169	1	- " -	Hose 4169	Slang 4169	
5	644168	1	- " -	Hose 4168	Slang 4168	
6	602051	1	- " -	Coupling	Adapter	G 3/8"- G 3/8" UF-IF
7 <sup>1</sup>	016726	1	- " -	Manifold cmpl	Ventilblock kompl	
	612034 <sup>1</sup>	1	- " -	Manifold saw	Sågventil	
8 <sup>2</sup>	612062 <sup>1</sup>	1	- " -	Saw valve	Sågventil	
	620355 <sup>2</sup>	1	- " -	Seal kit	P-sats för	612062, 612061
	613057 <sup>2</sup>	1	- " -	Solenoid	Magnetspole	24 V
9	601001 <sup>1</sup>	1	- " -	Hex plug	Insexplugg	1/4" G
11	601061	1	- " -	Banjo bolt	Banjobult	R 3/8"
12	601102	3	- " -	Seal ring	Tredo	G 3/8"
13	644033	1	- " -	Hose 4033	Slang 4033	
14	601032	1	- " -	Coupling	Adapter	G 3/8"UF-UF
15	602016	2	- " -	Banjo body	Banjokropp	G 1/2"
16	644030	1	- " -	Hose 4030	Slang 4030	
17	644044	1	- " -	Hose 4044	Slang 4044	
18	644043	1	- " -	Hose 4043	Slang 4043	
19	601060	2	- " -	Banjo bolt	Banjobult	R 1/4"



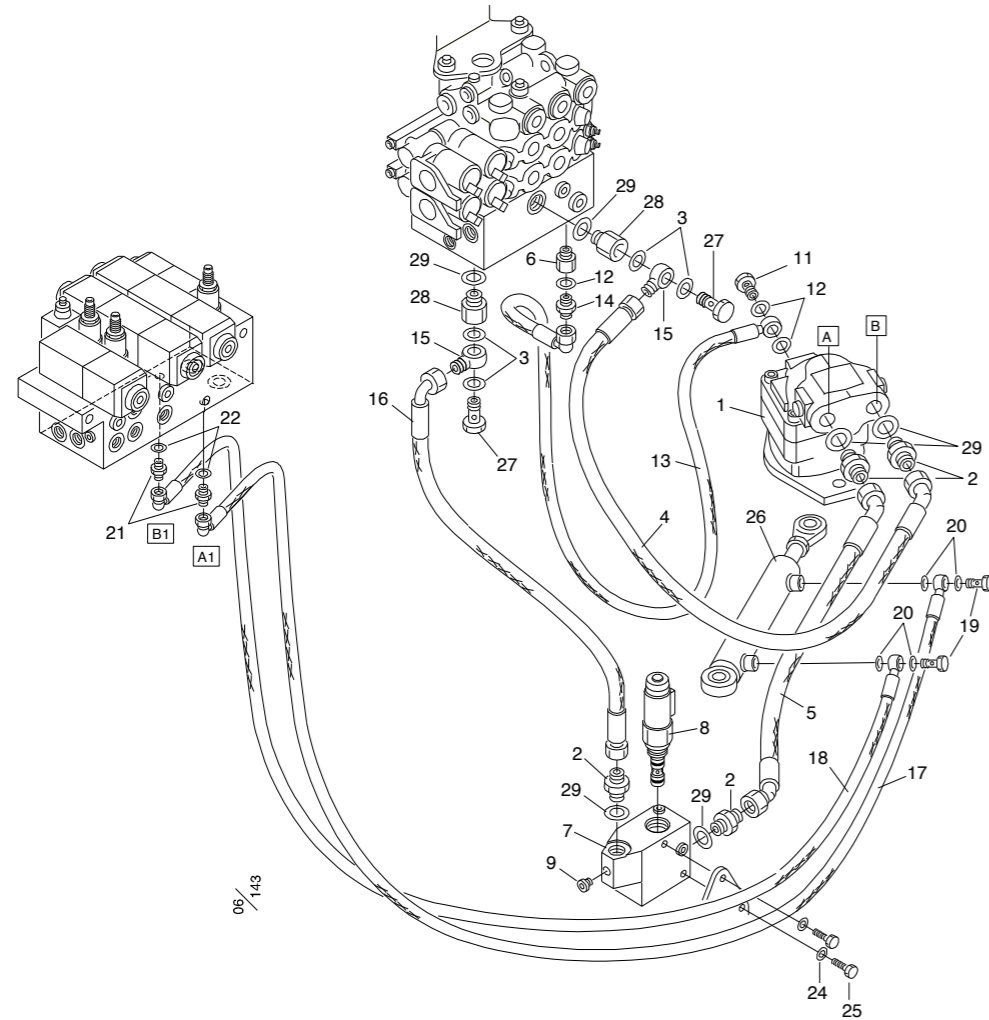


Bild 06/143	SAW HYDRAULICS, Saw 98B / SÅG HYDRAULIK, Såg 98B					
Position/ Position	Part no/ Art nr	Qty/ Antal	Serial no/ Serienr	Description	Beskrivning	Notes/ Anmärkning
20	601200	4	140000	Cu-washer	Cu-bricka	13x19x1.5
21	601029	2	- " -	Coupling	Adapter	G 1/4"UF- G 3/8"UF
22	601102	2	- " -	Seal ring	Tredo	G 3/8"
24	503075	2	- " -	Washer	Bricka	Nordlock M10
25	500066	2	- " -	Screw	Skruv	M6S M10x20 8.8
26	015669	1	- " -	Cylinder	Cylinder	
27	601062	2	- " -	Banjo bolt	Banjobult	R 1/2"
28	601057	1	- " -	Coupling	Adapter	G 3/4"UF- G 1/2"IF
29	601104	6	- " -	Seal ring	Tredo	G 3/4"

<sup>1</sup>Included in Saw valve cml./ <sup>1</sup>Ingår i Sågventil kmpl.

**SPARE PARTS MANUAL /  
RESERVDELSMANUAL**

**Chapter Contents /  
Kapitel Innehåll**

2. Frame with protective cover /  
Ram med skyddshuv
3. Delimiting unit /  
Kvistanordning
4. Felling unit /  
Fällanordning
5. Feeding unit /  
Matningsanordning
6. Saw unit /  
Sågenhet

**7. Hydraulic system /  
Hydraulsystem**

8. Electrical system /  
Elsystem
9. Accessories. optional equipment /  
Tillbehör

