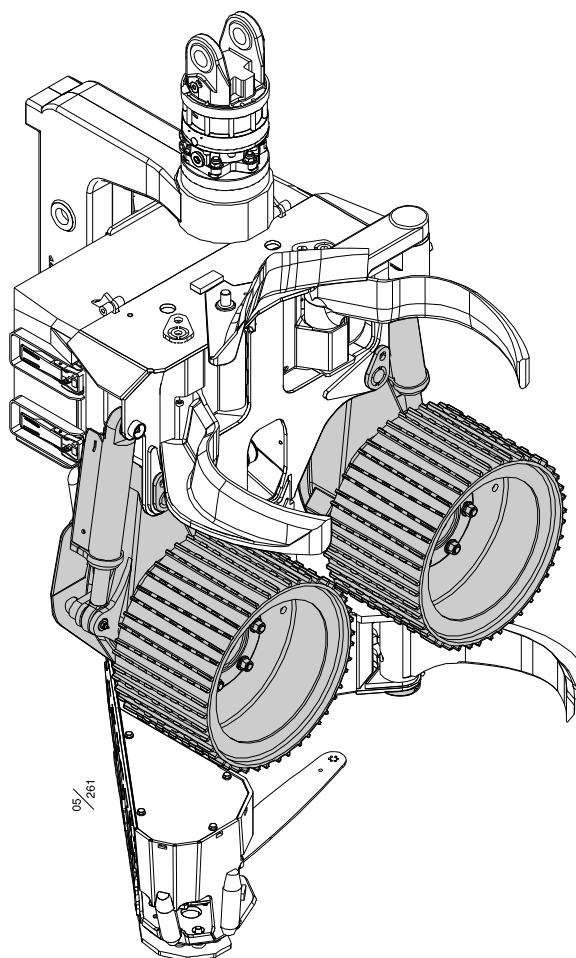


## **Log Max 5000D**

### **Spare parts manual / Reservdelsmanual**

#### **5. Feeding unit / Matningsanordning**

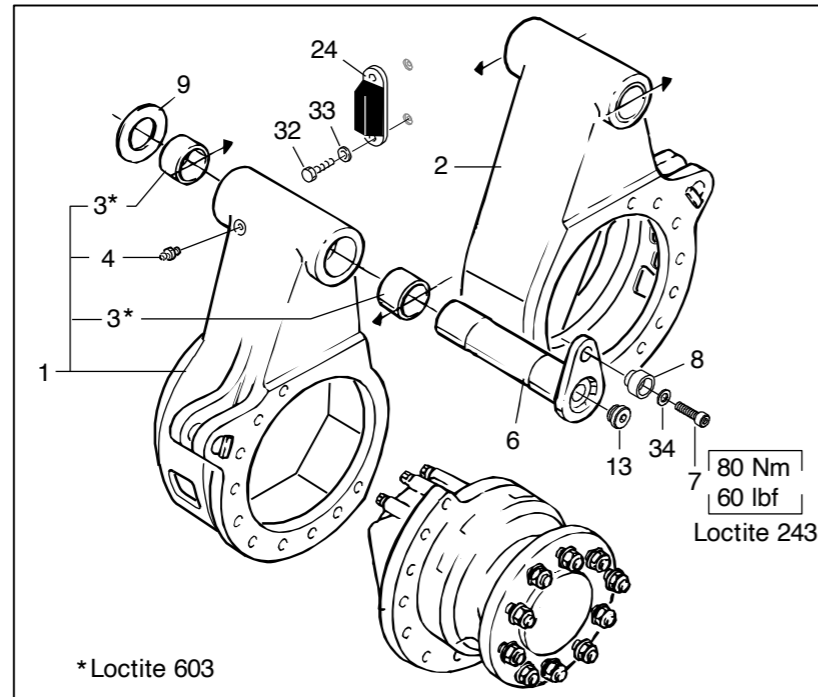
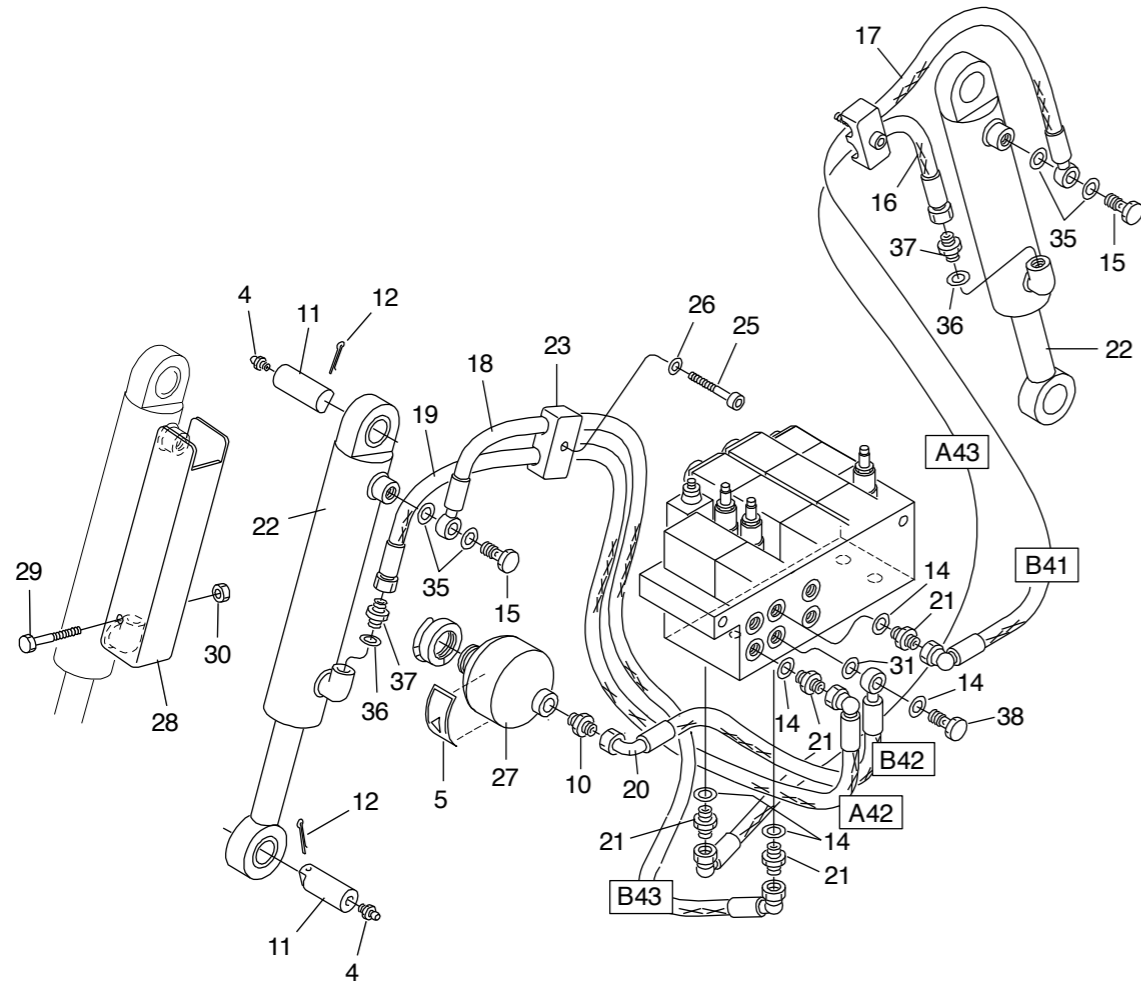


Log Max

### **Contents / Innehåll**

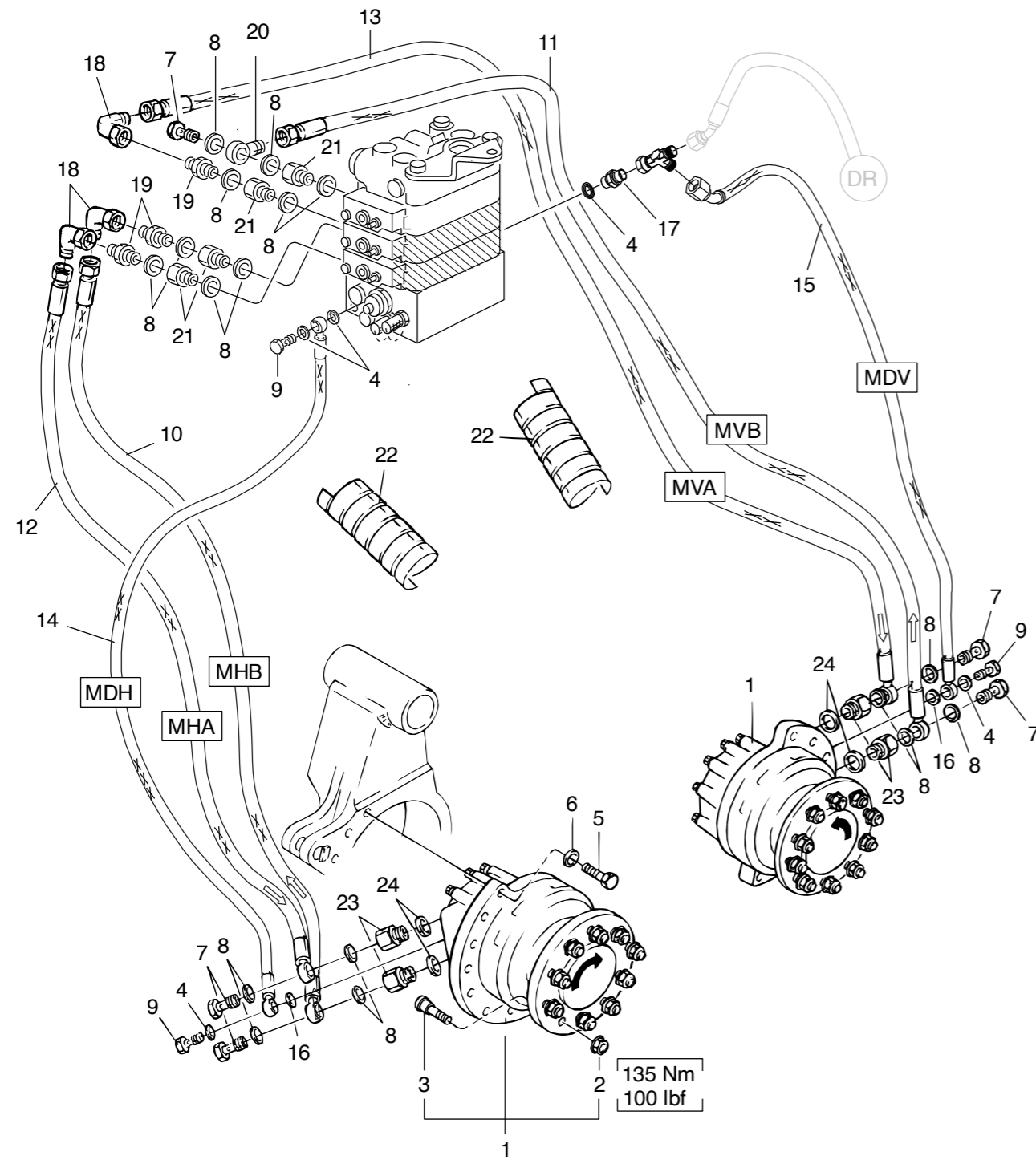
Feed roller arms #2 / Matarhjulsarmar #2 .....	3
Feed roller motors #2 / Matarhjulsmotorer #2 .....	7
Feed roller arms / Matarhjulsarmar .....	9
Feed roller motors / Matarhjulsmotorer .....	13
Feed rollers, V – steel / Matarhjul, V – stål .....	15
Feed rollers, Eucalyptus 45° / Matarhjul, Eucalyptus 45° .....	17





05/024

Bild 05/024	FEED ROLLER ARMS #2 / MATARHJULSARMAR #2					Struktur 005509D-2
	Item / Position	Part no/ Art nr	Qty./ Antal	Serial no/ Serienr.	Description	
26	503055	2	150446-	Washer	Bricka	M8 Nordlock
27	610130	1	-"	Accumulator	Ackumulator	0.32 L – 0 Bar Empty / Oladdad
	610104	1	-"	Accumulator	Ackumulator	0.32 L – 85 Bar Loaded / Laddad
28	012121	2	-"	Cover	Skydd	
29	500077	2	-"	Screw	Skruv	M6S M10x70 8.8 FZB
30	502055	2	-"	Nut	Mutter	M10 Locking. Low / Låg
31	602110	1	-"	Seal ring	Tätningring	3/8"
32	500022	4	-"	Screw	Skruv	M6S M6x14 8.8 FZB
33	503073	4	-"	Washer	Bricka	M6 Nordlock
34	503060	2	-"	Washer	Bricka	M12 Nordlock
35	601200	4	-"	Copper seal	Kopparbricka	13x19x1.5
36	601101	2	-"	Bonded seal	Tredobricka	1/4"
37	601028	2	-"	Adapter	Adapter	R 1/4" UF – R 1/4" UF
38	601061	1	-"	Banjo screw	Banjoskruv	R 3/8"



➔ Direction of rotation / Rotationsriktning  
⇒ Oil flow / Oljeflöde

05/027

Log Max 5000D - Feed roller motors

Bild 05/002	FEED ROLLER MOTORS #2 / MATARHJULSMOTORER #2					Struktur 609058 035044
	Item / Position	Part no/ Art nr	Qty./ Antal	Serial no/ Serienr.	Description	
1 <sup>1</sup>	609052	2	150446-	Feed roller motor cmpl	Matarhjulsmotor kmpl.	560 ccm
1 <sup>2</sup>	609058	2	-"	Feed roller motor cmpl.	Matarhjulsmotor kmpl.	625 ccm
2	537010 <sup>1,2</sup>	20	-"	Wheel nut	Hjulmutter	
3	635102 <sup>1,2</sup>	20	-"	Wheel stud	Hjulfult	
4	601102	5	-"	Bonded seal	Tredobricka	3/8"
5	500131	20	-"	Screw	Skruv	M6S M16x40 8.8 FZB
6	503063	20	-"	Washer	Bricka	M16 Nordlock
7	601062	5	-"	Banjo screw	Banjoskruv	R 1/2"
8	601103	17	-"	Bonded seal	Tredobricka	1/2"
9	601061	3	-"	Banjo screw	Banjoskruv	R 3/8"
10	643032	1	-"	Hydraulic hose	Hydraulslang	
11	643083	1	-"	Hydraulic hose	Hydraulslang	
12	643031	1	-"	Hydraulic hose	Hydraulslang	
13	643034	1	-"	Hydraulic hose	Hydraulslang	
14	643033	1	-"	Hydraulic hose	Hydraulslang	
15	643036	1	-"	Hydraulic hose	Hydraulslang	
16	602110	2	-"	Seal ring	Tätningring	3/8"
17	601032	1	-"	Adapter	Adapter	R 3/8" – R 3/8"
18	602026	3	-"	Elbow	Vinkeladapter	R 1/2" UF – IF 90
19	601036	3	-"	Adapter	Adapter	R 1/2" UF – R 1/2" UF
20	602016	1	-"	Adapter	Adapter	1/2"
21	013805	4	-"	Adapter	Anslutnings- nippel	G 1/2" IF – 1/2" UF
22	615051	2	-"	Hose cover	Slangskydd	2", L=600 mm
23	601053	4	-"	Adapter	Adapter	R 3/4" UF – R 1/2" IF
24	601104	4	-"	Bonded seal	Tredobricka	3/4"

<sup>1</sup>Included in Feed roller motor cmpl./ <sup>1</sup>Ingår i Matarhjulsmotor kmpl  
<sup>2</sup>Included in Feed roller motor cmpl./ <sup>2</sup>Ingår i Matarhjulsmotor kmpl

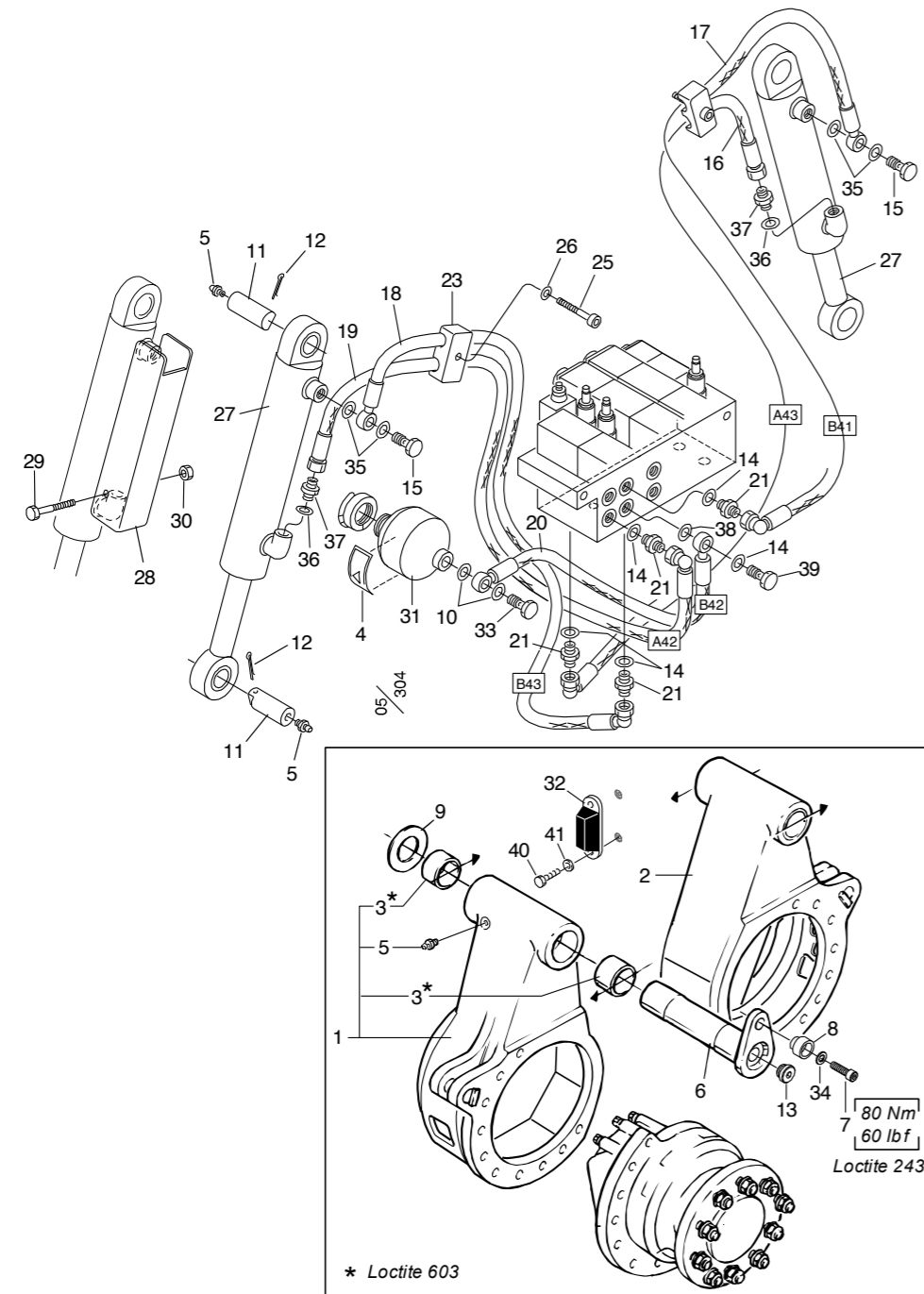


Bild 05/304	FEED ROLLER ARMS / MATARHJULSARMAR					Struktur 005509D
Item / Position	Part no/ Art nr	Qty./ Antal	Serial no/ Serienr.	Description	Beskrivning	Notes/ Anmärkning
1 <sup>1</sup>	037021	1	150398-	Feed roller arm cmpl.	Hjularm kmpl.	Right / Höger
2 <sup>2</sup>	037022	1	- " -	Feed roller arm cmpl.	Hjularm kmpl.	Left / Vänster
3	512024 <sup>1,2</sup>	4	- " -	Bushing	Bussning	50x40
4	519111	1	- " -	Decal	Dekal	
5	625000 <sup>1,2</sup>	6	- " -	Grease nipple	Smörjnippel	KR 1/8" – R
6	012746	2	- " -	Pin	Axel	Ø 50 L=213.5 mm
7	500091	2	- " -	Screw	Skruv	M6S M12x30 8.8 FZB
8	013872	2	- " -	Guide washer	Låsbricka	
9	507024	Req / Erf	- " -	Shim	Shims	52x65x0.5
	507025	Req / Erf	- " -	Shim	Shims	52x65x1.0
10	601103	2	- " -	Seal ring	Tredo	1/2"
11	011805	4	- " -	Pin	Axel	Ø 25 L=63 mm
12	516001	4	- " -	Cotter pin	Saxpinne	5x32 FZB
13	601003	1	- " -	Hex plug	Insexplugg	1/2" R
14	601102	5	- " -	Seal ring	Tredo	3/8"
15	601060	2	- " -	Banjo bolt	Banjobult	R 1/4"
16	643053	1	- " -	Hose 3053	Slang 3053	
17	643052	1	- " -	Hose 3052	Slang 3052	
18	643051	1	- " -	Hose 3051	Slang 3051	
19	643050	1	- " -	Hose 3050	Slang 3050	
20	643071	1	- " -	Hose 3071	Slang 3071	
21	601029	4	- " -	Coupling	Adapter	R 1/4" UF – R 3/8" UF
23	016465	2	- " -	Clamp	Slangklamma	1/4"
25	501072	2	- " -	Screw	Skruv	MC6S M8x35 12.9
<sup>1</sup> Included in right Roller arm cmpl./ <sup>1</sup> Ingår i höger Hjularm kmpl. <sup>2</sup> Included in left Roller arm cmpl./ <sup>2</sup> Ingår i vänster Hjularm kmpl.						

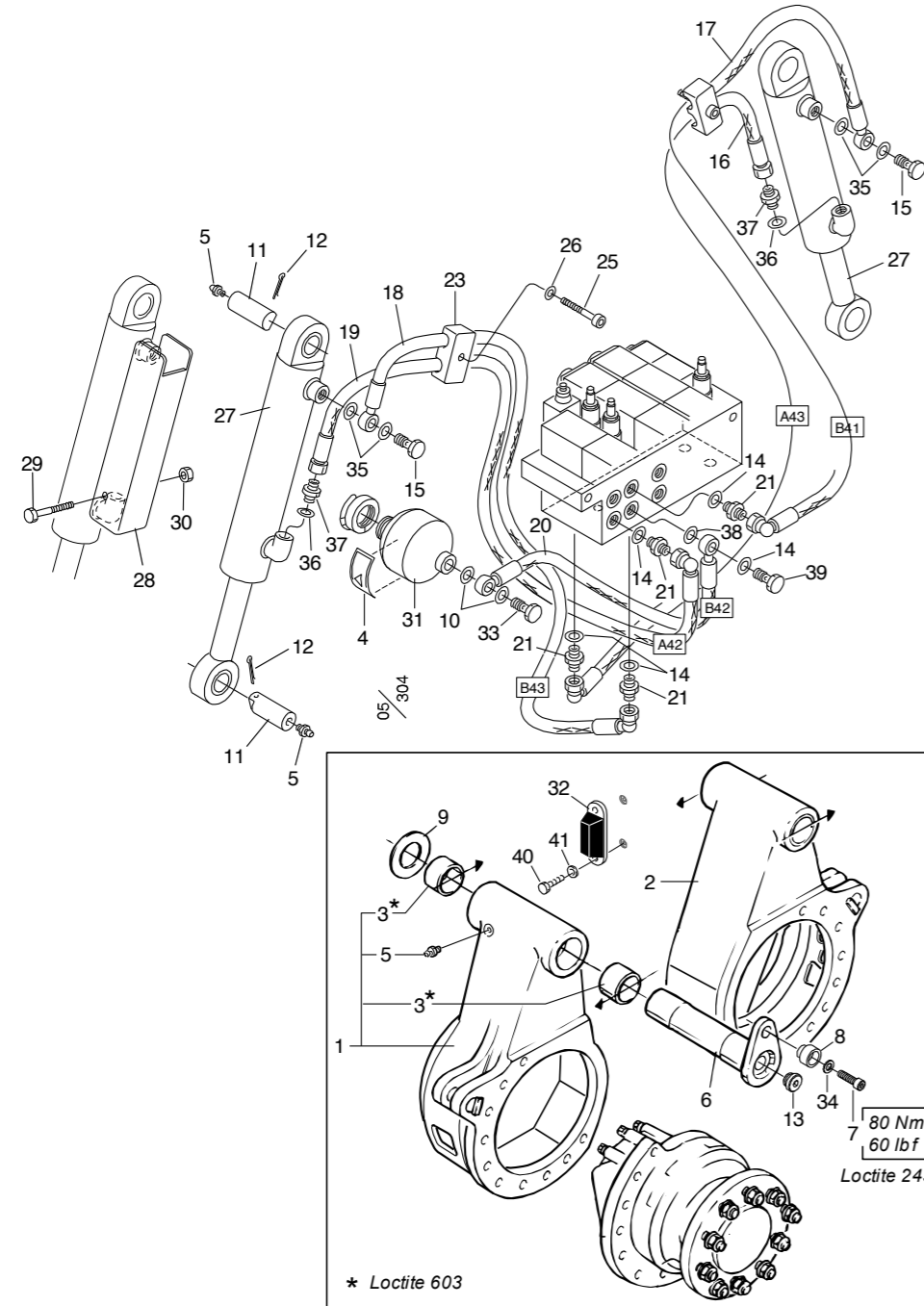


Bild 05/304	FEED ROLLER ARMS / MATARHJULSARMAR					Struktur 005509D
Item / Position	Part no/ Art nr	Qty./ Antal	Serial no/ Serienr.	Description	Beskrivning	Notes/ Anmärkning
26	503055	2	150398-	Washer	Bricka	M8 Nordlock
27	013202	2	- " -	Cylinder	Cylinder	Ø 50/32 – 150
28	012121	2	- " -	Cylinder cover	Cylinderskydd	
29	500077	2	- " -	Screw	Skruv	M6S M10x70 8.8 FZB
30	502055	2	- " -	Nut	Mutter	M10 Locking. Low / Låg
31	610130	1	- " -	Accumulator	Ackumulator	0.32 L – 0 Bar Empty / Oladdad
	610104	1	- " -	Accumulator	Ackumulator	0.32 L – 85 Bar Loaded / Laddad
32	012845	2	- " -	Rubber damper	Anslagsbuffert	
33	601062	1	- " -	Banjo bolt	Banjobult	R 1/2"
34	503060	2	- " -	Washer	Bricka	M12 Nordlock
35	601200	4	- " -	Cu-washer	Cu-bricka	13x19x1.5
36	601101	2	- " -	Seal ring	Tredo	1/4"
37	601028	2	- " -	Coupling	Adapter	R 1/4" UF – R 1/4" UF
38	602110	1	- " -	Seal ring	Tätningring	3/8"
39	601061	1	- " -	Banjo bolt	Banjobult	R 3/8"
40	500022	4	- " -	Screw	Skruv	M6S M6x14 8.8 FZB
41	503073	4	- " -	Washer	Bricka	M6 Nordlock

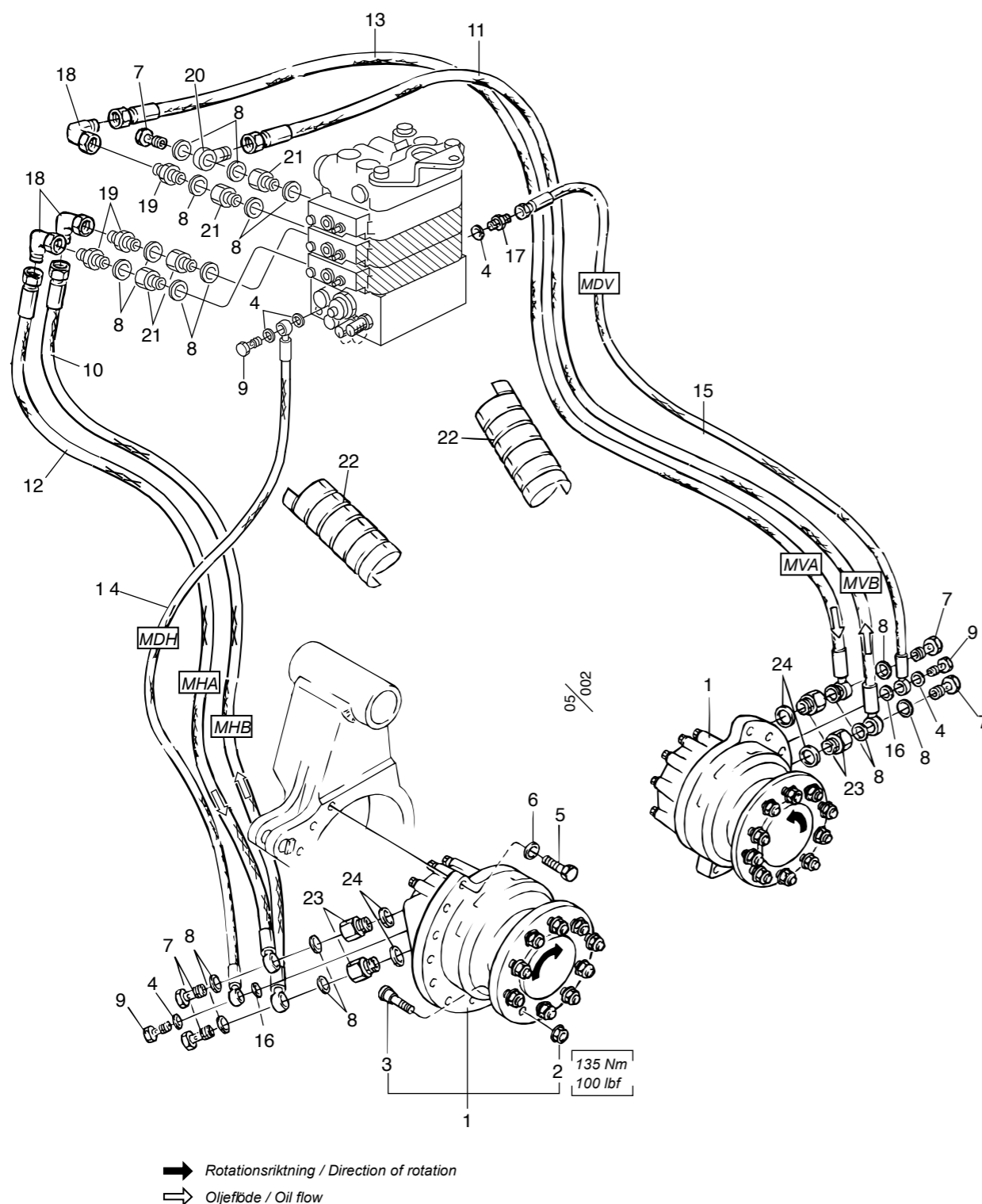
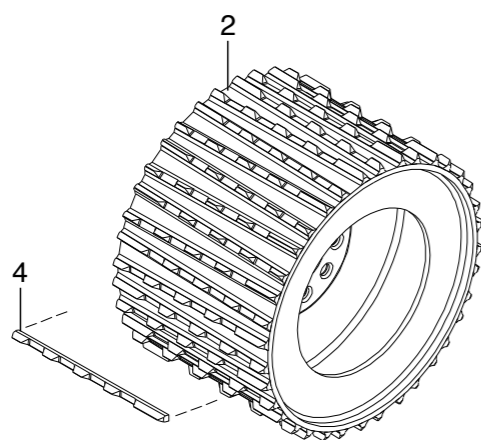
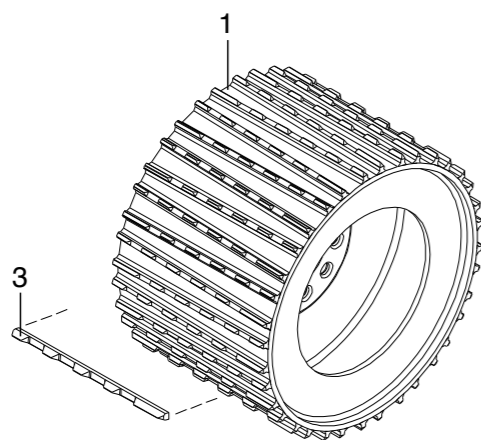


Bild 05/002	FEED ROLLER MOTORS / MATARHJULSMOTORER					Struktur 609058 035044
Item / Position	Part no/ Art nr	Qty./ Antal	Serial no/ Serienr.	Description	Beskrivning	Notes/ Anmärkning
1 <sup>1</sup>	609052	2	150398-	Hydraulic motor cmpl	Matarhjuls-motor kmpl.	560 ccm
1 <sup>2</sup>	609058	2	- " -	Hydraulic motor cmpl.	Matarhjuls-motor kmpl.	625 ccm
2	537010 <sup>1,2</sup>	20	- " -	Wheel nut	Fälgmutter	
3	635102 <sup>1,2</sup>	20	- " -	Wheel stud	Hjulbult	
4	601102	5	- " -	Seal ring	Tredo	3/8"
5	500131	20	- " -	Screw	Skruv	M6S M16x40 8.8 FZB
6	503063	20	- " -	Washer	Bricka	M16 Nordlock
7	601062	5	- " -	Banjo bolt	Banjobult	R 1/2"
8	601103	17	- " -	Seal ring	Tredo	1/2"
9	601061	3	- " -	Banjo bolt	Banjobult	R 3/8"
10	643032	1	- " -	Hose 3032	Slang 3032	
11	643083	1	- " -	Hose 3083	Slang 3083	
12	643031	1	- " -	Hose 3031	Slang 3031	
13	643034	1	- " -	Hose 3034	Slang 3034	
14	643033	1	- " -	Hose 3033	Slang 3033	
15	643036	1	- " -	Hose 3036	Slang 3036	
16	602110	2	- " -	Seal ring	Tätningring	3/8"
17	601032	1	- " -	Coupling	Adapter	R 3/8" – R 3/8"
18	602026	3	- " -	Elbow	Adapter	R 1/2" UF – IF 90
19	601036	3	- " -	Coupling	Adapter	R 1/2" UF – R 1/2" UF
20	602016	1	- " -	Banjo	Banjokropp	1/2"
21	013805	4	- " -	Coupling	Anslutnings- nippel	G 1/2" IF – 1/2" UF
22	615051	2	- " -	Hose cover	Slangskydd	2", L=600 mm
23	601053	4	- " -	Coupling	Adapter	R 3/4" UF – R 1/2" IF
24	601104	4	- " -	Seal ring	Tredo	3/4"

<sup>1</sup>Included in Hyd. Motor cmpl./ <sup>1</sup>Ingår i matarhjulsmotor kmpl  
<sup>2</sup>Included in Hyd. Motor cmpl./ <sup>2</sup>Ingår i matarhjulsmotor kmpl



05/272

Bild 05/272	<b>FEED ROLLERS, V – STEEL / MATARHJUL, V – STÅL</b>					Struktur 033582 033592
	<b>Item / Position</b>	<b>Part no/ Art nr</b>	<b>Qty./ Antal</b>	<b>Serial no/ Serienr.</b>	<b>Description</b>	
1 <sup>1</sup>	035094	2	150398-	Feed Roller V-steel	Matarhjul V-stål.	S
2 <sup>2</sup>	035095	2	- " -	Feed Roller V-steel	Matarhjul V-stål.	E
3	016636 <sup>1</sup>	Req / Erf	- " -	Bar	Ribba	S
4	016872 <sup>2</sup>	Req / Erf	- " -	Bar	Ribba	E
<sup>1</sup> Included in Feed roller V-steel S./ <sup>1</sup> Ingår i Matarhjul V-stål S. <sup>2</sup> Included in Feed roller V-steel E./ <sup>2</sup> Ingår i Matarhjul V-stål E.						



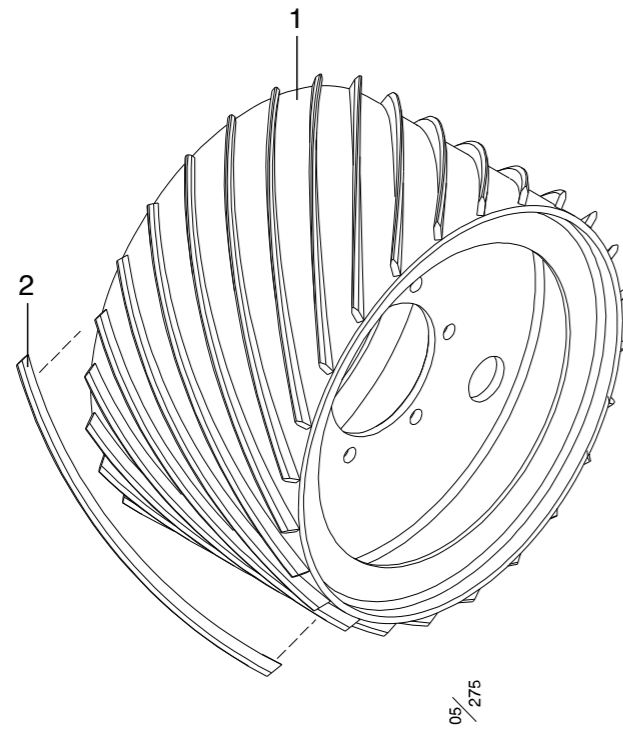


Bild 05/275		<b>FEED ROLLERS, EUCALYPTUS 45° / MATARHJUL, EUCALYPTUS 45°</b>				Struktur 033559
Item / Position	Part no/ Art nr	Qty./ Antal	Serial no/ Serienr.	Description	Beskrivning	Notes/ Anmärkning
1 <sup>1</sup>	037047	2	150398-	Feed Roller	Matarhjul	
2	010039 <sup>1</sup>	Req / Erf	- " -	Bar	Ribba	
<sup>1</sup> Included in Feed roller. / <sup>1</sup> Ingår i Matarhjul.						

**SPARE PARTS MANUAL /  
RESERVDELSMANUAL**

**Chapter Contents /  
Kapitel Innehåll**

2. Frame with protective cover /  
Ram med skyddshuv
3. Delimiting unit /  
Kvistningsenhet
4. Felling unit /  
Fällenhät
5. Feeding unit /  
Matningsenhet

**6. Saw unit /  
Sågenhet**

7. Hydraulic system /  
Hydraulsystem
8. Electrical system /  
Elsystem
9. Accessories optional equipment /  
Tillbehör

