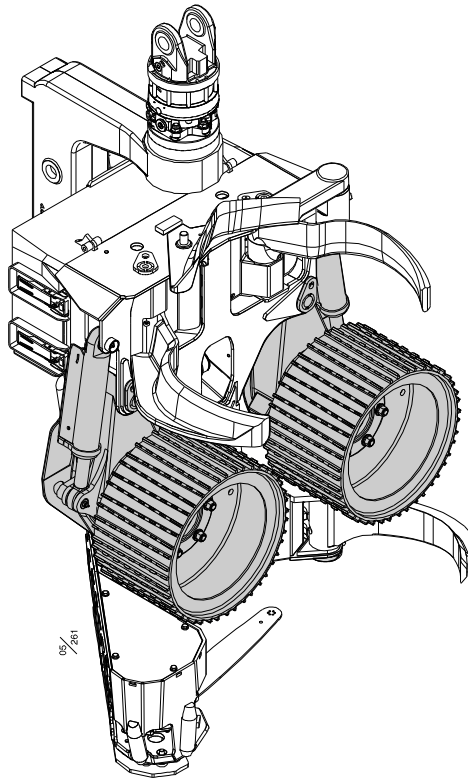


Log Max 4000B Spare parts manual / Reservdelmanual

5. Feeding unit / Matningsanordning



Log Max

Content/Innehåll

FEED ROLLER ARMS, Poclair / MATARHJULSARMAR, Poclair.....	3
FEED ROLLER ARMS, Poclair / MATARHJULSARMAR, Poclair.....	5
ROLLER MOTORS, Poclair / MATARHJULSMOTORER, Poclair	7
FEED ROLLERS, V-STEEL / MATARHJUL, V-STÅL	9

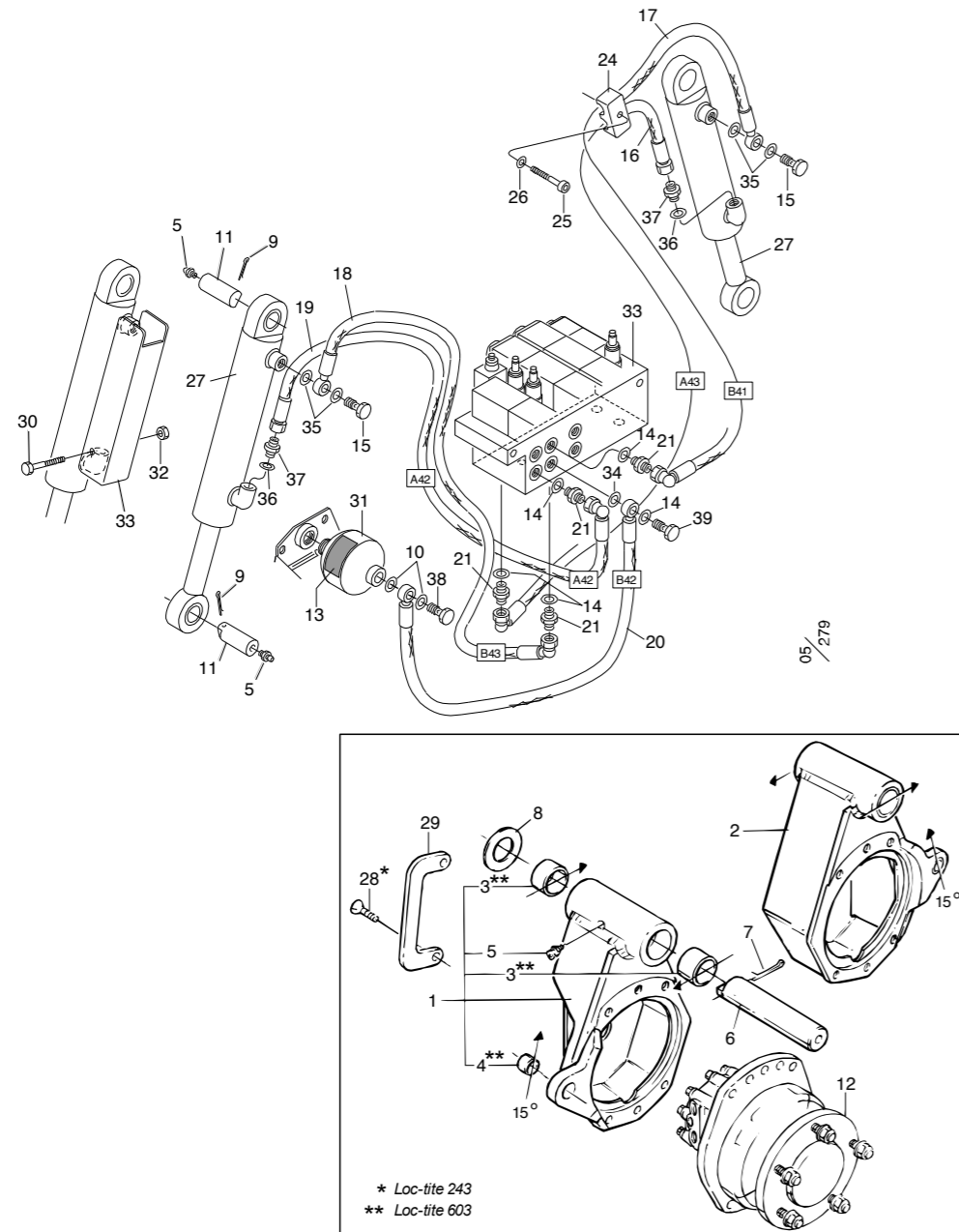


Bild 05/279	FEED ROLLER ARMS, Poclain / MATARHJULSARMAR, Poclain					
Position/ Position	Part no/ Art nr	Qty/ Antal	Serial no/ Serienr	Description	Beskrivning	Notes/ Anmärkning
1 ¹	036051	1	140000-	Right hand roller arm cpl.	Hjularm höger kpl.	
2 ¹	036050	1	- " -	Left hand roller arm cpl.	Hjularm vänster kpl.	
3	512012 ¹	4	- " -	Bushing	Bussning	Straight / Rak 35X30
4	512001 ¹	2	- " -	Bushing	Bussning	Straight / Rak 20X20
5	625000 ¹	4	- " -	Grease nipple	Smörjnippel	G 1/8"
5a	625001	2	- " -	Grease nipple	Smörjnippel	90°
6	014514	2	- " -	Pin	Axel	
7	516002	2	- " -	Split pin	Saxpinne	6.3X50
8	507002	Erf	- " -	Shims	Shims	36x45x0,5
8	507003	Erf	- " -	Shims	Shims	36x45x0,3
9	516001	4	- " -	Split pin	Saxpinne	
10	601103	2	- " -	Seal ring	Tredo	G 3/8"
11	010150	4	- " -	Pin	Axel	
12	609078	2	- " -	Motor	Hydraulmotor	398cc
13	011565	1	- " -	Decal	Dekal	
14	601102	5	- " -	Seal ring	Tredo	G 1/2"
15	601060	2	- " -	Banjo bolt	Banjobult	R 1/4"
16	644053	1	- " -	Hose 4053	Slang 4053	
17	644052	1	- " -	Hose 4052	Slang 4052	
18	644050	1	- " -	Hose 4050	Slang 4050	
19	644051	1	- " -	Hose 4051	Slang 4051	
20	644029	1	- " -	Hose 4029	Slang 4029	
21	601029	5	- " -	Coupling	Adapter	G 1/4"UF- G 3/8"UF
24	016465	1	- " -	Hose clamp	Slangklamma	1/4"
25	501072	1	- " -	Socket screw	Insexskruv	MC6S M8X35 12.9
26	503055	1	- " -	Washer	Bricka	Nordlock M8
27	015001	2	- " -	Hydraulic cylinder	Hydraulcylinder	
28	504067	4	- " -	Screw	Skruv	MF6S M12X35 10.9

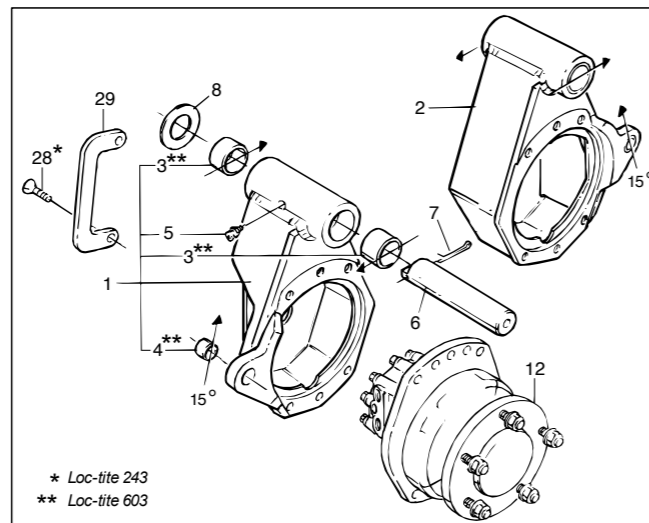
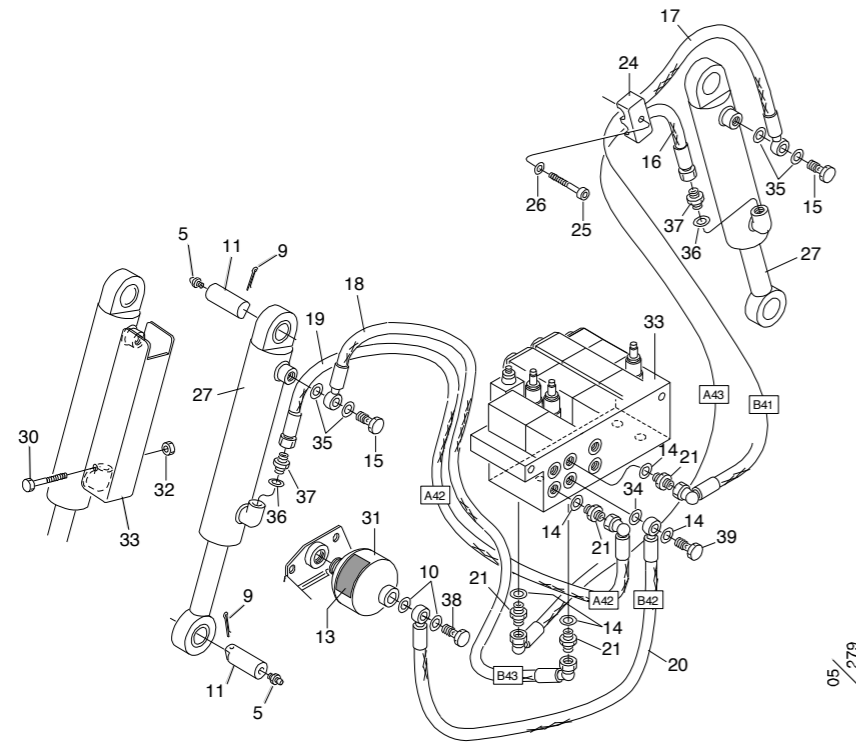


Bild 05/279	FEED ROLLER ARMS, Poclain / MATARHJULSARMAR, Poclain					
Position/ Position	Part no/ Art nr	Qty/ Antal	Serial no/ Serienr	Description	Beskrivning	Notes/ Anmärkning
29	012208	1	140000-	Bar left	Skydd vänster	
	012207	1	- " -	Bar right	Skydd höger	
30	500077	2	- " -	Screw	Skruv	M6S M10x60 8.8
31	610120	1	- " -	Accumulator	Ackumulator	0,16 L - 0 Bar EMPTY/ OLADDAD
	610114	1	- " -	Accumulator	Ackumulator	0,16 L - 85 Bar LOADED/ LADDAD
32	502055	2	- " -	Nut	Mutter	Loc M10 Low /Låg
33	014511	2	- " -	Cylinder cover	Cylinderskydd	
34	602110	1	- " -	Seal ring	Skärring	3/8 "
35	601200	6	- " -	Cu-washer	Cu-bricka	13x19x1.5
36	601101	2	- " -	Seal ring	Tredo	G 1/4"
37	601028	2	- " -	Coupling	Adapter	G 1/4"UF- G 1/4"UF
38	601062	1	- " -	Banjo bolt	Banjobult	R 1/2 "
39	601061	1	- " -	Banjo bolt	Banjobult	R 3/8 "

¹Included in rollerarms cmpl./ ¹Ingår i matarhjulssarmar kmpl.

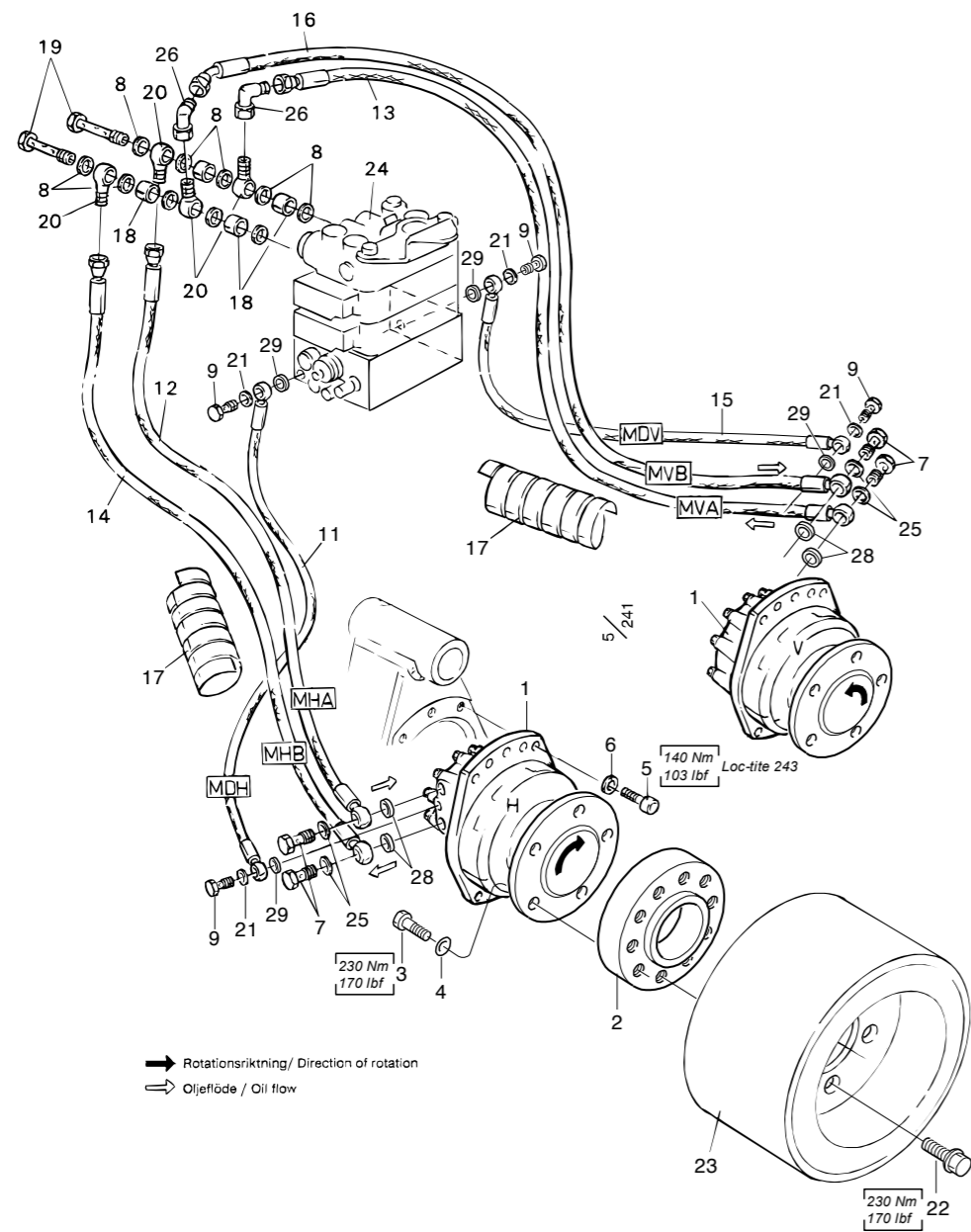
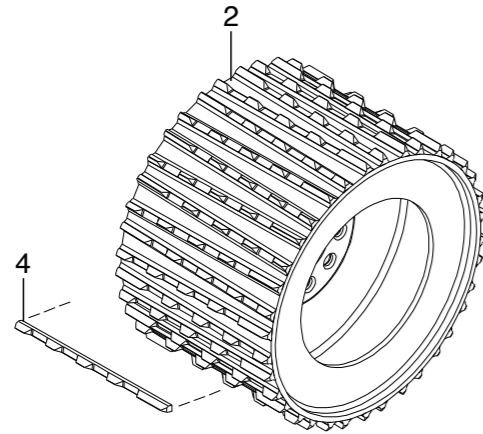
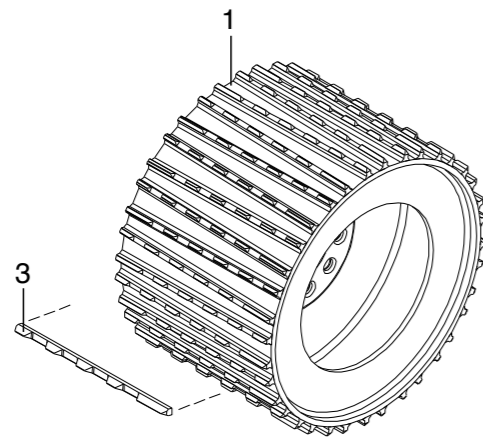


Bild 05/241	ROLLER MOTORS, Poclain / MATARHJULSMOTORER, Poclain					Struktur 005206
Position/ Position	Part no/ Art nr	Qty/ Antal	Serial no/ Serienr	Description	Beskrivning	Notes/ Anmärkning
1	609078	2	140000-	Hyd motor cml.	Matarhjuls- motor	Poclain 398cc
	613096	1	- " -	Seal kit	P-sats	
2	014355	2	- " -	Spacer	Adapterplatta	
3	500132	10	- " -	Screw	Fälgskruv Poclain	M6S M16X45 8.8
4	503063	10	- " -	Washer	Bricka	M16 Nordlock
5	501109	20	- " -	Socket screw	Insexskruv	MC6S M12X30 12.9
6	503060	20	- " -	Washer	Bricka	M12 Nordlock
7	016784	4	- " -	Banjo bolt	Banjobult	R 1/2"
8	601103	10	- " -	Seal ring	Tredo	G 1/2"
9	601061	4	- " -	Banjo bolt	Banjobult	R 3/8"
11	644055	1	- " -	Hose 4055	Slang 4055	
12	644056	1	- " -	Hose 4056	Slang 4056	
13	644059	1	- " -	Hose 4059	Slang 4059	
14	644057	1	- " -	Hose 4057	Slang 4057	
15	644054	1	- " -	Hose 4054	Slang 4054	
16	644058	1	- " -	Hose 4058	Slang 4058	
17	615051	2	- " -	Hose cover	Slangskydd	550 mm
18	012477	3	- " -	Spacer	Distansring	
19	012476	2	- " -	Banjo bolt	Banjobult	G1/2"Long/lång
20	602016	4	- " -	Banjo body	Banjokropp	G 1/2"
21	601102	4	- " -	Seal ring	Tredo	G 3/8"
22	013153	10	- " -	Bolt	Hjulbult	
23	041045	2	- " -	Roller wheel	Matarhjul	Flexdrive
24	611094	1	- " -	Valve L-90	Ventil L-90	
25	601204	4	- " -	Cu-washer	Cu-bricka	21x27x1.5
26	602026	2	- " -	Elbow	Vinkel	G 1/2" UF-IF 90
28	602113	4	- " -	Seal ring	Skärring	1/2"
29	602110	4	- " -	Seal ring	Skärring	3/8"



05/272

Bild 05/272	FEED ROLLERS, V-STEEL / MATARHJUL, V-STÅL						
	Position/ Position	Part no/ Art nr	Qty/ Antal	Serial no/ Serienr	Description	Beskrivning	Notes/ Anmärkning
	1 ¹	041094	1	140000-	Feed rollers V-steel	Matarhjul V-stål	"S" Skonsam / Regular
	2 ²	041093	1	- " -	Feed rollers V-steel	Matarhjul V-stål	"E" Aggressiv / Aggressive
	3	016605 ¹	Erf.	- " -	Bar	Ribba	"S" Skonsam / Regular
	4	016822 ²	Erf.	- " -	Bar	Ribba	"E" Aggressiv / Aggressive
¹ Included in Feed roller V-steel S./ ¹ Ingår i Matarhjul V-stål S.							
² Included in Feed roller V-steel E./ ² Ingår i Matarhjul V-stål E.							

**SPARE PARTS MANUAL /
RESERVDELSMANUAL**

**Chapter Contents /
Kapitel Innehåll**

2. Frame with protective cover /
Ram med skyddshuv
3. Delimiting unit /
Kvistanordning
4. Felling unit /
Fällanordning
5. Feeding unit /
Matningsanordning

**6. Saw unit /
Sågenhet**

7. Hydraulic system /
Hydraulsystem
8. Electrical system /
Elsystem
9. Accessories. optional equipment /
Tillbehör

