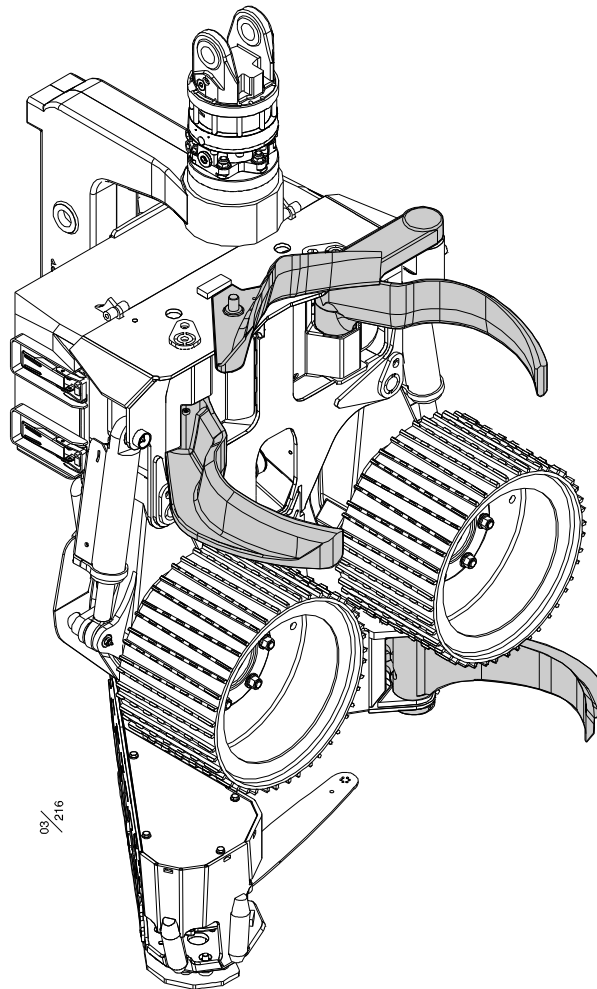


Log Max 5000D

Spare parts manual / Reservdelsmanual

3. Delimiting unit / Kvistningsenhet



03 / 216

Log Max

Contents / Innehåll

Delimiting unit / Kvistningsenhet.....	3
Lower delimiting knife / Nedre kvistkniv.....	5
Upper delimiting knife, Analog knife sensor / Övre kvistkniv, Analog knivsensor	7
Upper delimiting knife, Digital knife sensor / Övre kvistkniv, Digital knivsensor	9

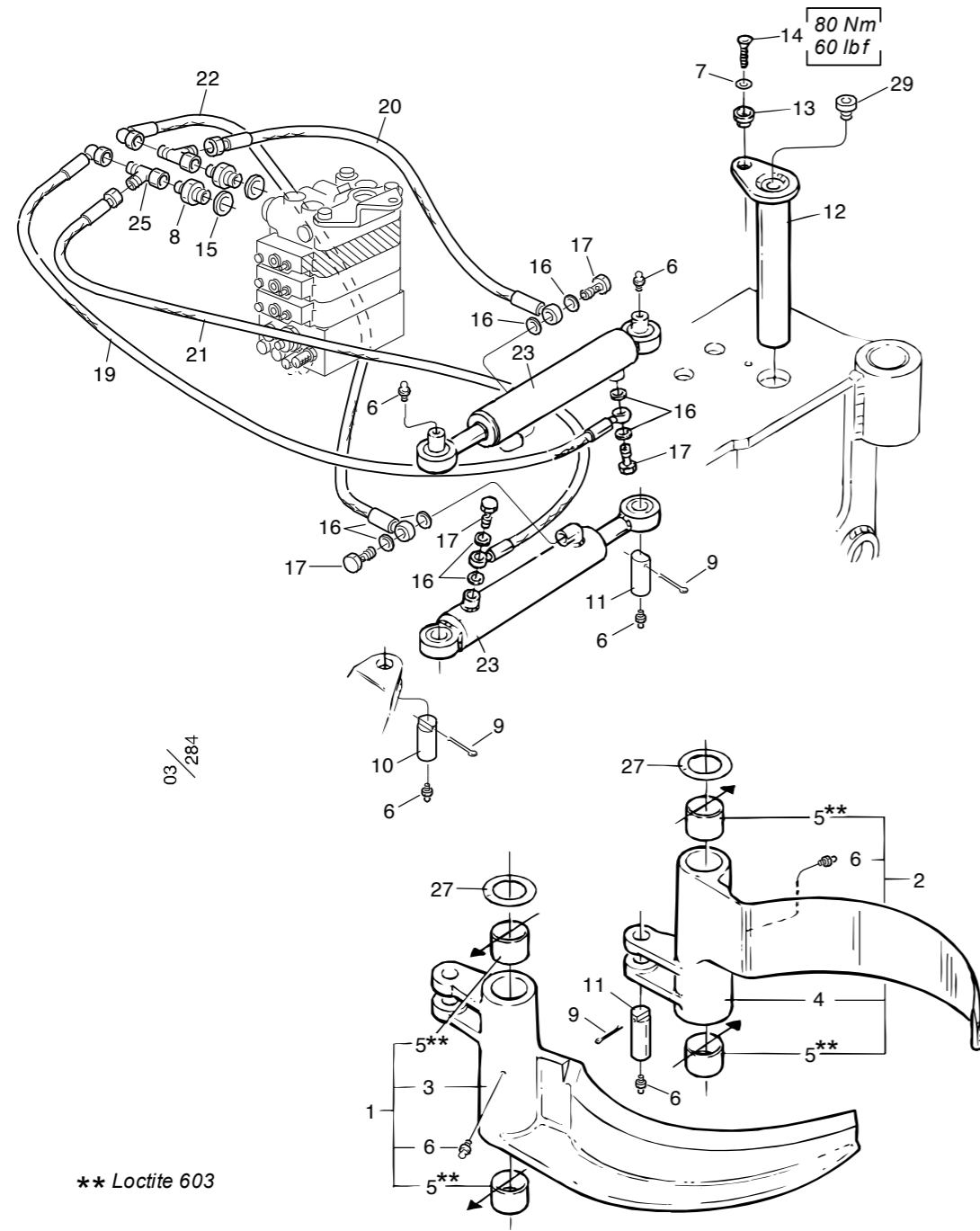


Bild 03/218	DELIMBING UNIT / KVISTNINGSENHET					Struktur 005501D
Item / Position	Part no/ Art nr	Qty./ Antal	Serial no/ Serienr.	Description	Beskrivning	Notes/ Anmärkning
1 ¹	035033	1	150398-	Knife cmpl	Kvistkniv kmpl.	Right / Höger
2 ²	035032	1	- " -	Knife cmpl	Kvistkniv kmpl	Left / Vänster
3	013096 ¹	1	- " -	Knife	Kniv	Right / Höger
4	013095 ²	1	- " -	Knife	Kniv	Left / Vänster
5	512024 ^{1, 2}	4	- " -	Bushing	Bussning	50x40
6	625000 ^{1, 2}	6	- " -	Grease nipple	Smörjnippel	KR 1/8" – R
7	503060	2	- " -	Washer	Bricka	M12 Nordlock
8	601030	2	- " -	Coupling	Adapter	R 1/4" UF – R 1/2" UF
9	516001	4	- " -	Cotter pin	Saxpinne	5x30 FZB
10	011805	2	- " -	Pin	Axel	Ø 25 L=63 mm
11	011806	2	- " -	Pin	Axel	Ø 25 L=75 mm
12	012741	2	- " -	Pin	Axel	Ø 50 L=276 mm
13	013872	2	- " -	Guide washer	Låsbricka	
14	500091	2	- " -	Screw	Skruv	M6S M12x30 8.8 FZB
15	601103	2	- " -	Seal ring	Tredo	1/2"
16	601200	8	- " -	Seal ring	Cu-bricka	13x19x1.5
17	601060	4	- " -	Banjo bolt	Banjobult	R 1/4"
19	643044	1	- " -	Hose 3044	Slang 3044	
20	643045	1	- " -	Hose 3045	Slang 3045	
21	643047	1	- " -	Hose 3047	Slang 3047	
22	643046	1	- " -	Hose 3046	Slang 3046	
23	013202	2	- " -	Cylinder	Cylinder	Ø 50/32 – 150
25	601010	2	- " -	T-coupling	T-adapter	R 1/4" UF – UF-
27	507024	Req / Erf	- " -	Shim	Shims	52x65x0.5
27	507025	Req / Erf	- " -	Shim	Shims	52x65x1.0
29	601003	2	- " -	Hex plug	Insexplugg	1/2" R

¹Included in right Delimbing knife cmpl. / ¹Ingår i höger Kvistkniv kmpl.
²Included in left Delimbing knife cmpl. / ²Ingår i vänster Kvistkniv kmpl.

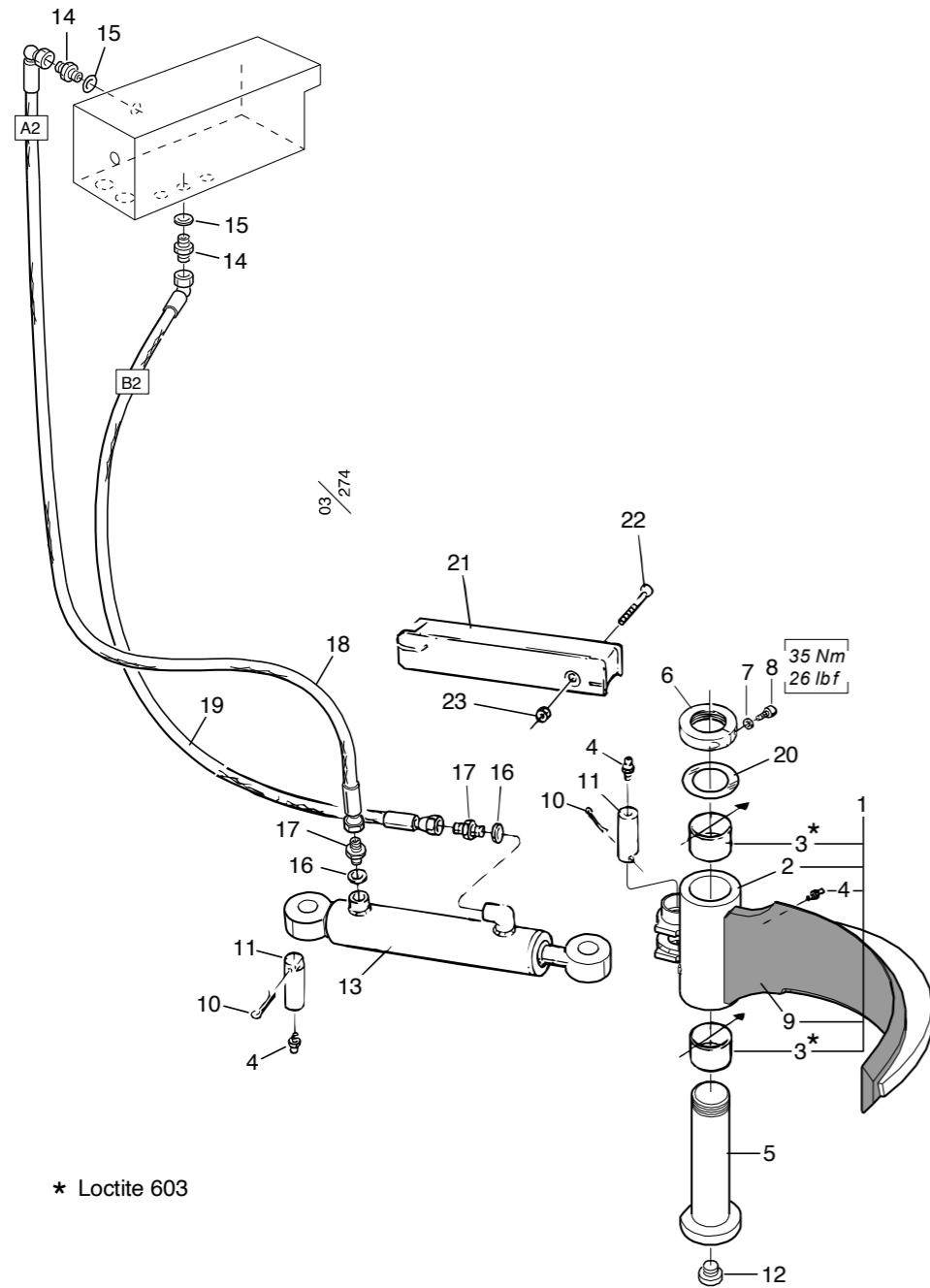


Bild 03/274	LOWER DELIMITING KNIFE / NEDRE KVISTKNIV					Struktur 005502D
Item / Position	Part no/ Art nr	Qty./ Antal	Serial no/ Serienr.	Description	Beskrivning	Notes/ Anmärkning
1 ¹	035115	1	150398-	Delimiting knife cpl.	Kvistkniv kpl.	
2	016340 ¹	1	- " -	Delimiting knife	Kvistkniv	
3	512024 ¹	2	- " -	Bushing	Bussning	50x40
4	625000 ¹	3	- " -	Grease nipple	Smörjnippel	R 1/8" – R
5	017051	1	- " -	Pin	Axel	Ø 50 L=222 mm
6	016160	1	- " -	Threaded ring	Axelmutter	M45x2
7	503065	1	- " -	Washer	Bricka	M6 Nordlock
8	501046	1	- " -	Screw	Skruv	MC6S M6x20 12.9
9	016339 ¹	1	- " -	Knife edge	Knivskär	
10	516001	2	- " -	Cotter pin	Saxpinne	5x32 FZB
11	011805	2	- " -	Pin	Axel	Ø 25 L=63 mm
12	601003	1	- " -	Hex plug	Insexplugg	1/2" R
13	016345	1	- " -	Hydraulic cylinder	Hydraulcylinder	Ø 50/32 – 150
14	601029	2	- " -	Coupling	Adapter	R 1/4" UF – R 3/8" UF
15	601102	2	- " -	Seal ring	Tredo	3/8"
16	601101	2	- " -	Seal ring	Tredo	1/4"
17	601028	2	- " -	Coupling	Adapter	R 1/4" UF – R 1/4" UF
18	643043	1	- " -	Hose 3043	Slang 3043	
19	643042	1	- " -	Hose 3042	Slang 3042	
20	507024	Req / Erf	- " -	Shim	Shims	52x65x0.5
20	507025	Req / Erf	- " -	Shim	Shims	52x65x1.0
21	012121	1	- " -	Cover	Skydd	
22	500077	1	- " -	Screw	Skruv	M6S M10x70 8.8 FZB
23	502055	1	- " -	Nut	Mutter	M10 Locking Low / Låg

¹Included in Delimiting knife cpl. / ¹Ingår i Kvistkniv kpl.

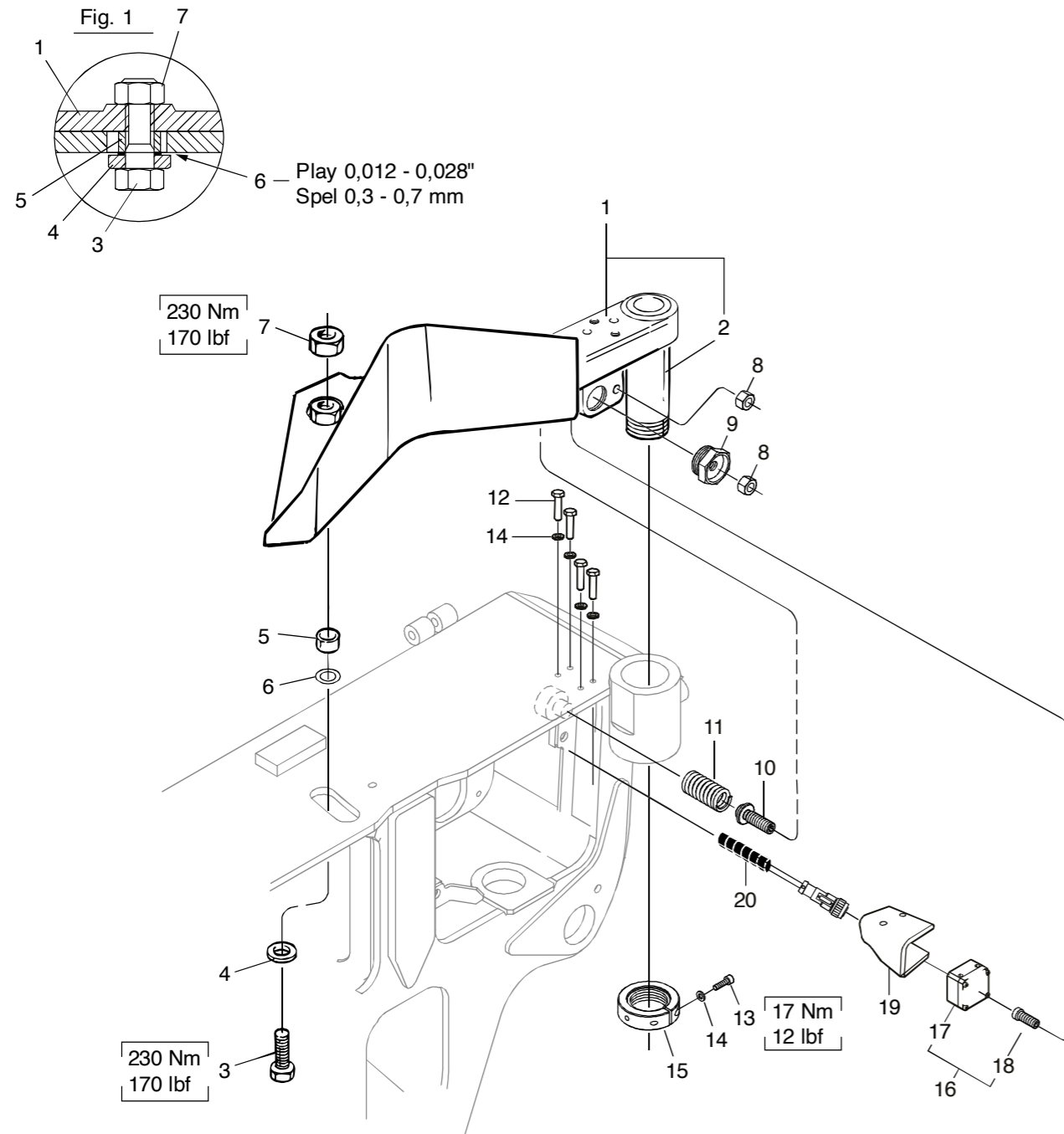


Bild 03/033	UPPER DELIMBING KNIFE, ANALOG KNIFE SENSOR / ÖVRE KVISTKNIV, ANALOG KNIVSENSOR					Struktur 006703-2
Item / Position	Part no/ Art nr	Qty./ Antal	Serial no/ Serienr.	Description	Beskrivning	Notes/ Anmärkning
1 ¹	035120	1	150427-	Delimbing knife cmpl.	Kvistkniv kmpl.	
2	016192 ¹	1	- " -	Pin	Axel	Ø 50 L=166 mm
3	505052	1	- " -	Screw	Skruv	M6S M20x60 10.9
4	010652	1	- " -	Washer	Bricka	
5	012232	1	- " -	Spacer	Distans	
6	507006	Req / Erf	- " -	Shim	Shims	20x28x1.0
	507007	Req / Erf	- " -	Shim	Shims	20x28x0.5
7	502060	1	- " -	Nut	Mutter	M20 Locking
8	502701	2	- " -	Nut	Mutter	M12x1.25
9	017843	1	- " -	Plug	Plugg	M28x2
10	017845	1	- " -	Adjuster screw	Spännskruv	M12x1.25
11	526010	1	- " -	Spring	Fjäder	
12	500023	4	- " -	Screw	Skruv	M6S M6x16 8.8 FZB
13	501046	1	- " -	Screw	Skruv	MC6S M6x20 12.9
14	503065	5	- " -	Washer	Bricka	M6 Nordlock
15	016160	1	- " -	Threaded ring	Axelmutter	M45x2
16 ²	401289	1	- " -	Magnetic sensor cmpl.	Magnetgivare kmpl.	
17	401288 ²	1	- " -	Magnetic sensor	Magnetgivare	
18	514054 ²	1	- " -	Magnetic screw	Magnetskruv	
19	018395	1	- " -	Protective plate	Skyddsplåt	
20	615047	1	- " -	Hose cover	Skyddsslang	10x6.7 0.26 M

¹Included in Delimbing knife cmpl./¹Ingår i Kvistkniv kmpl.
²Included in Magnetic sensor cmpl. /²Ingår i Magnetgivare kmpl.

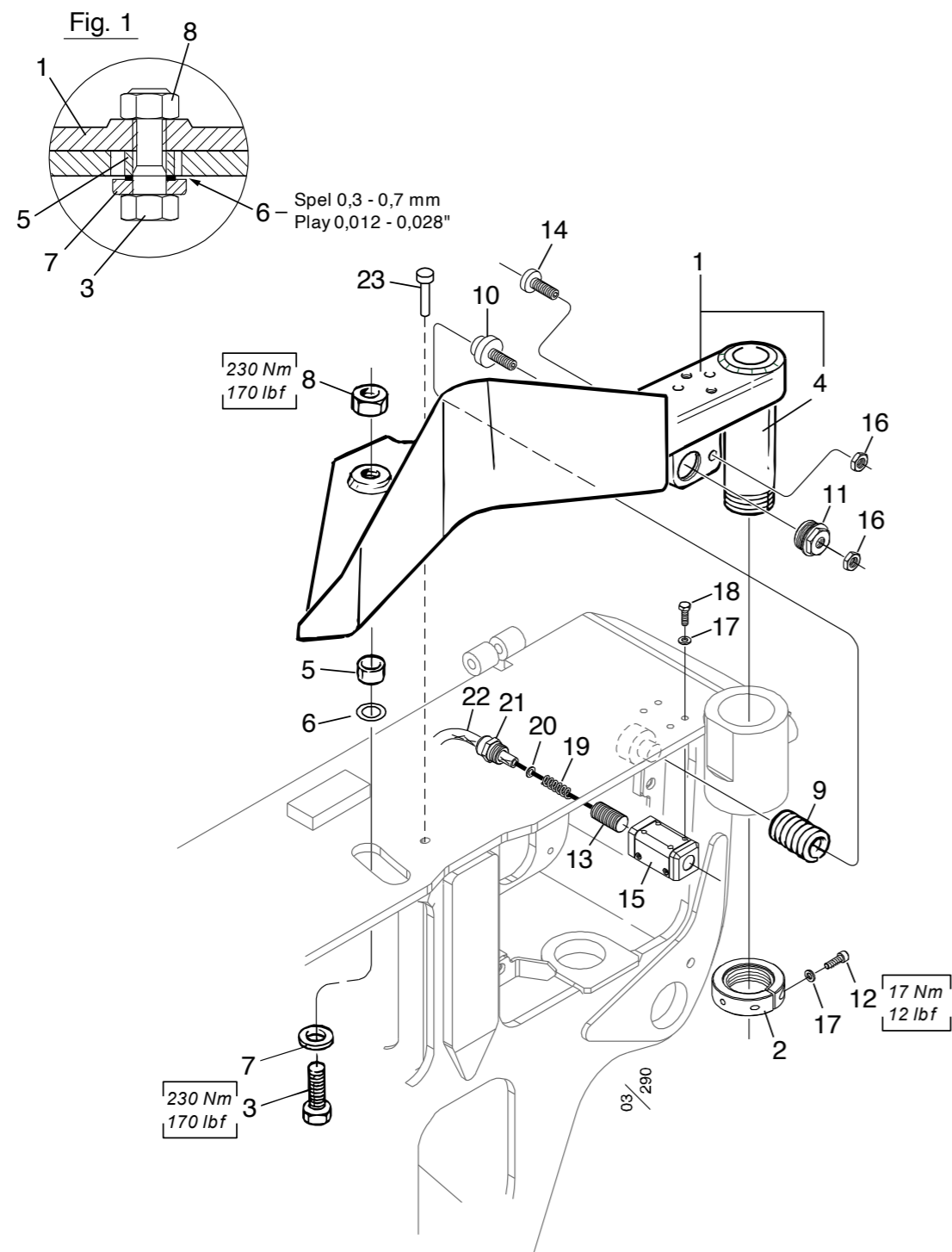


Bild 03/290	UPPER DELIMBING KNIFE, DIGITAL KNIFE SENSOR / ÖVRE KVISTKNIV, DIGITAL KNIVSENSOR					Struktur 005503D-2 037028-2
	Only with IT/PC / Endast med IT/PC					
Item / Position	Part no/ Art nr	Qty./ Antal	Serial no/ Serienr.	Description	Beskrivning	Notes/ Anmärkning
1 ¹	035120	1	150398-	Delimbing knife cmpl.	Kvistkniv kmpl.	
2	016160	1	-"	Threaded ring	Axelmutter	M45x2
3	505052	1	-"	Screw	Skruv	M6S M20x60 10.9
4	016192 ¹	1	-"	Pin	Axel	Ø 50 L=166 mm
5	012232	1	-"	Spacer	Distans	
6	507006	Req / Erf	-"	Shim	Shims	20x28x1.0
	507007	Req / Erf	-"	Shim	Shims	20x28x0.5
7	010652	1	-"	Washer	Bricka	
8	502060	1	-"	Nut	Mutter	M20 Locking Low / Låg
9	526010	1	-"	Spring	Fjäder	
10	017845	1	-"	Adjuster screw	Spännskruv	M12x1.25
11	017843	1	-"	Plug	Plugg	M28x2
12	501046	1	-"	Screw	Skruv	MC6S M6x20 12.9
13 ²	013007	1	-"	Magnetic sensor cmpl.	Magnetgivare kmpl.	
14	016076	1	-"	Magnetic screw	Magnetskruv	M12
15	016929	1	-"	Sensor holder	Sensorhållare	Ø 10.8
16	502701	2	-"	Nut	Mutter	M12x1.25
17	503065	5	-"	Washer	Bricka	M6 Nordlock
18	500023	4	-"	Screw	Skruv	M6S M6x16 8.8 FZB
19	526015 ²	1	-"	Spring	Fjäder	
20	503004	1	-"	Washer	Bricka	6.4x12x1.5 FZB
21	401152	1	-"	Cable sleeve	Kabelförskruvning	M20x1.5
22	615019	1	-"	Hose	Slang	Ø 8 mm L=260 mm
23	500046	1	-"	Screw	Skruv	M6S M8x30 8.8 FZB

¹Included in Delimbing knife cmpl. / ¹Ingår i Kvistkniv kmpl.

²Included in Magnetic sensor cmpl. / ²Ingår i Magnetgivare kmpl.

**SPARE PARTS MANUAL /
RESERVDELSMANUAL**

**Chapter Contents /
Kapitel Innehåll**

2. Frame with protective cover /
Ram med skyddshuv
3. Delimiting unit /
Kvistningsenhet

**4. Felling unit /
Fällenhät**

5. Feeding unit /
Matningsenhet
6. Saw unit /
Sågenhet
7. Hydraulic system /
Hydraulsystem
8. Electrical system /
Elsystem
9. Accessories optional equipment /
Tillbehör

