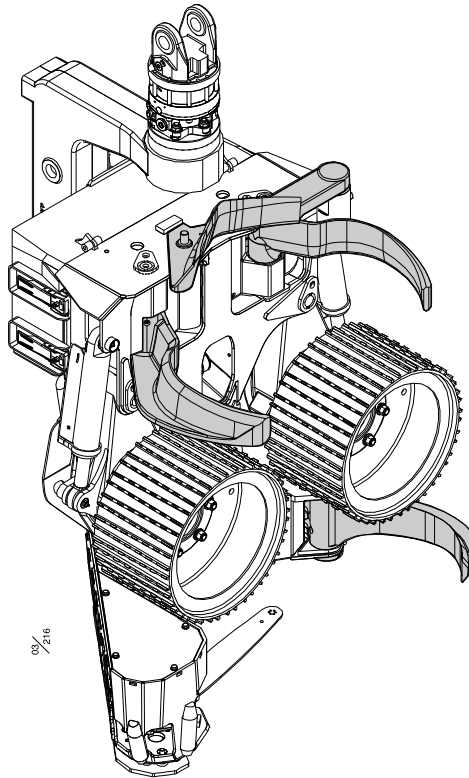


Log Max 4000B

Spare parts manual / Reservdelsmanual

3. Delimiting unit / Kvistanordning



Log Max

Content/Innehåll

DELIMBING UNIT / KVISTANORDNING	3
LOWER KNIFE / NEDRE KNIV	5
UPPER KNIFE / ÖVRE KVISTKNIV	7

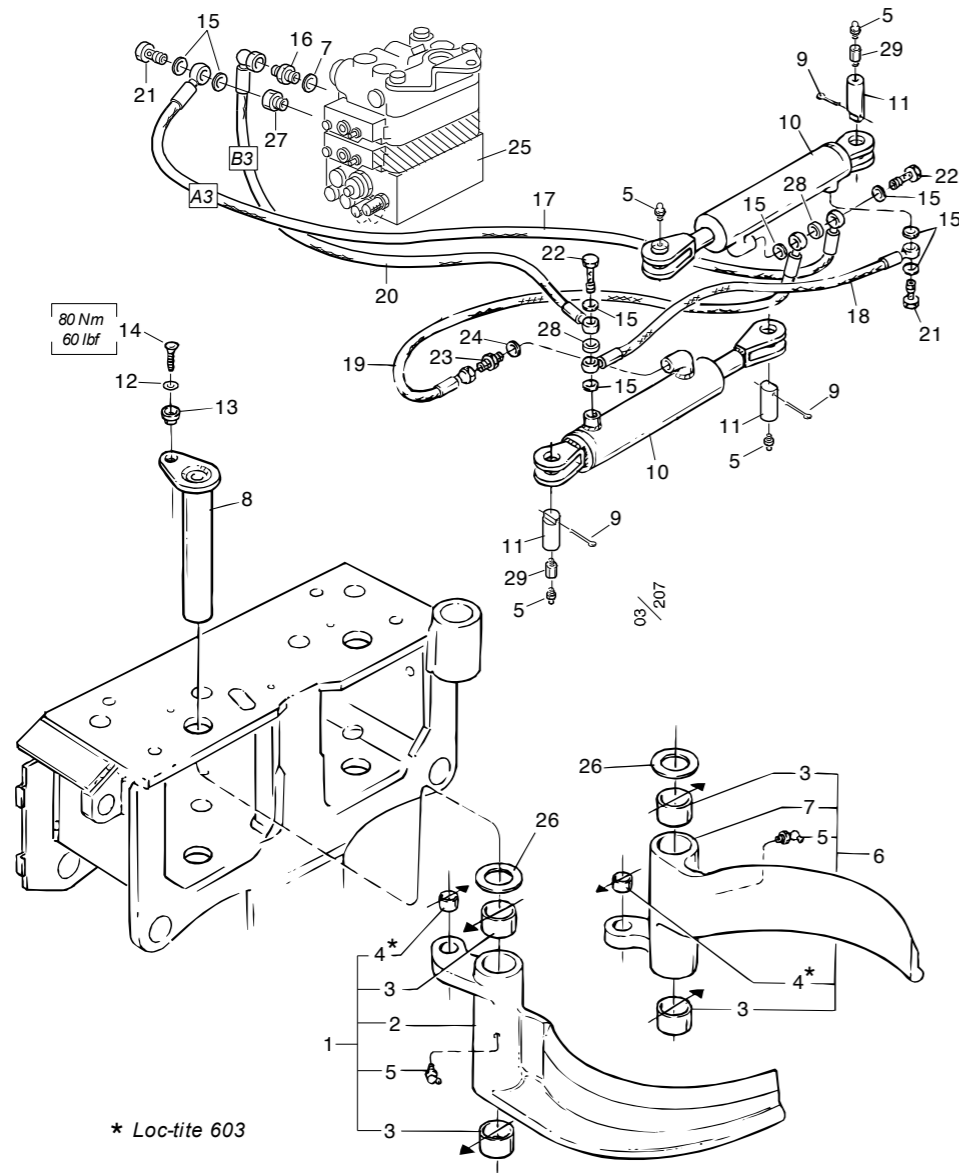


Bild 03/207	DELIMITING UNIT / KVISTANORDNING					
Position/ Position	Part no/ Art nr	Qty/ Antal	Serial no/ Serienr	Description	Beskrivning	Notes/ Anmärkning
1 ¹	036014	1	140000-	Knife R.H. compl.	Kvistkniv höger kompl.	
2 ¹	1	1	- " -	Knife	Knivämne	S.E.S
3	512012	4	- " -	Bushing	Bussning	WB 35x30
4	512001	2	- " -	Bushing	Bussning	WB 20x20
5	625000 ¹	6	- " -	Grease nipple	Smörjnippel	G 1/8"-r
6	036013	1	- " -	Knife Left, compl.	Kvistkniv vänster, kompl.	G 1/8"
7	601103	1	- " -	Seal ring	Tredo	G 1/2"
8	014515	2	- " -	Pin	Axel	
9	516001	4	- " -	Split pin	Saxpinne	
10	012423	2	- " -	Hydraulic cylinder	Hydraulcylinder	
11	010150	4	- " -	Pin	Axel	
12	503060	2	- " -	Washer	Bricka	Nordlock M12
13	013872	2	- " -	Guide washer	Låsbricka	
14	500091	2	- " -	Screw	Skruv	M6S M12x30 8.8
15	601200	8	- " -	Cu-washer	Cu-bricka	13X19X1.5
16	601030	1	- " -	Coupling	Adapter	G1/4"UF- G1/2"UF
17	644041	1	- " -	Slang 4041	Slang 4041	
18	644060	1	- " -	Slang 4060	Slang 4060	
19	644061	1	- " -	Slang 4061	Slang 4061	
20	644042	1	- " -	Slang 4042	Slang 4042	
21	601060	2	- " -	Banjo bolt	Banjobult	R 1/4"
22	601065	2	- " -	Banjo bolt	Banjobult	R 1/4"
23	601028	1	- " -	Coupling	Adapter	G 1/4"UF-G 1/4"UF
24	601101	1	- " -	Seal ring	Tredo	G 1/4"
25	611094	1	- " -	Valve L-90	Ventil L-90	
26	507002	Erf	- " -	Shims	Shims	36x45x0,5
26	507003	Erf	- " -	Shims	Shims	36x45x0,3
27	602059	1	- " -	Coupling	Adapter	G1/2"-G1/4" UF-IF
28	602114	2	- " -	Seal ring	Skärring	1/4"
29	625012	2	- " -	Adaptor	Förlängning	25mm

¹Included in delimiting knife left/right/ ¹Ingår i kvistkniv vänster/höger.

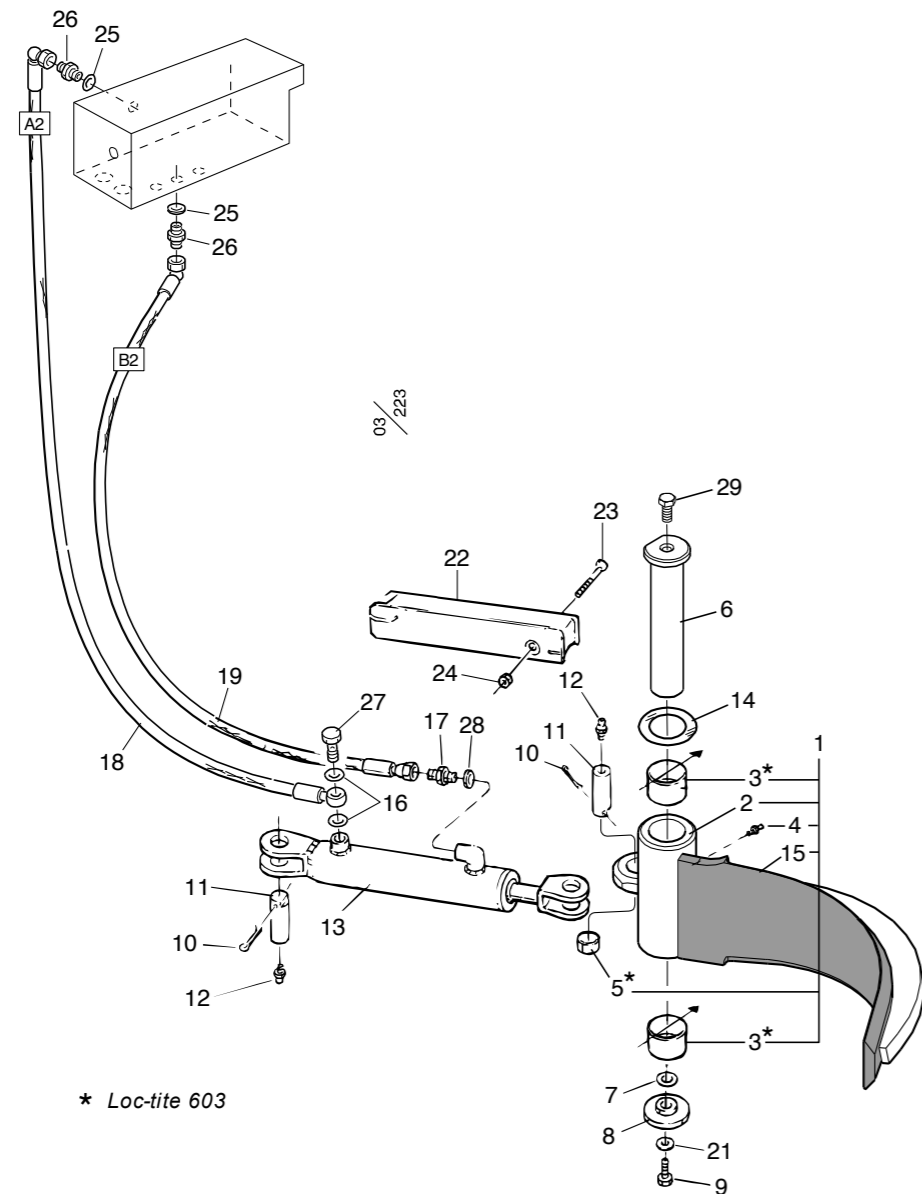


Bild 03/223	LOWER KNIFE / NEDRE KNIV					
Position/ Position	Part no/ Art nr	Qty/ Antal	Serial no/ Serienr	Description	Beskrivning	Notes/ Anmärkning
1 ¹	041017	1	140000-	B. knife compl.	N. kniv. Kompl.	
2	1	1	-"	Knife	Knivämne	
3	512012 ¹	2	-"	Bushing	Bussning	35X30
4	625000 ¹	1	-"	Grease nipple	Smörjnippel	G 1/8"
5	512003 ¹	1	-"	Bushing	Bussning	20X20
6	012534	1	-"	Pin	Axel	
7	507030	erf	-"	Shims	Shims	12X18X1.0
	507031	erf	-"	Shims	Shims	12X18X0.5
8	012535	1	-"	Washer	Bricka	
9	500091	1	-"	Screw	Skruv	M6S M12x30 8.8
10	516001	2	-"	Split pin	Saxpinne	5X32
11	010150	2	-"	Pin	Axel	
12	625000	2	-"	Grease nipple	Smörjnippel	G 1/8"
13	012423	1	-"	Cylinder	Hydraulcylinder	
14	507002	Erf	-"	Shims	Shims	36x45x0,5
14	507003	Erf	-"	Shims	Shims	36x45x0,3
15	015176 ¹	1	-"	Knife edge	Knivskär	
16	601200	2	-"	Cu-washer	Cu-bricka	13X19X1.5
17	601028	1	-"	Coupling	Adapter	G 1/4"UF- G 1/4"UF
18	644040	1	-"	Hose 4040	Slang 4040	
19	644039	1	-"	Hose 4039	Slang 4039	
20	013868	1	-"	Manifold L.H.	Ventiblock vänster	
21	503060	1	-"	Washer	Bricka	M12
22	013047	1	-"	Cover	Cylinderskydd	
23	500077	1	-"	Screw	Skruv	M6S M10x70 8.8
24	502055	1	-"	Nut	Mutter	Loc MJ10 Low /Låg
25	601102	2	-"	Seal ring	Tredo	G 3/8"
26	601029	2	-"	Coupling	Adapter	G 1/4"- G 3/8"UF
27	601060	1	-"	Banjo bolt	Banjobult	R 1/4"
28	601101	1	-"	Seal ring	Tredo	1/4"
29	500087	1	-"	Screw	Skruv	M6S M12X16 8.8 FZB

¹Included in B. Knife compl./ ¹Ingår i N. Kniv kompl.

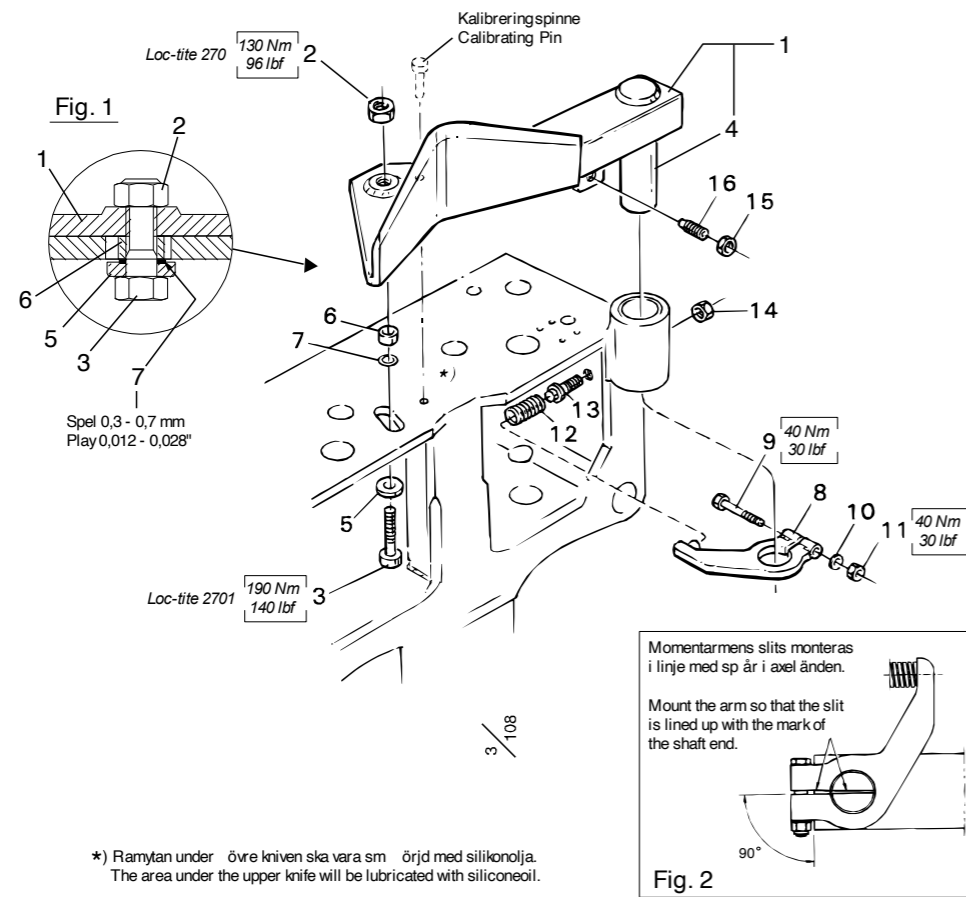


Bild 03/108	UPPER KNIFE / ÖVRE KVISTKNIV					
Position/ Position	Part no/ Art nr	Qty/ Antal	Serial no/ Serienr	Description	Beskrivning	Notes/ Anmärkning
1	036018	1	140000-	Upper knife	Övre kvistkniv	
2	502060	1	- " -	Nut	Mutter	Loc M20
3	505052	1	- " -	Screw	Skruv	M6S M20x60 10.9
4	012549	1	- " -	Pin	Axel	
5	010652	1	- " -	Washer	Bricka	
6	012232	1	- " -	Spacer	Distanshylsa	
7	507006	erf.	- " -	Shims	Shims	20x28x1.0
	507007	erf.	- " -	Shims	Shims	20x28x0.5
8	012531	1	- " -	Arm	Momentarm	
9	505037	1	- " -	Screw	Skruv	M6S M10x70 10.9
10	503007	1	- " -	Washer	Bricka	10x18x2.0
11	502055	1	- " -	Nut	Mutter	Loc M10
12	526008	1	- " -	Spring	Tryckfjäder	
13	011810	1	- " -	Adjuster screw	Justerskruv	
14	502708	1	- " -	Nut	Mutter	M12x1.25 High /Hög
15	502701	1	- " -	Nut	Mutter	M12x1.25
16	016076	1	- " -	Magnet screw	Magnetskruv	

**SPARE PARTS MANUAL /
RESERVDELSMANUAL**

**Chapter Contents /
Kapitel Innehåll**

2. Frame with protective cover /
Ram med skyddshuv
3. Delimiting unit /
Kvistanordning

**4. Felling unit /
Fällanordning**

5. Feeding unit /
Matningsanordning
6. Saw unit /
Sågenhet
7. Hydraulic system /
Hydraulsystem
8. Electrical system /
Elsystem
9. Accessories. optional equipment /
Tillbehör

